

BQ21061EVM Evaluation Module

This user's guide provides detailed testing instructions for the BQ21061 evaluation module (EVM). Also included are descriptions of the necessary equipment, equipment setup, procedures, the printed-circuit board layouts, schematics, and the bill of materials (BOM).

Throughout this user's guide, the abbreviations *EVM*, *BQ21061EVM*, and the term *evaluation module* are synonymous with the BQ21061 evaluation module, unless otherwise noted.

Contents

1	Introduction	2
	1.1 EVM Features	2
	1.2 I/O Descriptions	2
2	Test Summary	4
	2.1 Equipment	4
	2.2 Charge Mode	5
	2.3 Ship Mode	6
	2.4 Warning	6
	2.5 Comparison Table	6
3	Board Layouts, Schematics, and Bill of Materials	7
	3.1 Board Layouts	7
	3.2 Schematics	12
	3.3 Bill of Materials	15

List of Figures

1	BQ21061EVM Connections	3
2	Connections for Test Setup	5
3	BQStudio Software Tool	6
4	Top Overlay	7
5	Top Layer	7
6	Signal Layer 1	8
7	Signal Layer 2	8
8	Bottom Layer	9
9	Bottom Overlay	9
10	Top Solder Mask	10
11	Bottom Solder Mask	10
12	Drill Drawing	11
13	Board Dimensions	11
14	BQ21061 Low Iq Battery Charger with PowerPath Management Schematic	12
15	BQ21061EVM Jumper Connectors	13
16	BQ21061EVM Interface Connector	13
17	User Menu Switches	14
18	LDO for Display/Other Peripherals	14

List of Tables

1	Device Data Sheet	2
---	-------------------------	---

2	Jumper Connections	2
3	Recommended Operating Conditions.....	3
4	Comparison Table	6
5	Bill of Materials	15

Trademarks

Microsoft, Windows are registered trademarks of Microsoft Corporation. All other trademarks are the property of their respective owners.

1 Introduction

The BQ21061EVM is an evaluation kit for the BQ21061 integrated battery charge management IC. The BQ21061 is an integrated battery charge management IC that integrates the most common functions for wearable devices: Linear charger, regulated output/ load switch, manual reset with timer, and ship mode function.

1.1 EVM Features

Key features of this EVM include:

- 500mA Linear battery charger
- I2C Configurable Battery Regulation Voltage with 0.5% Accuracy
- Configurable Termination Current down to 0.5mA
- Programmable thermal charging profile with configurable Hot, Warm, Cool and Cold thresholds
- Power Path Management for powering the system and charging the battery
- 10nA Ship Mode battery Iddq for longest shelf life
- One I2C Configurable Load Switch or 150mA LDO Output
- One Button Wake-up and Reset Input with Adjustable Timers
- I2C Communication Control

See the device data sheet ([SLUSDU0](#)) for detailed features and operation of the integrated circuit (IC).

Table 1. Device Data Sheet

Device	Data Sheet
BQ21061	SLUSDU0

1.2 I/O Descriptions

[Table 2](#) lists the jumper connections available on this EVM.

Table 2. Jumper Connections

Jumper Name	Description	Setting
J1	Micro USB connector (optional for VIN)	NA
J2, J3	Board connector to other modules	NA
J4	External LDO ON	Not Connected
J5	TS potentiometer connector	Connected
J6	VIN and GND connector	NA
J7	VBAT and GND connector	NA
J8	EV2400 Connector	NA
J10	Battery Pack Connector	NA
J11	VIO connector to VDD or 3p3V	Connect VDD to VIO
J12	/LP connector to GPIO or VIO	Connect /LP to VIO
J13	/CE connector ro GPIO or VIO	Connect /CE to VIO

Table 2. Jumper Connections (continued)

Jumper Name	Description	Setting
J14	Display connector for other modules	NA
J15	PMID to VINLS connector	Connected
J16	On board LED pullup to VDD or PMID	Connected to PMID
J17	I2C Pullup	Connected

Table 3 lists the recommended operating conditions for this EVM.

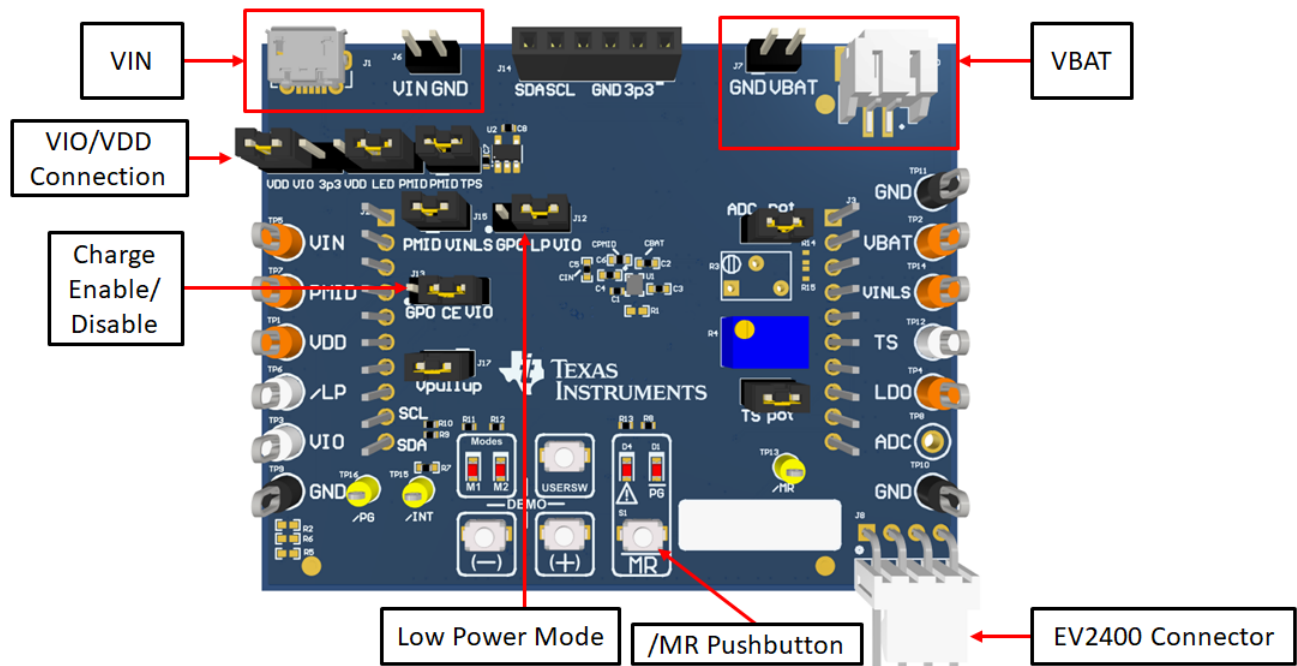


Figure 1. BQ21061EVM Connections

Table 3. Recommended Operating Conditions

Symbol	Description	MIN	TYP	MAX	Unit
Supply voltage, $V_{V_{BUS}}$	Input voltage from AC adapter		5	20	V
Battery voltage, $V_{V_{BAT}}$ in charge mode	Voltage applied at $V_{V_{BAT}}$ terminal		4.2		V
$I_{I_{BAT}}$	Fast charging current		0.5		A
	Discharging current through internal MOSFET		1		A
Supply current, $I_{I_{IN}}$	Maximum input current from AC adapter input		0.6		A

2 Test Summary

2.1 Equipment

This section includes a list of supplies required to perform tests on this EVM.

1. *Powersupply (PS#1), Powersupply (PS#2)*: Keithley 2400 Powersupply or equivalent
2. *SC#1- SC#3*: 4 channel Oscilloscope
3. *Computer*: A computer with at least one USB port and a USB cable
4. *PC communication interface*:
5. *Software*: Download [bqStudio](#) from Texas Instruments
Double click the *Battery management studio* installation file and then follow the installation steps. The software supports Microsoft® Windows® 7 and Windows 10 operating systems.

2.2 Charge Mode

Connect the equipment as following:

Power supply PS#1: VIN of the BQ21061 at 5V

Power supply PS#2: VBAT of the BQ21061 at 3.7V

Scope channel SC#1: VIN

Scope channel SC#2: VPMID

Scope channel SC#3: VBAT

Turn ON the supply PS#2, then turn ON the supply PS#1. The VPMID will rise to ≈ 4.5 V. The device will begin to charge as long as /CE pin jumper is disconnected (J13 being pulled off will result in the pulldown internal to the device, charge enabled), the TS is left at default configuration and there are no other faults.

To adjust the charge current or change other parameters, connect the EV2400 to the EVM and then startup BQStudio.

Select the Charger_1_00-bq21061.bqz from the charger selection. Click "Read Register" to read all the registers and navigate to the Field View to make changes.

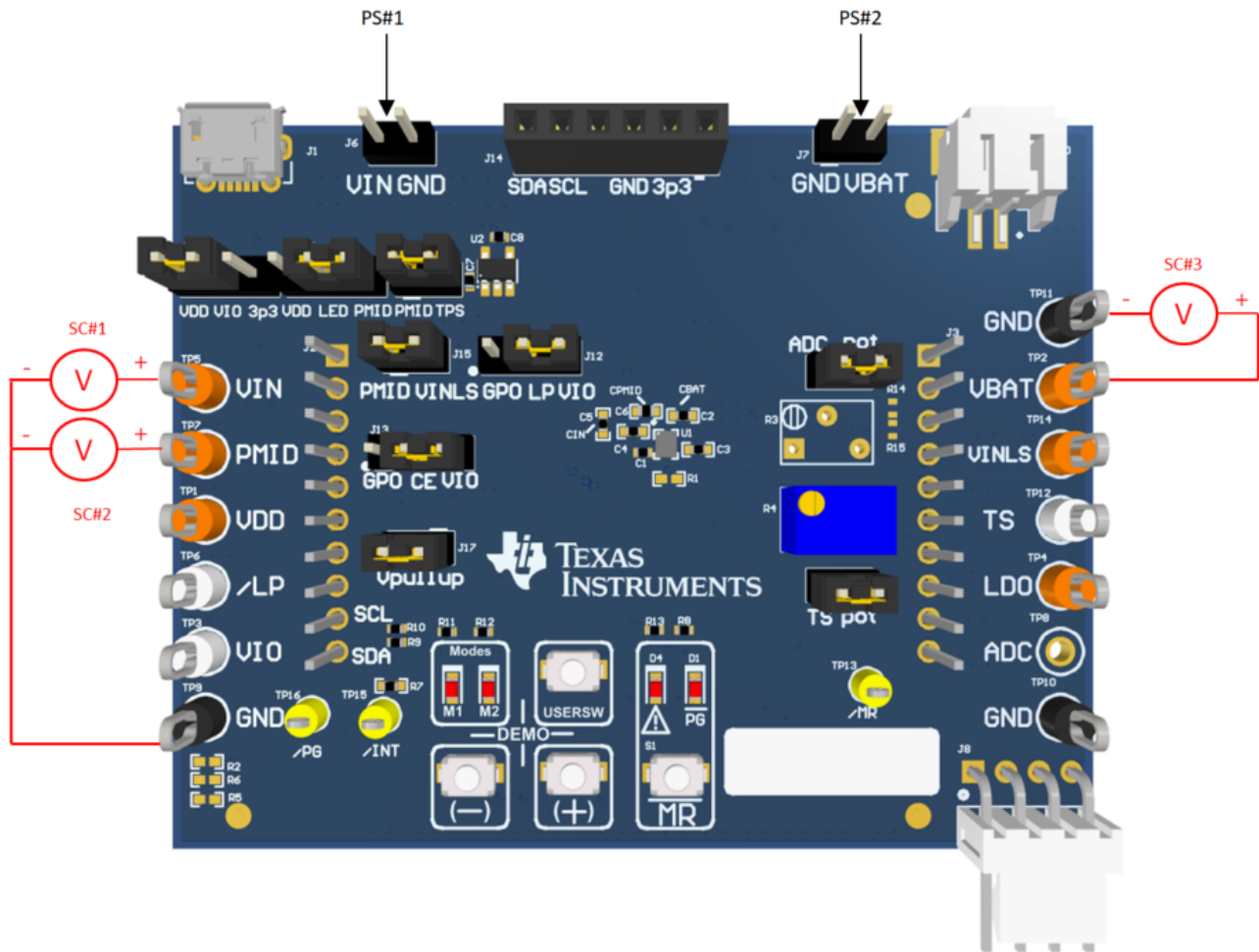


Figure 2. Connections for Test Setup

2.3 Ship Mode

To go to Ship Mode, turn OFF VIN (PS#1). Make sure /LP pin is connected to VIO(J12) and VIO is connected to VDD through J11. Read all the registers and click the Shipmode Enable checkbox (Bit B7 on register 0x35) to go to Ship Mode. You can know that you are in Ship Mode as the voltage on PMID (SC#2) will fall to 0V.

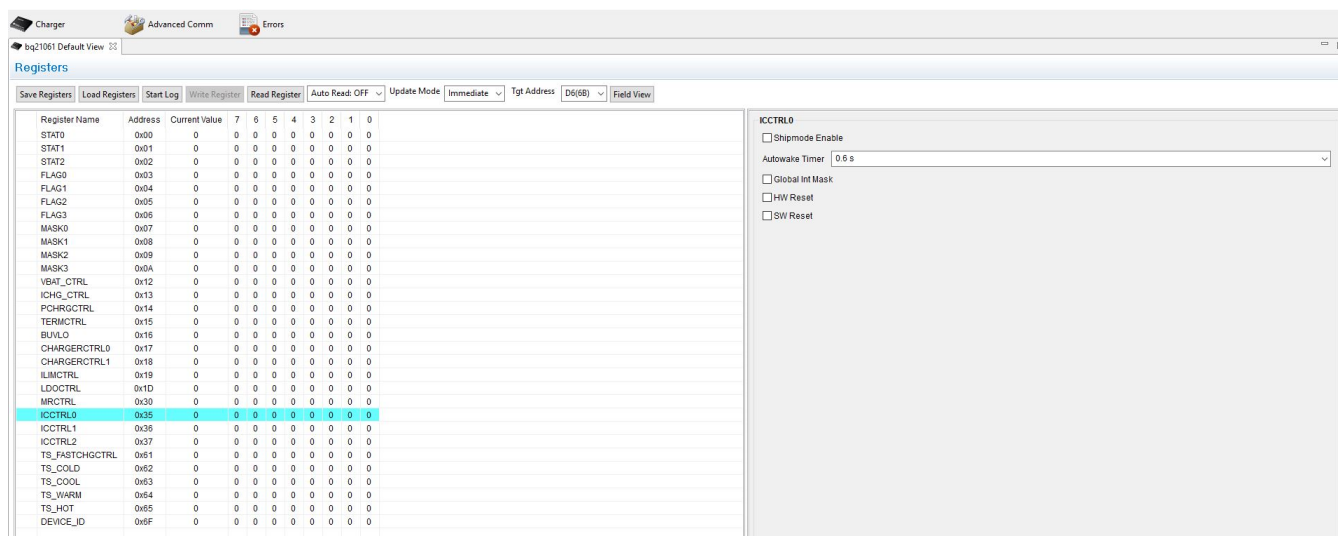


Figure 3. BQStudio Software Tool

2.4 Warning

The warning label indicates when there is a fault during communication with the MCU.

2.5 Comparison Table

Refer to the data sheet for detailed information on register defaults.

Table 4. Comparison Table

	BQ21061
Default PMID voltage when adapter is present	4.5 V (can be adjusted through I2C)
Input current limit default	500 mA
VINDPM	Disabled
Warm battery discharge	Yes (up to 20 mA)
Wake from Shipmode timer	125 ms
VINUVLO (battery present)	3.15 V
Device ID	0x3A

3 Board Layouts, Schematics, and Bill of Materials

3.1 Board Layouts

Figure 4 through Figure 12 show the PCB board layouts.

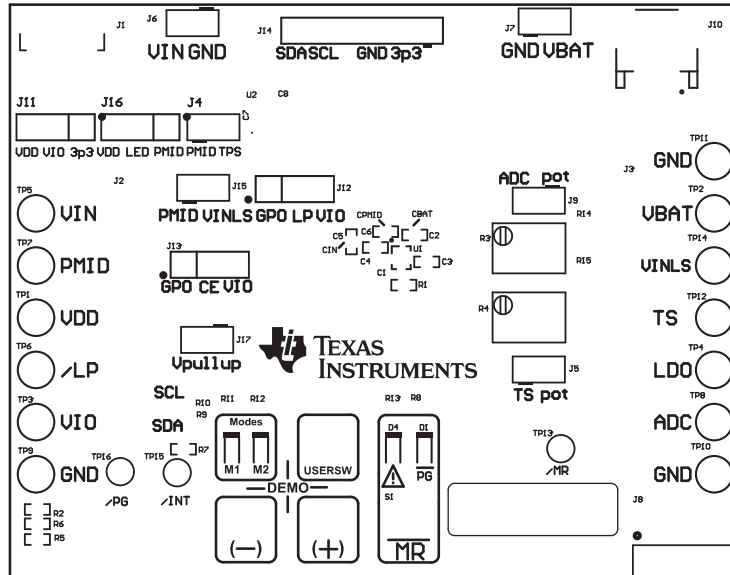


Figure 4. Top Overlay

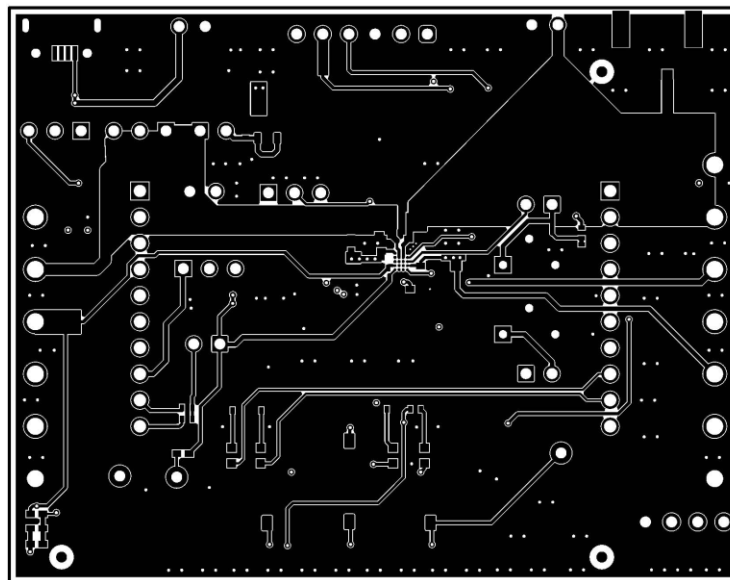


Figure 5. Top Layer

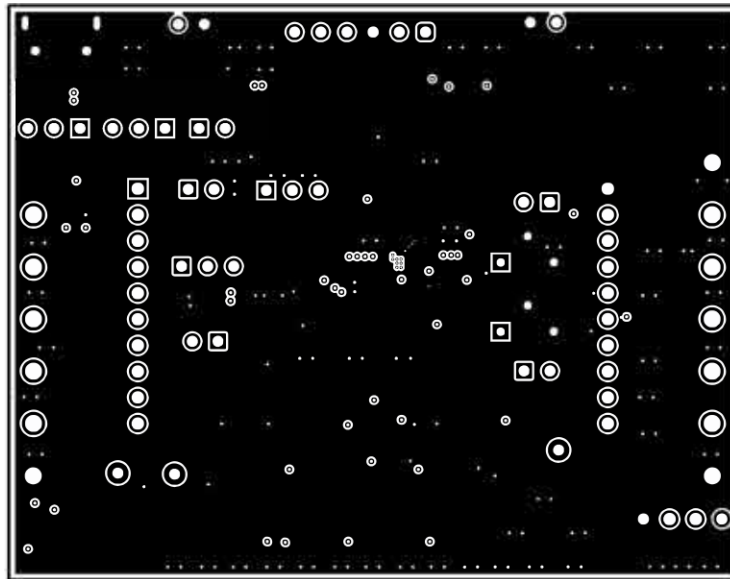


Figure 6. Signal Layer 1

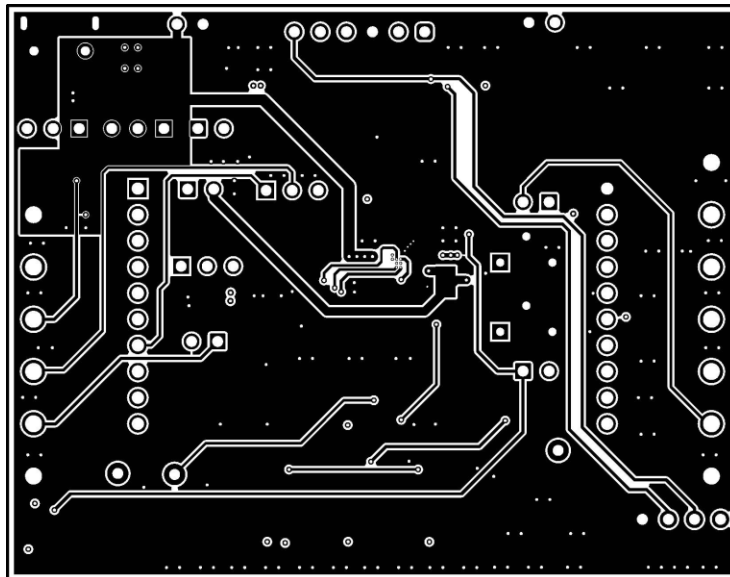


Figure 7. Signal Layer 2

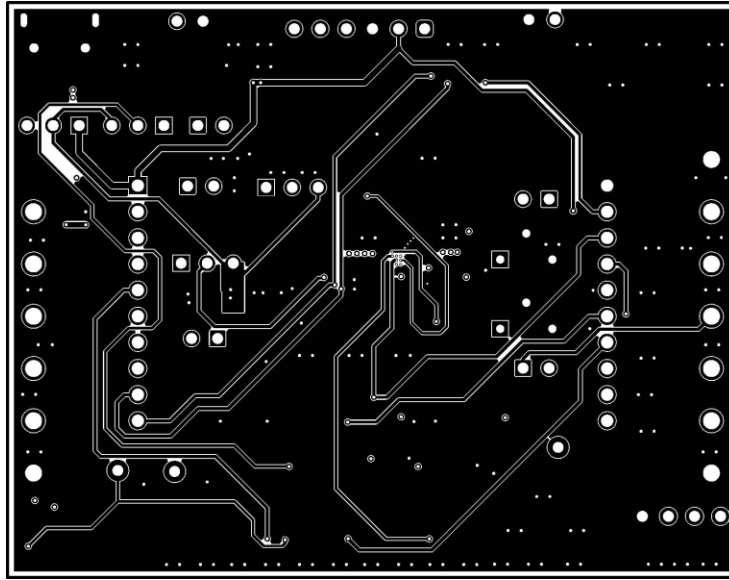


Figure 8. Bottom Layer

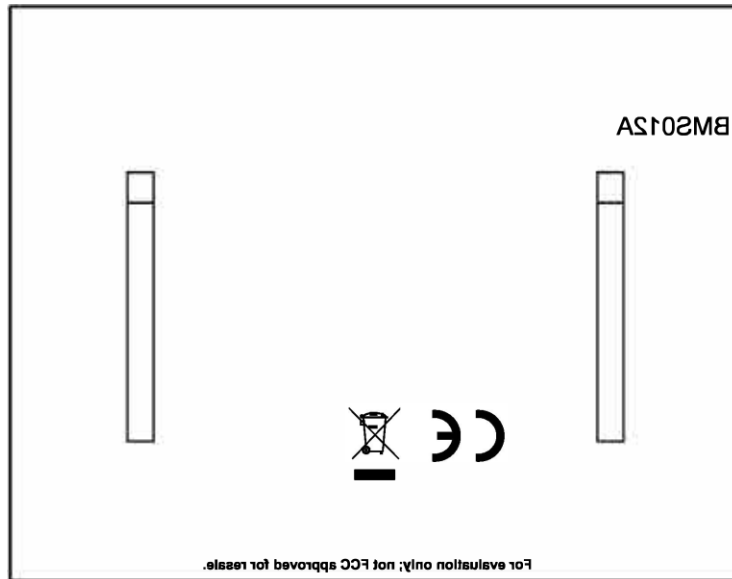


Figure 9. Bottom Overlay

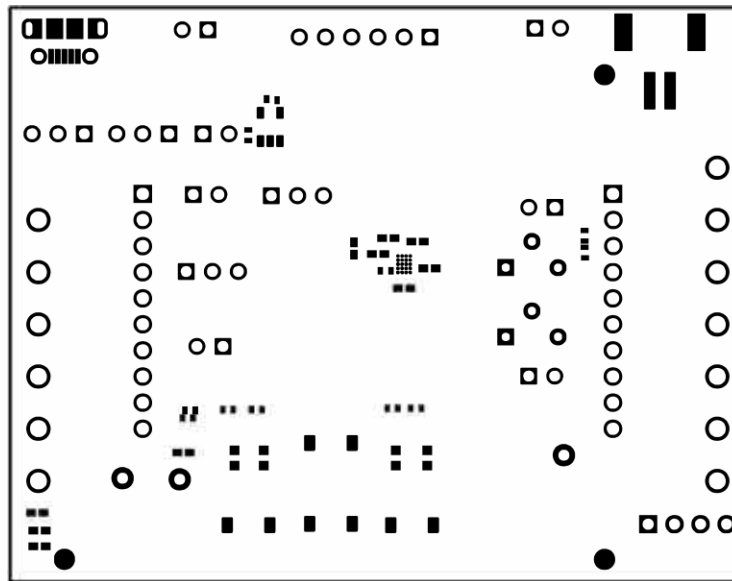


Figure 10. Top Solder Mask

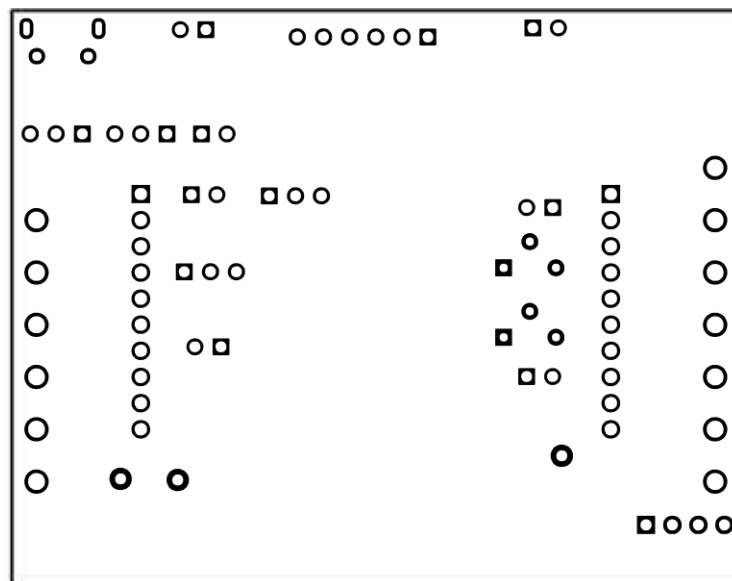


Figure 11. Bottom Solder Mask

Symbol	Count	Hole Size	Plated	Hole Type	Drill	Layer Pair	Uia/Pad	Pad Shape	Template	Description	Hole Tolerance (+)	Hole Tolerance (-)	Hole Length	Routed Path Length
∅	2	23.42mil (0.600mm)	PTH	Slot		Top Layer - Bottom Layer Pad	Rounded	r190_120hd0_130-100					51.18mil (1.300mm)	27.56mil (0.700mm)
∅	2	23.47mil (0.595mm)	PTH	Round		Top Layer - Bottom Layer Pad	Rounded	c149hd					-	-
∅	4	40.16mil (1.020mm)	PTH	Round		Top Layer - Bottom Layer Pad	(filxvd)	(filxvd)					-	-
∅	6	29.53mil (0.750mm)	PTH	Round		Top Layer - Bottom Layer Pad	(filxvd)	(filxvd)					-	-
∅	6	40.16mil (1.020mm)	PTH	Round		Top Layer - Bottom Layer Pad	(filxvd)	(filxvd)					-	-
∅	13	6.00mil (0.152mm)	PTH	Round		Top Layer - Bottom Layer Uia	Rounded	(filxvd)			1.97mil (0.050mm)	1.97mil (0.050mm)	-	-
∅	13	63.00mil (1.600mm)	PTH	Round		Top Layer - Bottom Layer Pad	Rounded	c221hd0					-	-
∅	20	45.28mil (1.150mm)	PTH	Round		Top Layer - Bottom Layer Pad	(filxvd)	(filxvd)					-	-
∅	29	40.00mil (1.016mm)	PTH	Round		Top Layer - Bottom Layer Pad	(filxvd)	(filxvd)					-	-
∅	189	10.00mil (0.254mm)	PTH	Round		Top Layer - Bottom Layer Uia	Rounded	(filxvd)					-	-
	284	Total												

Slot definitions: Routed Path Length = Calculated from tool start centre position to tool end centre position.
Hole Length = Routed Path Length + Tool Size + Slot length as defined in the PCB layout.

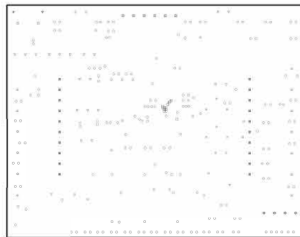


Figure 12. Drill Drawing



Figure 13. Board Dimensions

3.2 Schematics

Figure 14 and Figure 16 show the schematics for the BQ21061 EVM.

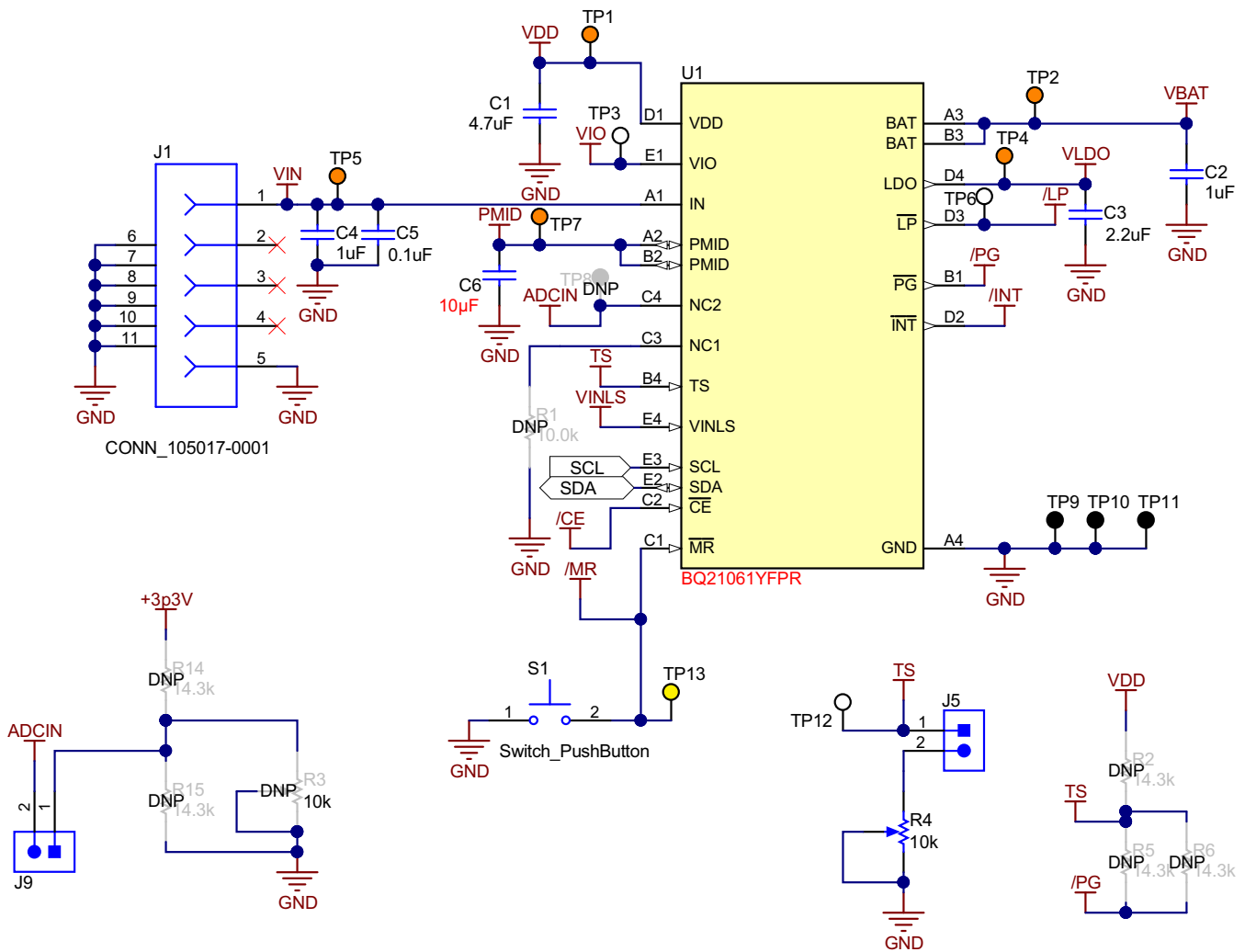


Figure 14. BQ21061 Low Iq Battery Charger with PowerPath Management Schematic

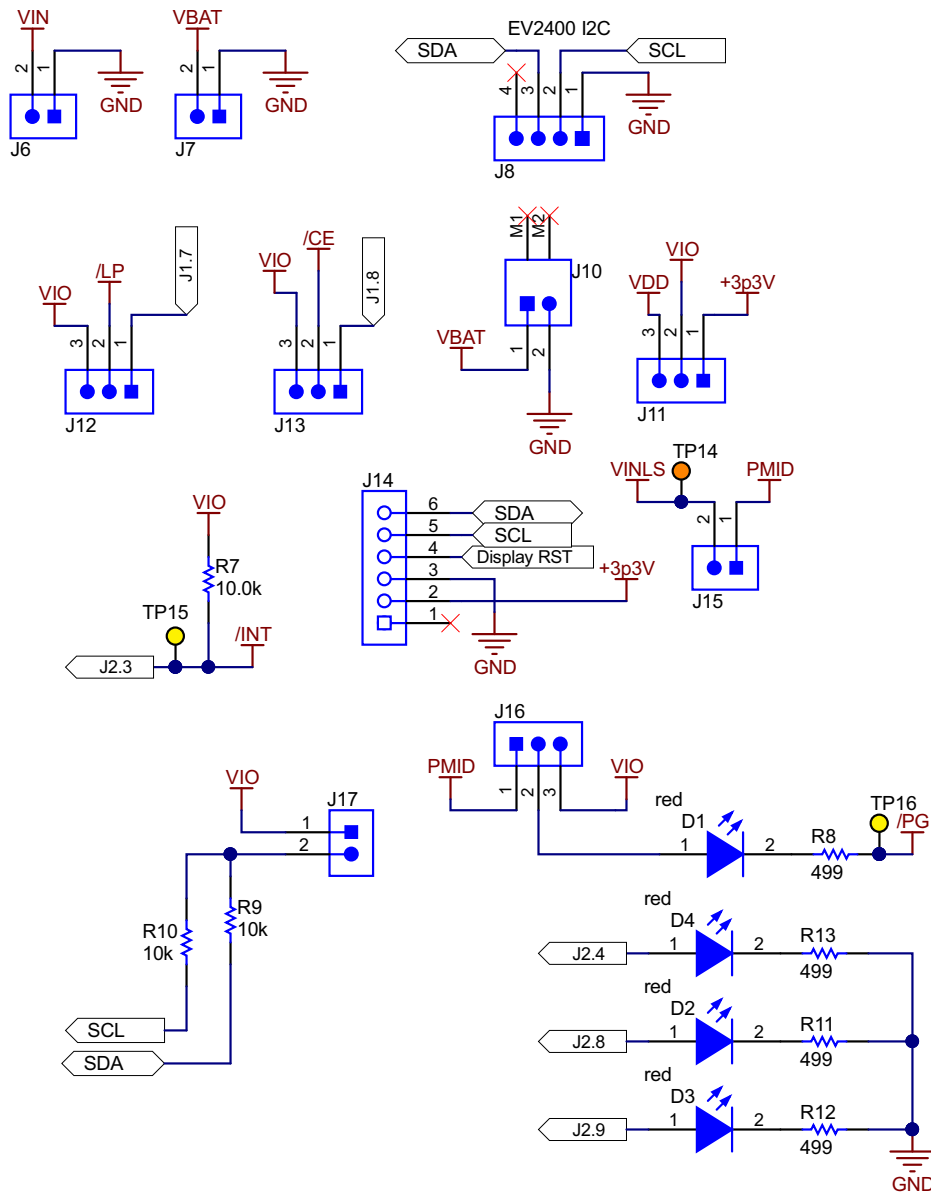


Figure 15. BQ21061EVM Jumper Connectors

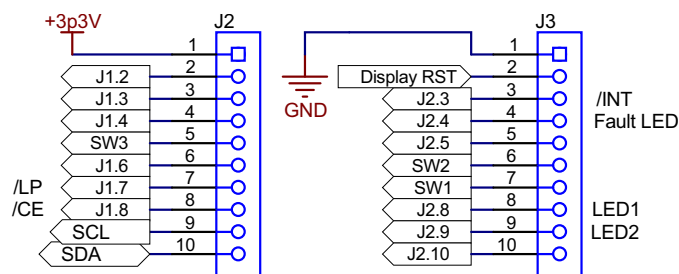


Figure 16. BQ21061EVM Interface Connector

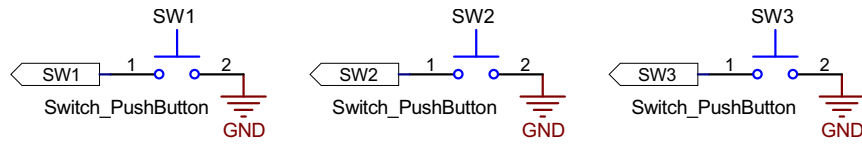


Figure 17. User Menu Switches

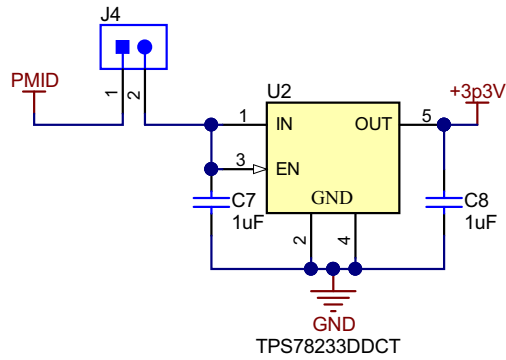


Figure 18. LDO for Display/Other Peripherals

3.3 Bill of Materials

The bill of materials is shown in the following table.

Table 5. Bill of Materials

Designator	Qty	Value	Description	Package Reference	Part Number	Manufacturer	Alternate Part Number ⁽¹⁾	Alternate Manufacturer ⁽¹⁾
C1	1	4.7uF	CAP, CERM, 4.7 uF, 10 V, +/- 20%, X5R, 0402	0402	GRM155R61A475 MEAAD	MuRata		
C2, C4, C7, C8	4	1uF	CAP, CERM, 1 uF, 25 V, +/- 10%, X5R, 0402	0402	C1005X5R1E105K 050BC	TDK		
C3	1	2.2uF	CAP, CERM, 2.2 uF, 10 V, +/- 10%, X7S, 0402	0402	C1005X7S1A225K 050BC	TDK		
C5	1	0.1uF	CAP, CERM, 0.1 uF, 25 V, +/- 10%, X7R, 0402	0402	GRM155R71E104 KE14D	MuRata		
C6	1	10uF	CAP, CERM, 10 uF, 10 V,+/- 20%, X5R, 0402	0402	0402ZD106MAT2A	AVX		
D1, D2, D3, D4	4	Red	LED, Red, SMD	Red LED, 1.6x0.8x0.8mm	LTST-C190CKT	Lite-On		
J1	1		Connector, Receptacle, Micro-USB Type B, R/A, Bottom Mount SMT	Micro USB receptacle	105017-0001	Molex		
J2, J3	2		Connector, Receptacle, 100mil, 10x1, Gold plated, TH	10x1 Receptacle	SSW-110-23-F-S	Samtec		
J4, J5, J6, J7, J9, J15, J17	7		Header, 100mil, 2x1, Tin, TH	Header, 2 PIN, 100mil, Tin	PEC02SAAN	Sullins Connector Solutions		
J8	1		Header (friction lock), 100mil, 4x1, R/A, TH	4x1 R/A Header	22/05/3041	Molex		
J10	1		Header (shrouded), 2mm, 2x1, R/A, SMT	Header, 2x1, 2mm, R/A	S2B-PH-SM4-TB(LF)(SN)	JST Manufacturing		
J11, J12, J13, J16	4		Header, 100mil, 3x1, Tin, TH	Header, 3 PIN, 100mil, Tin	PEC03SAAN	Sullins Connector Solutions		
J14	1		Receptacle, 2.54mm, 6x1, Gold, TH	Receptacle, 2.54mm, 6x1, Gold, TH	PPPC061LFBN-RC	Sullins Connector Solutions		
LBL1	1		Thermal Transfer Printable Labels, 0.650" W x 0.200" H - 10,000 per roll	PCB Label 0.650 x 0.200 inch	THT-14-423-10	Brady		
R4	1	10k ohm	Trimmer, 10k ohm, 0.25W, TH	4.5x8x6.7mm	3266W-1-103LF	Bourns		
R7	1	10.0k	RES, 10.0 k, 1%, 0.2 W, AEC-Q200 Grade 0, 0402	0402	ERJPA2F1002X	Panasonic		
R8, R11, R12, R13	4	499	RES, 499, 1%, 0.063 W, AEC-Q200 Grade 0, 0402	0402	CRCW0402499RF KED	Vishay-Dale		

⁽¹⁾ Unless otherwise noted in the Alternate PartNumber and/or Alternate Manufacturer columns, all parts may be substituted with equivalents.

Table 5. Bill of Materials (continued)

Designator	Qty	Value	Description	Package Reference	Part Number	Manufacturer	Alternate Part Number ⁽¹⁾	Alternate Manufacturer ⁽¹⁾
R9, R10	2	10k	RES, 10 k, 5%, 0.063 W, AEC-Q200 Grade 0, 0402	0402	CRCW040210K0J NED	Vishay-Dale		
S1, SW1, SW2, SW3	4		Switch, Tactile, SPST-NO, 0.05A, 12V, SMT	Switch, 4.4x2x2.9 mm	TL1015AF160QG	E-Switch		
SH-J1, SH-J2, SH-J3, SH-J4, SH-J5, SH-J6, SH-J7, SH-J8, SH-J9	9	1x2	Shunt, 100mil, Gold plated, Black	Shunt	SNT-100-BK-G	Samtec	969102-0000-DA	3M
TP1, TP2, TP4, TP5, TP7, TP14	6		Test Point, Multipurpose, Orange, TH	Orange Multipurpose Testpoint	5013	Keystone		
TP3, TP6, TP12	3		Test Point, Multipurpose, White, TH	White Multipurpose Testpoint	5012	Keystone		
TP9, TP10, TP11	3		Test Point, Multipurpose, Black, TH	Black Multipurpose Testpoint	5011	Keystone		
TP13, TP15, TP16	3		Test Point, Miniature, Yellow, TH	Yellow Miniature Testpoint	5004	Keystone		
U1	1		BQ21061YFPR, YFP0020ACAC (DSBGA-20)	YFP0020ACAC	BQ21061YFPR	Texas Instruments		Texas Instruments
U2	1		Single Output LDO, 150 mA, Fixed 3.3 V Output, 2.2 to 5.5 V Input, with 0.5 uA Quiescent Current, 5-pin SOT (DDC), -40 to 125 degC, Green (RoHS and no Sb/Br)	DDC0005A	TPS78233DDCT	Texas Instruments		
FID1, FID2, FID3	0		Fiducial mark. There is nothing to buy or mount.	N/A	N/A	N/A		
R1	0	10.0k	RES, 10.0 k, 1%, 0.2 W, AEC-Q200 Grade 0, 0402	0402	ERJPA2F1002X	Panasonic		
R2, R5, R6, R14, R15	0	14.3k	RES, 14.3 k, 1%, 0.063 W, AEC-Q200 Grade 0, 0402	0402	CRCW040214K3F KED	Vishay-Dale		
R3	0	10k ohm	Trimmer, 10k ohm, 0.25W, TH	4.5x8x6.7mm	3266W-1-103LF	Bourns		
TP8	0		Test Point, Multipurpose, White, TH	White Multipurpose Testpoint	5012	Keystone		

IMPORTANT NOTICE AND DISCLAIMER

TI PROVIDES TECHNICAL AND RELIABILITY DATA (INCLUDING DATASHEETS), DESIGN RESOURCES (INCLUDING REFERENCE DESIGNS), APPLICATION OR OTHER DESIGN ADVICE, WEB TOOLS, SAFETY INFORMATION, AND OTHER RESOURCES “AS IS” AND WITH ALL FAULTS, AND DISCLAIMS ALL WARRANTIES, EXPRESS AND IMPLIED, INCLUDING WITHOUT LIMITATION ANY IMPLIED WARRANTIES OF MERCHANTABILITY, FITNESS FOR A PARTICULAR PURPOSE OR NON-INFRINGEMENT OF THIRD PARTY INTELLECTUAL PROPERTY RIGHTS.

These resources are intended for skilled developers designing with TI products. You are solely responsible for (1) selecting the appropriate TI products for your application, (2) designing, validating and testing your application, and (3) ensuring your application meets applicable standards, and any other safety, security, or other requirements. These resources are subject to change without notice. TI grants you permission to use these resources only for development of an application that uses the TI products described in the resource. Other reproduction and display of these resources is prohibited. No license is granted to any other TI intellectual property right or to any third party intellectual property right. TI disclaims responsibility for, and you will fully indemnify TI and its representatives against, any claims, damages, costs, losses, and liabilities arising out of your use of these resources.

TI's products are provided subject to TI's Terms of Sale (www.ti.com/legal/termsofsale.html) or other applicable terms available either on ti.com or provided in conjunction with such TI products. TI's provision of these resources does not expand or otherwise alter TI's applicable warranties or warranty disclaimers for TI products.

Mailing Address: Texas Instruments, Post Office Box 655303, Dallas, Texas 75265
Copyright © 2019, Texas Instruments Incorporated

STANDARD TERMS FOR EVALUATION MODULES

1. *Delivery:* TI delivers TI evaluation boards, kits, or modules, including any accompanying demonstration software, components, and/or documentation which may be provided together or separately (collectively, an "EVM" or "EVMs") to the User ("User") in accordance with the terms set forth herein. User's acceptance of the EVM is expressly subject to the following terms.
 - 1.1 EVMs are intended solely for product or software developers for use in a research and development setting to facilitate feasibility evaluation, experimentation, or scientific analysis of TI semiconductors products. EVMs have no direct function and are not finished products. EVMs shall not be directly or indirectly assembled as a part or subassembly in any finished product. For clarification, any software or software tools provided with the EVM ("Software") shall not be subject to the terms and conditions set forth herein but rather shall be subject to the applicable terms that accompany such Software
 - 1.2 EVMs are not intended for consumer or household use. EVMs may not be sold, sublicensed, leased, rented, loaned, assigned, or otherwise distributed for commercial purposes by Users, in whole or in part, or used in any finished product or production system.
2. *Limited Warranty and Related Remedies/Disclaimers:*
 - 2.1 These terms do not apply to Software. The warranty, if any, for Software is covered in the applicable Software License Agreement.
 - 2.2 TI warrants that the TI EVM will conform to TI's published specifications for ninety (90) days after the date TI delivers such EVM to User. Notwithstanding the foregoing, TI shall not be liable for a nonconforming EVM if (a) the nonconformity was caused by neglect, misuse or mistreatment by an entity other than TI, including improper installation or testing, or for any EVMs that have been altered or modified in any way by an entity other than TI, (b) the nonconformity resulted from User's design, specifications or instructions for such EVMs or improper system design, or (c) User has not paid on time. Testing and other quality control techniques are used to the extent TI deems necessary. TI does not test all parameters of each EVM. User's claims against TI under this Section 2 are void if User fails to notify TI of any apparent defects in the EVMs within ten (10) business days after delivery, or of any hidden defects with ten (10) business days after the defect has been detected.
 - 2.3 TI's sole liability shall be at its option to repair or replace EVMs that fail to conform to the warranty set forth above, or credit User's account for such EVM. TI's liability under this warranty shall be limited to EVMs that are returned during the warranty period to the address designated by TI and that are determined by TI not to conform to such warranty. If TI elects to repair or replace such EVM, TI shall have a reasonable time to repair such EVM or provide replacements. Repaired EVMs shall be warranted for the remainder of the original warranty period. Replaced EVMs shall be warranted for a new full ninety (90) day warranty period.

WARNING

Evaluation Kits are intended solely for use by technically qualified, professional electronics experts who are familiar with the dangers and application risks associated with handling electrical mechanical components, systems, and subsystems.

User shall operate the Evaluation Kit within TI's recommended guidelines and any applicable legal or environmental requirements as well as reasonable and customary safeguards. Failure to set up and/or operate the Evaluation Kit within TI's recommended guidelines may result in personal injury or death or property damage. Proper set up entails following TI's instructions for electrical ratings of interface circuits such as input, output and electrical loads.

NOTE:

EXPOSURE TO ELECTROSTATIC DISCHARGE (ESD) MAY CAUSE DEGRADATION OR FAILURE OF THE EVALUATION KIT; TI RECOMMENDS STORAGE OF THE EVALUATION KIT IN A PROTECTIVE ESD BAG.

3 Regulatory Notices:

3.1 United States

3.1.1 Notice applicable to EVMs not FCC-Approved:

FCC NOTICE: This kit is designed to allow product developers to evaluate electronic components, circuitry, or software associated with the kit to determine whether to incorporate such items in a finished product and software developers to write software applications for use with the end product. This kit is not a finished product and when assembled may not be resold or otherwise marketed unless all required FCC equipment authorizations are first obtained. Operation is subject to the condition that this product not cause harmful interference to licensed radio stations and that this product accept harmful interference. Unless the assembled kit is designed to operate under part 15, part 18 or part 95 of this chapter, the operator of the kit must operate under the authority of an FCC license holder or must secure an experimental authorization under part 5 of this chapter.

3.1.2 For EVMs annotated as FCC – FEDERAL COMMUNICATIONS COMMISSION Part 15 Compliant:

CAUTION

This device complies with part 15 of the FCC Rules. Operation is subject to the following two conditions: (1) This device may not cause harmful interference, and (2) this device must accept any interference received, including interference that may cause undesired operation.

Changes or modifications not expressly approved by the party responsible for compliance could void the user's authority to operate the equipment.

FCC Interference Statement for Class A EVM devices

NOTE: This equipment has been tested and found to comply with the limits for a Class A digital device, pursuant to part 15 of the FCC Rules. These limits are designed to provide reasonable protection against harmful interference when the equipment is operated in a commercial environment. This equipment generates, uses, and can radiate radio frequency energy and, if not installed and used in accordance with the instruction manual, may cause harmful interference to radio communications. Operation of this equipment in a residential area is likely to cause harmful interference in which case the user will be required to correct the interference at his own expense.

FCC Interference Statement for Class B EVM devices

NOTE: This equipment has been tested and found to comply with the limits for a Class B digital device, pursuant to part 15 of the FCC Rules. These limits are designed to provide reasonable protection against harmful interference in a residential installation. This equipment generates, uses and can radiate radio frequency energy and, if not installed and used in accordance with the instructions, may cause harmful interference to radio communications. However, there is no guarantee that interference will not occur in a particular installation. If this equipment does cause harmful interference to radio or television reception, which can be determined by turning the equipment off and on, the user is encouraged to try to correct the interference by one or more of the following measures:

- Reorient or relocate the receiving antenna.
- Increase the separation between the equipment and receiver.
- Connect the equipment into an outlet on a circuit different from that to which the receiver is connected.
- Consult the dealer or an experienced radio/TV technician for help.

3.2 Canada

3.2.1 For EVMs issued with an Industry Canada Certificate of Conformance to RSS-210 or RSS-247

Concerning EVMs Including Radio Transmitters:

This device complies with Industry Canada license-exempt RSSs. Operation is subject to the following two conditions:

(1) this device may not cause interference, and (2) this device must accept any interference, including interference that may cause undesired operation of the device.

Concernant les EVMs avec appareils radio:

Le présent appareil est conforme aux CNR d'Industrie Canada applicables aux appareils radio exempts de licence. L'exploitation est autorisée aux deux conditions suivantes: (1) l'appareil ne doit pas produire de brouillage, et (2) l'utilisateur de l'appareil doit accepter tout brouillage radioélectrique subi, même si le brouillage est susceptible d'en compromettre le fonctionnement.

Concerning EVMs Including Detachable Antennas:

Under Industry Canada regulations, this radio transmitter may only operate using an antenna of a type and maximum (or lesser) gain approved for the transmitter by Industry Canada. To reduce potential radio interference to other users, the antenna type and its gain should be so chosen that the equivalent isotropically radiated power (e.i.r.p.) is not more than that necessary for successful communication. This radio transmitter has been approved by Industry Canada to operate with the antenna types listed in the user guide with the maximum permissible gain and required antenna impedance for each antenna type indicated. Antenna types not included in this list, having a gain greater than the maximum gain indicated for that type, are strictly prohibited for use with this device.

Concernant les EVMs avec antennes détachables

Conformément à la réglementation d'Industrie Canada, le présent émetteur radio peut fonctionner avec une antenne d'un type et d'un gain maximal (ou inférieur) approuvé pour l'émetteur par Industrie Canada. Dans le but de réduire les risques de brouillage radioélectrique à l'intention des autres utilisateurs, il faut choisir le type d'antenne et son gain de sorte que la puissance isotrope rayonnée équivalente (p.i.r.e.) ne dépasse pas l'intensité nécessaire à l'établissement d'une communication satisfaisante. Le présent émetteur radio a été approuvé par Industrie Canada pour fonctionner avec les types d'antenne énumérés dans le manuel d'usage et ayant un gain admissible maximal et l'impédance requise pour chaque type d'antenne. Les types d'antenne non inclus dans cette liste, ou dont le gain est supérieur au gain maximal indiqué, sont strictement interdits pour l'exploitation de l'émetteur.

3.3 Japan

3.3.1 *Notice for EVMs delivered in Japan:* Please see http://www.tij.co.jp/lstds/ti_ja/general/eStore/notice_01.page 日本国内に輸入される評価用キット、ボードについては、次のところをご覧ください。
http://www.tij.co.jp/lstds/ti_ja/general/eStore/notice_01.page

3.3.2 *Notice for Users of EVMs Considered "Radio Frequency Products" in Japan:* EVMs entering Japan may not be certified by TI as conforming to Technical Regulations of Radio Law of Japan.

If User uses EVMs in Japan, not certified to Technical Regulations of Radio Law of Japan, User is required to follow the instructions set forth by Radio Law of Japan, which includes, but is not limited to, the instructions below with respect to EVMs (which for the avoidance of doubt are stated strictly for convenience and should be verified by User):

1. Use EVMs in a shielded room or any other test facility as defined in the notification #173 issued by Ministry of Internal Affairs and Communications on March 28, 2006, based on Sub-section 1.1 of Article 6 of the Ministry's Rule for Enforcement of Radio Law of Japan,
2. Use EVMs only after User obtains the license of Test Radio Station as provided in Radio Law of Japan with respect to EVMs, or
3. Use of EVMs only after User obtains the Technical Regulations Conformity Certification as provided in Radio Law of Japan with respect to EVMs. Also, do not transfer EVMs, unless User gives the same notice above to the transferee. Please note that if User does not follow the instructions above, User will be subject to penalties of Radio Law of Japan.

【無線電波を送信する製品の開発キットをお使いになる際の注意事項】 開発キットの中には技術基準適合証明を受けていないものがあります。技術適合証明を受けていないものご使用に際しては、電波法遵守のため、以下のいずれかの措置を取っていただく必要がありますのでご注意ください。

1. 電波法施行規則第6条第1項第1号に基づく平成18年3月28日総務省告示第173号で定められた電波暗室等の試験設備でご使用いただく。
2. 実験局の免許を取得後ご使用いただく。
3. 技術基準適合証明を取得後ご使用いただく。

なお、本製品は、上記の「ご使用にあたっての注意」を譲渡先、移転先に通知しない限り、譲渡、移転できないものとします。

上記を遵守頂けない場合は、電波法の罰則が適用される可能性があることをご留意ください。日本テキサス・インスツルメンツ株式会社
東京都新宿区西新宿 6 丁目 2 4 番 1 号
西新宿三井ビル

3.3.3 *Notice for EVMs for Power Line Communication:* Please see http://www.tij.co.jp/lstds/ti_ja/general/eStore/notice_02.page
電力線搬送波通信についての開発キットをお使いになる際の注意事項については、次のところをご覧ください。http://www.tij.co.jp/lstds/ti_ja/general/eStore/notice_02.page

3.4 European Union

3.4.1 *For EVMs subject to EU Directive 2014/30/EU (Electromagnetic Compatibility Directive):*

This is a class A product intended for use in environments other than domestic environments that are connected to a low-voltage power-supply network that supplies buildings used for domestic purposes. In a domestic environment this product may cause radio interference in which case the user may be required to take adequate measures.

-
- 4 *EVM Use Restrictions and Warnings:*
 - 4.1 EVMS ARE NOT FOR USE IN FUNCTIONAL SAFETY AND/OR SAFETY CRITICAL EVALUATIONS, INCLUDING BUT NOT LIMITED TO EVALUATIONS OF LIFE SUPPORT APPLICATIONS.
 - 4.2 User must read and apply the user guide and other available documentation provided by TI regarding the EVM prior to handling or using the EVM, including without limitation any warning or restriction notices. The notices contain important safety information related to, for example, temperatures and voltages.
 - 4.3 *Safety-Related Warnings and Restrictions:*
 - 4.3.1 User shall operate the EVM within TI's recommended specifications and environmental considerations stated in the user guide, other available documentation provided by TI, and any other applicable requirements and employ reasonable and customary safeguards. Exceeding the specified performance ratings and specifications (including but not limited to input and output voltage, current, power, and environmental ranges) for the EVM may cause personal injury or death, or property damage. If there are questions concerning performance ratings and specifications, User should contact a TI field representative prior to connecting interface electronics including input power and intended loads. Any loads applied outside of the specified output range may also result in unintended and/or inaccurate operation and/or possible permanent damage to the EVM and/or interface electronics. Please consult the EVM user guide prior to connecting any load to the EVM output. If there is uncertainty as to the load specification, please contact a TI field representative. During normal operation, even with the inputs and outputs kept within the specified allowable ranges, some circuit components may have elevated case temperatures. These components include but are not limited to linear regulators, switching transistors, pass transistors, current sense resistors, and heat sinks, which can be identified using the information in the associated documentation. When working with the EVM, please be aware that the EVM may become very warm.
 - 4.3.2 EVMs are intended solely for use by technically qualified, professional electronics experts who are familiar with the dangers and application risks associated with handling electrical mechanical components, systems, and subsystems. User assumes all responsibility and liability for proper and safe handling and use of the EVM by User or its employees, affiliates, contractors or designees. User assumes all responsibility and liability to ensure that any interfaces (electronic and/or mechanical) between the EVM and any human body are designed with suitable isolation and means to safely limit accessible leakage currents to minimize the risk of electrical shock hazard. User assumes all responsibility and liability for any improper or unsafe handling or use of the EVM by User or its employees, affiliates, contractors or designees.
 - 4.4 User assumes all responsibility and liability to determine whether the EVM is subject to any applicable international, federal, state, or local laws and regulations related to User's handling and use of the EVM and, if applicable, User assumes all responsibility and liability for compliance in all respects with such laws and regulations. User assumes all responsibility and liability for proper disposal and recycling of the EVM consistent with all applicable international, federal, state, and local requirements.
 5. *Accuracy of Information:* To the extent TI provides information on the availability and function of EVMs, TI attempts to be as accurate as possible. However, TI does not warrant the accuracy of EVM descriptions, EVM availability or other information on its websites as accurate, complete, reliable, current, or error-free.
 6. *Disclaimers:*
 - 6.1 EXCEPT AS SET FORTH ABOVE, EVMS AND ANY MATERIALS PROVIDED WITH THE EVM (INCLUDING, BUT NOT LIMITED TO, REFERENCE DESIGNS AND THE DESIGN OF THE EVM ITSELF) ARE PROVIDED "AS IS" AND "WITH ALL FAULTS." TI DISCLAIMS ALL OTHER WARRANTIES, EXPRESS OR IMPLIED, REGARDING SUCH ITEMS, INCLUDING BUT NOT LIMITED TO ANY EPIDEMIC FAILURE WARRANTY OR IMPLIED WARRANTIES OF MERCHANTABILITY OR FITNESS FOR A PARTICULAR PURPOSE OR NON-INFRINGEMENT OF ANY THIRD PARTY PATENTS, COPYRIGHTS, TRADE SECRETS OR OTHER INTELLECTUAL PROPERTY RIGHTS.
 - 6.2 EXCEPT FOR THE LIMITED RIGHT TO USE THE EVM SET FORTH HEREIN, NOTHING IN THESE TERMS SHALL BE CONSTRUED AS GRANTING OR CONFERRING ANY RIGHTS BY LICENSE, PATENT, OR ANY OTHER INDUSTRIAL OR INTELLECTUAL PROPERTY RIGHT OF TI, ITS SUPPLIERS/LICENSORS OR ANY OTHER THIRD PARTY, TO USE THE EVM IN ANY FINISHED END-USER OR READY-TO-USE FINAL PRODUCT, OR FOR ANY INVENTION, DISCOVERY OR IMPROVEMENT, REGARDLESS OF WHEN MADE, CONCEIVED OR ACQUIRED.
 7. *USER'S INDEMNITY OBLIGATIONS AND REPRESENTATIONS.* USER WILL DEFEND, INDEMNIFY AND HOLD TI, ITS LICENSORS AND THEIR REPRESENTATIVES HARMLESS FROM AND AGAINST ANY AND ALL CLAIMS, DAMAGES, LOSSES, EXPENSES, COSTS AND LIABILITIES (COLLECTIVELY, "CLAIMS") ARISING OUT OF OR IN CONNECTION WITH ANY HANDLING OR USE OF THE EVM THAT IS NOT IN ACCORDANCE WITH THESE TERMS. THIS OBLIGATION SHALL APPLY WHETHER CLAIMS ARISE UNDER STATUTE, REGULATION, OR THE LAW OF TORT, CONTRACT OR ANY OTHER LEGAL THEORY, AND EVEN IF THE EVM FAILS TO PERFORM AS DESCRIBED OR EXPECTED.
-

8. *Limitations on Damages and Liability:*

8.1 *General Limitations.* IN NO EVENT SHALL TI BE LIABLE FOR ANY SPECIAL, COLLATERAL, INDIRECT, PUNITIVE, INCIDENTAL, CONSEQUENTIAL, OR EXEMPLARY DAMAGES IN CONNECTION WITH OR ARISING OUT OF THESE TERMS OR THE USE OF THE EVMS , REGARDLESS OF WHETHER TI HAS BEEN ADVISED OF THE POSSIBILITY OF SUCH DAMAGES. EXCLUDED DAMAGES INCLUDE, BUT ARE NOT LIMITED TO, COST OF REMOVAL OR REINSTALLATION, ANCILLARY COSTS TO THE PROCUREMENT OF SUBSTITUTE GOODS OR SERVICES, RETESTING, OUTSIDE COMPUTER TIME, LABOR COSTS, LOSS OF GOODWILL, LOSS OF PROFITS, LOSS OF SAVINGS, LOSS OF USE, LOSS OF DATA, OR BUSINESS INTERRUPTION. NO CLAIM, SUIT OR ACTION SHALL BE BROUGHT AGAINST TI MORE THAN TWELVE (12) MONTHS AFTER THE EVENT THAT GAVE RISE TO THE CAUSE OF ACTION HAS OCCURRED.

8.2 *Specific Limitations.* IN NO EVENT SHALL TI'S AGGREGATE LIABILITY FROM ANY USE OF AN EVM PROVIDED HEREUNDER, INCLUDING FROM ANY WARRANTY, INDEMNITY OR OTHER OBLIGATION ARISING OUT OF OR IN CONNECTION WITH THESE TERMS, , EXCEED THE TOTAL AMOUNT PAID TO TI BY USER FOR THE PARTICULAR EVM(S) AT ISSUE DURING THE PRIOR TWELVE (12) MONTHS WITH RESPECT TO WHICH LOSSES OR DAMAGES ARE CLAIMED. THE EXISTENCE OF MORE THAN ONE CLAIM SHALL NOT ENLARGE OR EXTEND THIS LIMIT.

9. *Return Policy.* Except as otherwise provided, TI does not offer any refunds, returns, or exchanges. Furthermore, no return of EVM(s) will be accepted if the package has been opened and no return of the EVM(s) will be accepted if they are damaged or otherwise not in a resalable condition. If User feels it has been incorrectly charged for the EVM(s) it ordered or that delivery violates the applicable order, User should contact TI. All refunds will be made in full within thirty (30) working days from the return of the components(s), excluding any postage or packaging costs.

10. *Governing Law:* These terms and conditions shall be governed by and interpreted in accordance with the laws of the State of Texas, without reference to conflict-of-laws principles. User agrees that non-exclusive jurisdiction for any dispute arising out of or relating to these terms and conditions lies within courts located in the State of Texas and consents to venue in Dallas County, Texas. Notwithstanding the foregoing, any judgment may be enforced in any United States or foreign court, and TI may seek injunctive relief in any United States or foreign court.

Mailing Address: Texas Instruments, Post Office Box 655303, Dallas, Texas 75265
Copyright © 2019, Texas Instruments Incorporated

IMPORTANT NOTICE AND DISCLAIMER

TI PROVIDES TECHNICAL AND RELIABILITY DATA (INCLUDING DATASHEETS), DESIGN RESOURCES (INCLUDING REFERENCE DESIGNS), APPLICATION OR OTHER DESIGN ADVICE, WEB TOOLS, SAFETY INFORMATION, AND OTHER RESOURCES "AS IS" AND WITH ALL FAULTS, AND DISCLAIMS ALL WARRANTIES, EXPRESS AND IMPLIED, INCLUDING WITHOUT LIMITATION ANY IMPLIED WARRANTIES OF MERCHANTABILITY, FITNESS FOR A PARTICULAR PURPOSE OR NON-INFRINGEMENT OF THIRD PARTY INTELLECTUAL PROPERTY RIGHTS.

These resources are intended for skilled developers designing with TI products. You are solely responsible for (1) selecting the appropriate TI products for your application, (2) designing, validating and testing your application, and (3) ensuring your application meets applicable standards, and any other safety, security, or other requirements. These resources are subject to change without notice. TI grants you permission to use these resources only for development of an application that uses the TI products described in the resource. Other reproduction and display of these resources is prohibited. No license is granted to any other TI intellectual property right or to any third party intellectual property right. TI disclaims responsibility for, and you will fully indemnify TI and its representatives against, any claims, damages, costs, losses, and liabilities arising out of your use of these resources.

TI's products are provided subject to TI's Terms of Sale (www.ti.com/legal/termsofsale.html) or other applicable terms available either on ti.com or provided in conjunction with such TI products. TI's provision of these resources does not expand or otherwise alter TI's applicable warranties or warranty disclaimers for TI products.

Mailing Address: Texas Instruments, Post Office Box 655303, Dallas, Texas 75265
Copyright © 2019, Texas Instruments Incorporated