

***CDC7005 (BGA Package)
Evaluation Module Manual
High Performance Analog/CDC***

User's Guide

IMPORTANT NOTICE

Texas Instruments Incorporated and its subsidiaries (TI) reserve the right to make corrections, modifications, enhancements, improvements, and other changes to its products and services at any time and to discontinue any product or service without notice. Customers should obtain the latest relevant information before placing orders and should verify that such information is current and complete. All products are sold subject to TI's terms and conditions of sale supplied at the time of order acknowledgment.

TI warrants performance of its hardware products to the specifications applicable at the time of sale in accordance with TI's standard warranty. Testing and other quality control techniques are used to the extent TI deems necessary to support this warranty. Except where mandated by government requirements, testing of all parameters of each product is not necessarily performed.

TI assumes no liability for applications assistance or customer product design. Customers are responsible for their products and applications using TI components. To minimize the risks associated with customer products and applications, customers should provide adequate design and operating safeguards.

TI does not warrant or represent that any license, either express or implied, is granted under any TI patent right, copyright, mask work right, or other TI intellectual property right relating to any combination, machine, or process in which TI products or services are used. Information published by TI regarding third-party products or services does not constitute a license from TI to use such products or services or a warranty or endorsement thereof. Use of such information may require a license from a third party under the patents or other intellectual property of the third party, or a license from TI under the patents or other intellectual property of TI.

Reproduction of information in TI data books or data sheets is permissible only if reproduction is without alteration and is accompanied by all associated warranties, conditions, limitations, and notices. Reproduction of this information with alteration is an unfair and deceptive business practice. TI is not responsible or liable for such altered documentation.

Resale of TI products or services with statements different from or beyond the parameters stated by TI for that product or service voids all express and any implied warranties for the associated TI product or service and is an unfair and deceptive business practice. TI is not responsible or liable for any such statements.

Following are URLs where you can obtain information on other Texas Instruments products and application solutions:

Products		Applications	
Amplifiers	amplifier.ti.com	Audio	www.ti.com/audio
Data Converters	dataconverter.ti.com	Automotive	www.ti.com/automotive
DSP	dsp.ti.com	Broadband	www.ti.com/broadband
Interface	interface.ti.com	Digital Control	www.ti.com/digitalcontrol
Logic	logic.ti.com	Military	www.ti.com/military
Power Mgmt	power.ti.com	Optical Networking	www.ti.com/opticalnetwork
Microcontrollers	microcontroller.ti.com	Security	www.ti.com/security
		Telephony	www.ti.com/telephony
		Video & Imaging	www.ti.com/video
		Wireless	www.ti.com/wireless

Mailing Address: Texas Instruments
Post Office Box 655303 Dallas, Texas 75265

EVM IMPORTANT NOTICE

Texas Instruments (TI) provides the enclosed product(s) under the following conditions:

This evaluation kit being sold by TI is intended for use for **ENGINEERING DEVELOPMENT OR EVALUATION PURPOSES ONLY** and is not considered by TI to be fit for commercial use. As such, the goods being provided may not be complete in terms of required design-, marketing-, and/or manufacturing-related protective considerations, including product safety measures typically found in the end product incorporating the goods. As a prototype, this product does not fall within the scope of the European Union directive on electromagnetic compatibility and therefore may not meet the technical requirements of the directive.

Should this evaluation kit not meet the specifications indicated in the EVM User's Guide, the kit may be returned within 30 days from the date of delivery for a full refund. **THE FOREGOING WARRANTY IS THE EXCLUSIVE WARRANTY MADE BY SELLER TO BUYER AND IS IN LIEU OF ALL OTHER WARRANTIES, EXPRESSED, IMPLIED, OR STATUTORY, INCLUDING ANY WARRANTY OF MERCHANTABILITY OR FITNESS FOR ANY PARTICULAR PURPOSE.**

The user assumes all responsibility and liability for proper and safe handling of the goods. Further, the user indemnifies TI from all claims arising from the handling or use of the goods. Please be aware that the products received may not be regulatory compliant or agency certified (FCC, UL, CE, etc.). Due to the open construction of the product, it is the user's responsibility to take any and all appropriate precautions with regard to electrostatic discharge.

EXCEPT TO THE EXTENT OF THE INDEMNITY SET FORTH ABOVE, NEITHER PARTY SHALL BE LIABLE TO THE OTHER FOR ANY INDIRECT, SPECIAL, INCIDENTAL, OR CONSEQUENTIAL DAMAGES.

TI currently deals with a variety of customers for products, and therefore our arrangement with the user **is not exclusive**.

TI assumes **no liability for applications assistance, customer product design, software performance, or infringement of patents or services described herein**.

Please read the EVM User's Guide and, specifically, the EVM Warnings and Restrictions notice in the EVM User's Guide prior to handling the product. This notice contains important safety information about temperatures and voltages. For further safety concerns, please contact the TI application engineer.

Persons handling the product must have electronics training and observe good laboratory practice standards.

No license is granted under any patent right or other intellectual property right of TI covering or relating to any machine, process, or combination in which such TI products or services might be or are used.

Mailing Address:

Texas Instruments
Post Office Box 655303
Dallas, Texas 75265

EVM WARNINGS AND RESTRICTIONS

It is important to operate this EVM within the supply voltage range of 3 V and 3.6 V.

Exceeding the specified input range may cause unexpected operation and/or irreversible damage to the EVM. If there are questions concerning the input range, please contact a TI field representative prior to connecting the input power.

Applying loads outside of the specified output range may result in unintended operation and/or possible permanent damage to the EVM. Please consult the EVM User's Guide prior to connecting any load to the EVM output. If there is uncertainty as to the load specification, please contact a TI field representative.

During normal operation, some circuit components may have case temperatures greater than 45°C. The EVM is designed to operate properly with certain components above 60°C as long as the input and output ranges are maintained. These components include but are not limited to linear regulators, switching transistors, pass transistors, and current sense resistors. These types of devices can be identified using the EVM schematic located in the EVM User's Guide. When placing measurement probes near these devices during operation, please be aware that these devices may be very warm to the touch.

Mailing Address:

Texas Instruments
Post Office Box 655303
Dallas, Texas 75265

Read This First

About This Manual

This manual explains how to use the CDC7005 evaluation module and to provide the guidelines to build the customer's own systems. The manual includes schematics, layout, bill of materials, and a software description.

How to Use This Manual

This document contains the following chapters:

- Chapter 1—Introduction
- Chapter 2—Quick Start
- Chapter 3—EVM Hardware
- Chapter 4—Serial Peripheral Interface (SPI) Software
- Chapter 5—Schematics, Board Layout, and Parts List

Related Documentation From Texas Instruments

- CDC7005 Data Sheet, SCAS685, Texas Instruments

FCC Warning

This equipment is intended for use in a laboratory test environment only. It generates, uses, and can radiate radio frequency energy and has not been tested for compliance with the limits of computing devices pursuant to subpart J of part 15 of FCC rules, which are designed to provide reasonable protection against radio frequency interference. Operation of this equipment in other environments may cause interference with radio communications, in which case the user at his own expense will be required to take whatever measures may be required to correct this interference.

If You Need Assistance. . .

If you need assistance with this device, please email
clocks_apps@list.ti.com

Contents

1	Introduction	1-1
1.1	CDC7005 Functional Block Diagram	1-2
2	Quick Start	2-1
3	EVM Hardware	3-1
3.1	Board View and Connector Location	3-2
3.2	Connector Description	3-4
3.3	Hardware Configuration	3-4
3.3.1	Power Supply (P1, P2)	3-4
3.3.2	Onboard Switches and Indicators (S1–S2, D1–D4)	3-4
3.3.3	Programming Interfaces (J27, J28)	3-5
3.3.4	Loop Filter (J29–J35)	3-5
3.3.5	High-Speed Outputs and Inputs (J6–J15 and J19–J20)	3-5
3.3.6	VCXO Inputs and Outputs (J23–J28)	3-6
4	Serial Peripheral Interface (SPI) Software	4-1
4.1	Functional Description	4-2
4.2	Software Installation	4-3
5	Application Level Circuit Diagram	5-1
5.3.1	Passive Loop Filter	5-2
5.3.2	Active Loop Filter—Internal Operational Amplifier	5-3
5.3.3	Active Loop Filter—External Operational Amplifier	5-4
6	Parts List, Board Layouts, and Schematics	6-1
6.1	Parts List	6-2
6.2	Board Layout	6-4
6.3	Schematic	6-8

Figures

3-1	Board View	3-2
4-1	Screen View	4-2
5-2	CDC7005 With a Passive Loop Filter Configuration	5-2
5-3	CDC7005 With an Active Loop Filter Using a CDC7005 Integrated OPA	5-3
5-4	CDC7005 With an Active Loop Filter Using OPA341	5-4
6-1	Component View and Silkscreen	6-4
6-2	Top Layer View	6-5
6-3	Bottom Layer View	6-6
6-4	Ground Plane View	6-7
6-5	Power Layer View	6-8

Tables

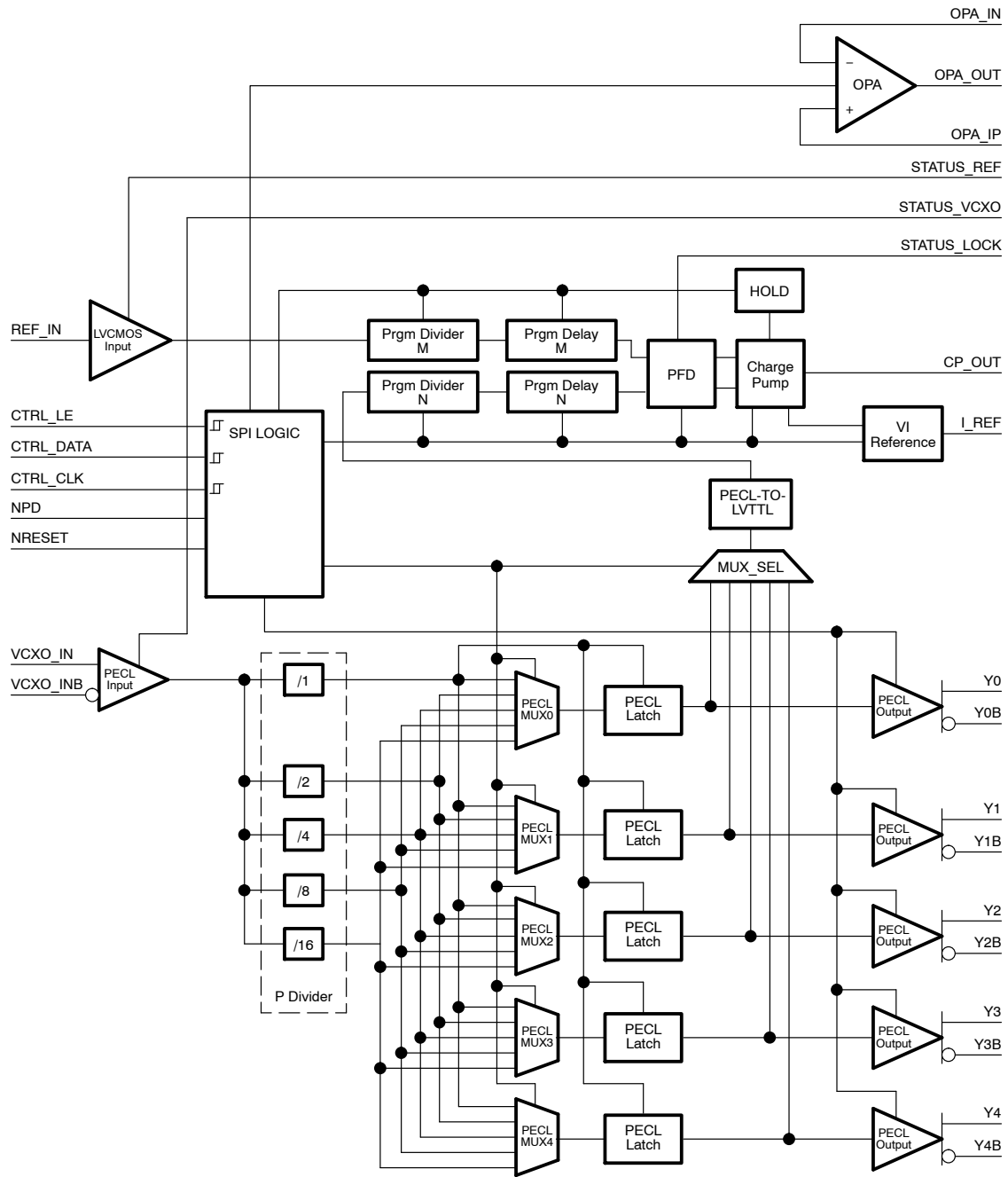
3-1	Connectors, Switches, and Indicators	3-4
3-2	Filter Configurations	3-5

Introduction

The CDC7005 is a high-performance, low phase noise and low skew clock synchronizer that synchronizes an on-board voltage controlled crystal oscillator (VCXO) frequency to an external reference clock. The device operates up to 800 MHz. The PLL loop bandwidth and damping factor can be adjusted to meet different system requirements by selecting the external VCXO, loop filter components, frequency for PFD, and charge pump current. Each of the five differential LVPECL outputs can be programmed by a serial peripheral interface (SPI). The SPI allows individual control of the frequency and enable/disable state of each output. As the system requires external components like a loop filter and VCXO, this EVM provides an excellent way to evaluate and modify the performance and parameters of the clock system in conjunction with the specific customer application. Loop bandwidth can be selected as low as 10 Hz or less, allowing this device to clean the system's clock jitter. The CDC7005 can be used as a simple 1:5 LVPECL buffer with output dividing options.

Topic	Page
1.1 CDC7005 Functional Block Diagram	1-2

1.1 CDC7005 Functional Block Diagram



Quick Start

In order to setup the EVM quickly and to take some measurements at default settings, the following actions are required:

- Supply 3.3 V to P1, LED D4 will be on.
- Apply a single-ended reference clock to the reference clock input (REF_IN). For default setting, the reference clock must be 1/8th of VCXO frequency (if VCXO frequency is 245.76 MHz, then the reference clock must be 30.72 MHz for locking).
- Connect Y0/Y0B (or Y1/Y1B) to oscilloscope in order to check output signal. Ensure the oscilloscope has 50 Ω to ground termination.

After power up, D1 is on if there is a valid reference clock and D2 is on if there is a valid VCXO clock for the CDC7005. If the reference clock and VCXO clocks are phase locked, D3 is on.

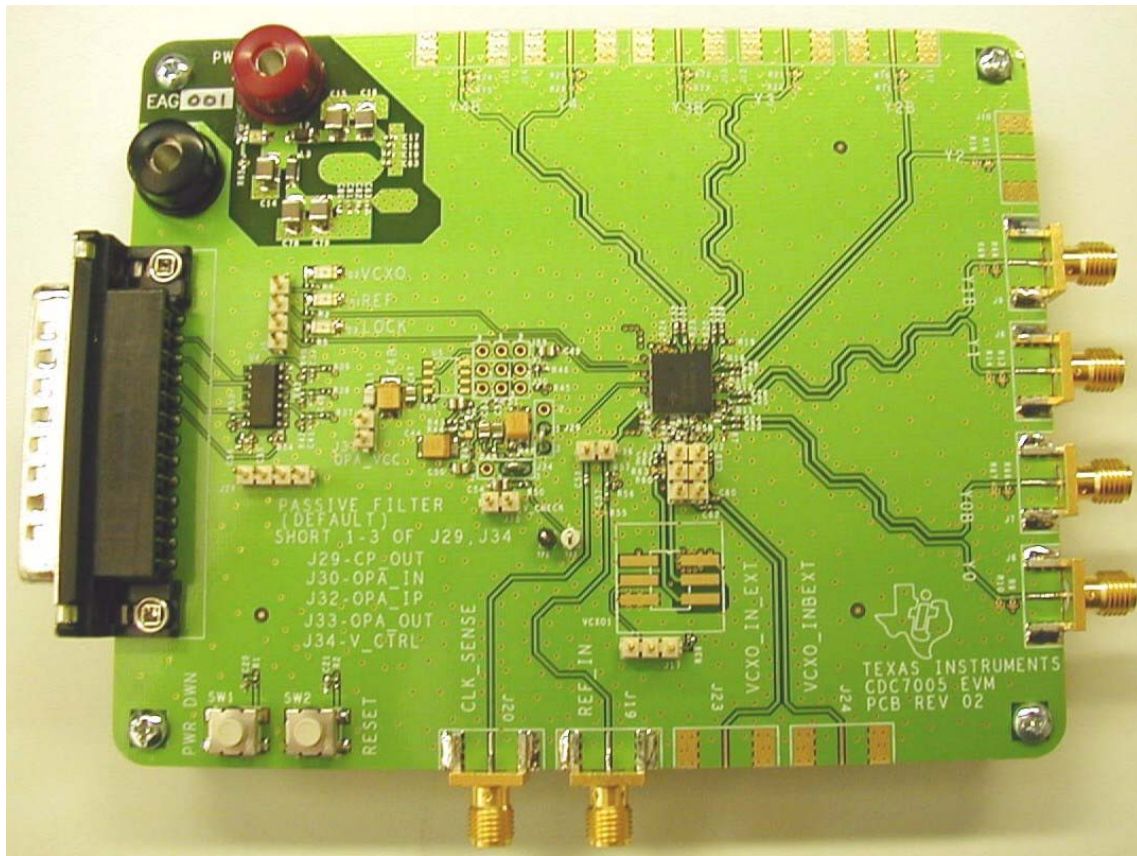
EVM Hardware

This chapter discusses the EVM hardware.

Topic	Page
3.1 Board View and Connector Location	3-2
3.2 Connector Description	3-4
3.3 Hardware Configuration	3-4

3.1 Board View and Connector Location

Figure 3–1. Board View



3.2 Connector Description

Table 3–1. Connectors, Switches, and Indicators

Reference	Description
P1	Power supply 3.3 V
P2	GND
J5	Status outputs (STATUS_LOCK, STATUS_VCXO, STATUS_REF)
J6, J7	Y0/Y0B PECL differential output
J8, J9	Y1/Y1B PECL differential output
J10, J11	Y2/Y2B PECL differential output
J12, J13	Y3/Y3B PECL differential output
J14, J15	Y4/Y4B PECL differential output
J17	VCXO enable
J36	Reference clock input sense enable (on or off)
J19	Reference clock input
J20	Reference clock input sense
J21, J22	VCXO_IN/VCXO_INB input selector/VCXO output selector
J23, J24	External VCXO_IN/VCXO_INB input/VCXO output sense
J27	External programming interface by parallel port
J28	External programming interface by universal pins
J29, J34	Filter type selector
J30	Non-inverted OPA input selector (external or internal OPA)
J31	Power supply for external OPA (on or off)
J32	Inverted OPA input selector (external or internal OPA)
J33	OPA output selector (internal or external OPA)
J35	VCXO control voltage sense
SW1	Power-down key
SW2	Reset key
D1	STATUS_REF indicator
D2	STATUS_VCXO indicator
D3	STATUS_LOCK indicator

3.3 Hardware Configuration

This section describes the board configuration using on-board jumpers and solder bridges.

Note:

Default settings are in italics.

3.3.1 Power Supply (P1, P2)

- Supply 3.3 V \pm 10% on P1 and P2 using a stabilized external power supply.
 - **WARNING: Never supply more than 3.6 V on P1.**

3.3.2 Onboard Switches and Indicators (P1, P2, D1–D4)

- Push SW1 to enter the power-down mode of the CDC7005 device. Then all current sources are switched off, all outputs are switched into 3-state, and all dividers (M, N, and P) are reset to default.
- Push SW2 to enter the reset mode of the device. Then the dividers (M, N, and P) are reset to default.
- The three status outputs of the CDC7005 are fed to LED indicators and to pin header J5. An D1 on condition indicates a valid reference input clock signal, D2 is on if the VCXO input clock is valid, and D3 turns on if PLL has been locked.
- D4 indicates power supply

Default setting: I_{REF} is connected to ground through a 12-k Ω resistor. For default operation, the device uses an internal resistor.

Note:

In case of low input impedance of the VCXO control voltage input, there is a possibility D3 may not turn on to indicate locking.

3.3.3 Programming Interfaces (J27, J28)

The SPI of the device is used for writing to the control register of the device. It consists of three control lines CTRL_CLK, CTRL_DATA, and CTRL_LE. There are four 30-bit wide RAM registers, which can be addressed by the two LSBs of a transferred word. Every transmitted word must have 32 bits, starting with MSB. After supplying power or activating the power-down mode, the registers are loaded with the device default values internally (see the CDC7005 data sheet, SCAS685). However, if specific register settings are required for any applications, there are two ways to program the device externally:

- Connect the parallel port cable to the PC and EVM parallel port. This needs control S/W (see Chapter 5).
- Connecting an external pattern generator to J28. Connect pin 18 of J27 to the ground.

3.3.4 Loop Filter (J29–J35)

The loop filter is one of the key elements determining the loop bandwidth of the PLL. The loop filter converts the charge pump current into the control voltage for the voltage controlled oscillator. The phase difference between the input clocks of the phase frequency detector determines the width of the charge pump output current pulses. These high frequency pulses are transformed into a voltage to control the oscillator.

Basically, three types of loop filters are implemented on the EVM.

- Passive loop filter
- Active loop filter using an operational amplifier (OPA) implemented on the CDC7005.
- Active loop filter using an external low-noise OPA.

Filter types can be selected by soldering the bridges J29–J30 and J32–J34, see Table 3–2. Control voltage of the VCXO can be measured at J35. If an external OPA is used, it needs to be switched on by connecting J31. For example, passive filter operation is provided when pads 1 and 3 of J29 are solder bridged and pads 1 and 3 of J34 are solder bridged.

Default setting: Passive Loop Filter

Note:

Using an active loop filter requires changing of the charge pump direction via SPI programming.

Table 3–2. Filter Configurations

Bridge	Passive Filter	Active With An Internal OPA	Active With An External OPA
J29	1–3	1–2	1–2
J30	Don't care	1–3	1–2
J31	Open	Open	Closed
J32	Don't care	1–2	1–3
J33	Don't care	1–2	1–3
J34	1–3	1–2	1–2

3.3.5 High-Speed Outputs and Inputs (J6–J15 and J19–J20)

The CDC7005 drives five differential LVPECL outputs. All PECL outputs are ac-coupled and terminated with 150 Ω to GND. This is in contrast to typical LVPECL termination, which requires $V_{CC} - 2$ V as termination voltage. The reason is to simplify the power supply scheme. The device output's trace impedance is 50 Ω and traces are matched in length. All outputs have options for pull-up and pull-down resistors.

The reference input clock signal has to be applied to J19. The reference input clock signal can be sensed on J20. In this case, close the bridge J36 (the oscilloscope's 50 Ω may be used to terminate the 50- Ω trace). The reference input clock sense line is matched to the LVPECL outputs line to avoid any additional delay offset. The input is ac-coupled (C57) and properly biased with 100- Ω pull-up and 100- Ω pull-down resistors.

3.3.6 VCXO Inputs and Outputs (J23–J28)

The CDC7005 requires an external VCXO in order to complete the PLL loop. The VCXO adjusts the frequency and phase depending on the control voltage level coming from loop filter and provide the input clock to the LVPECL block.

The circuitry lets the user:

- Measure the on-board VCXO output from outside on J23 and J24 (close 1–3 of J21 and 1–3 of J22).
- Feed the LVPECL clock from an external source into the VCXO_IN/VCXO_INB inputs of the CDC7005. If the CDC7005 is intended to be used as a programmable clock buffer without PLL capabilities, then close 2–3 of J21 and J22. In case of using an external oscillator (or VCXO), close 2–3 of J21 and J22. The VCXO output clock has to be applied on J23 and J24 and VCXO control voltage can be taken on TP1.

Default settings: J17 is open, 1–2 of J21 and J22 are connected.

Note:

This EVM offers universal foot print for VCXO, so it allows the addition of several VCXO's.

Serial Peripheral Interface (SPI) Software⁽¹⁾

This chapter discusses the serial peripheral interface software.

Topic	Page
4.1 Functional Description	4-2
4.2 Software Installation	4-3

1) Copyright 2005 National Instruments Corporation. All Rights Reserved.
Copyright 2005 Texas Instruments Incorporated. All Rights Reserved.

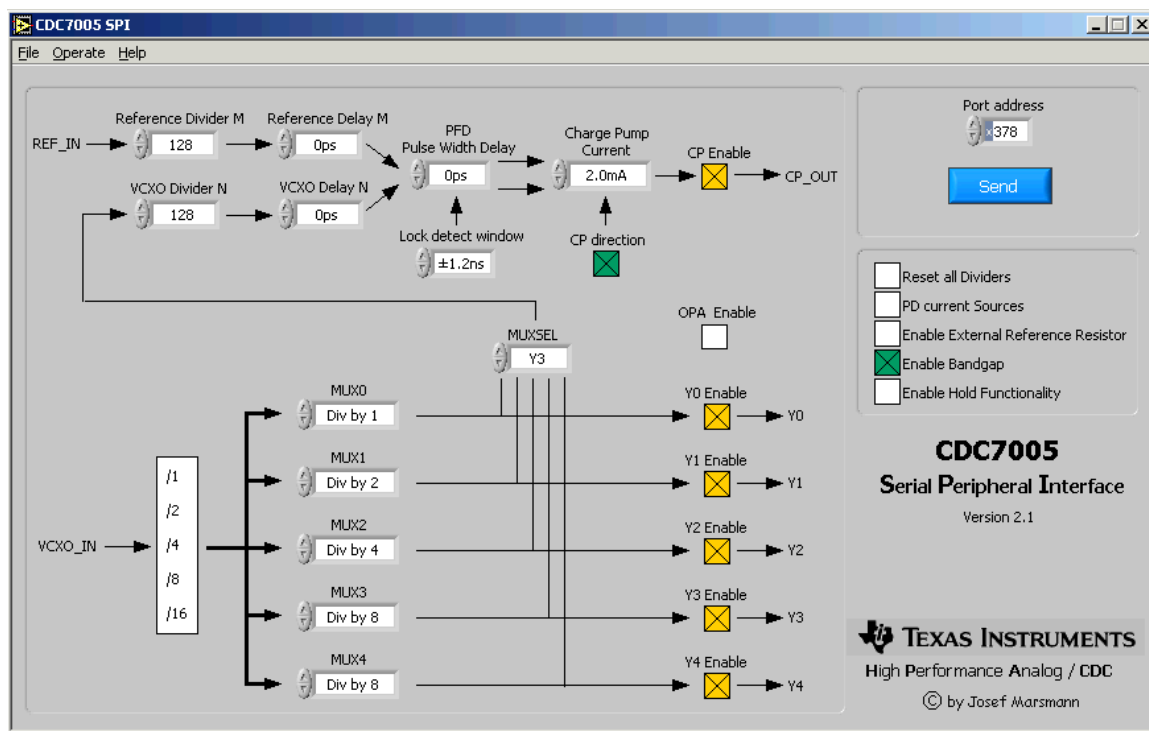
4.1 Functional Description

Programming software is required for programming the internal control register of the CDC7005 in the EVM. The software runs under Windows 2000 / XP / XP *64. A quick installation is required prior to use. See Section 4.2 *Software Installation*.

There are several cases where programming is mandatory:

- Using an active loop filter
- Reference clock and VCXO clock do not have a ratio of 1:8.
- Changing of divider ratio or disabling of certain LVPECL output
- Changing of phase offset, (delay M/N)
- Changing of charge pump output current
- Widening the lock detect window

Figure 4–1. Screen View



4.2 Software Installation

Use the following steps to install the SPI control software.

- 1) Download the CDC7005 SPI Software from the TI Website (www.ti.com)
- 2) Run program setup.exe
- 3) Reboot your computer
- 4) Run the software from Start -> Programs -> CDC7005 SPI Parallel EVM

Application Level Circuit Diagram

This chapter discusses the application level circuit diagram.

Topic	Page
5.1 Application Level Circuit Diagram	5-2

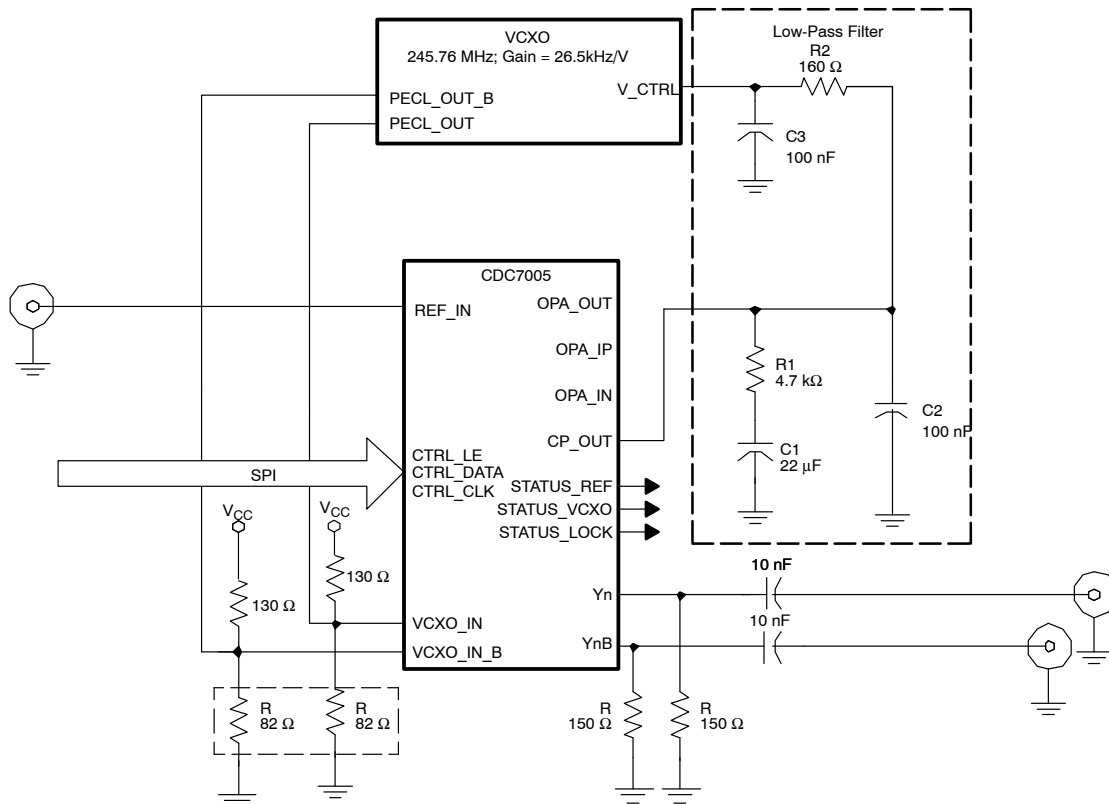
5.1 Application Level Circuit Diagram

In the following applications sections all three loop filter configurations are discussed.

5.1.1 Passive Loop Filter

The passive loop filter is a second order filter (two poles, one zero). The zero is required for the overall loop stability. R1, C1, and C2 generate the dominant pole of the system. A second pole is introduced by R2 and C3.

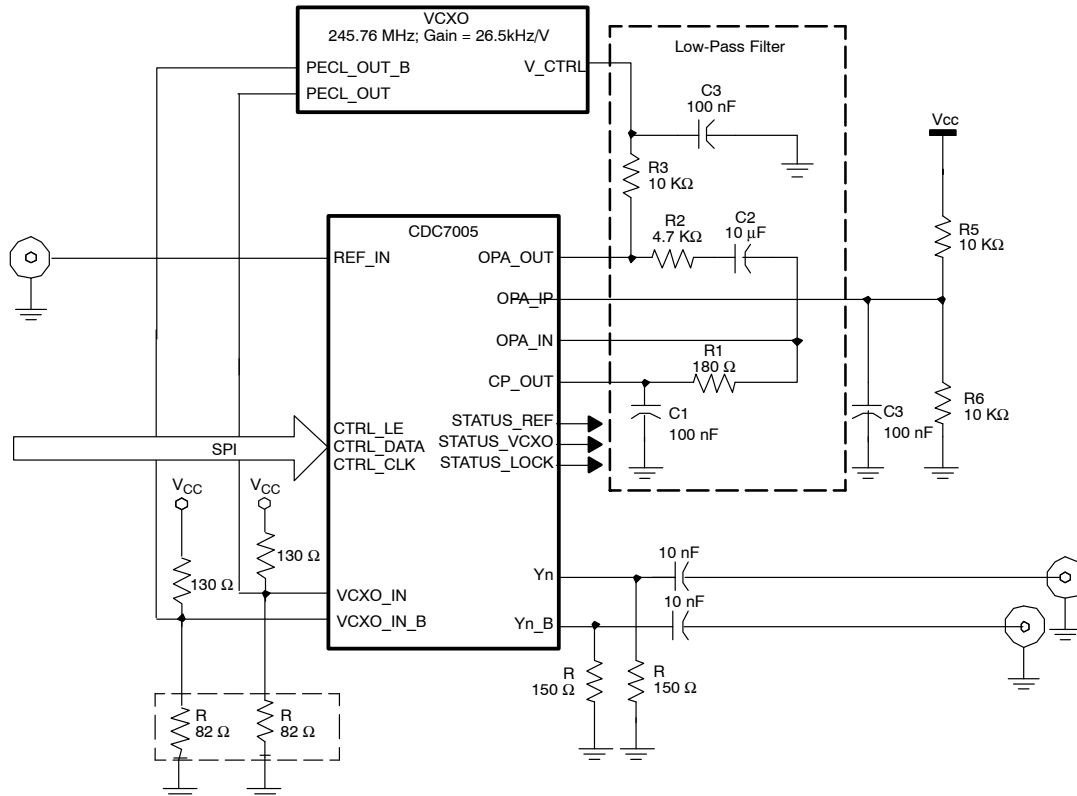
Figure 5–1. CDC7005 With a Passive Loop Filter Configuration



5.1.2 Active Loop Filter—Internal Operational Amplifier

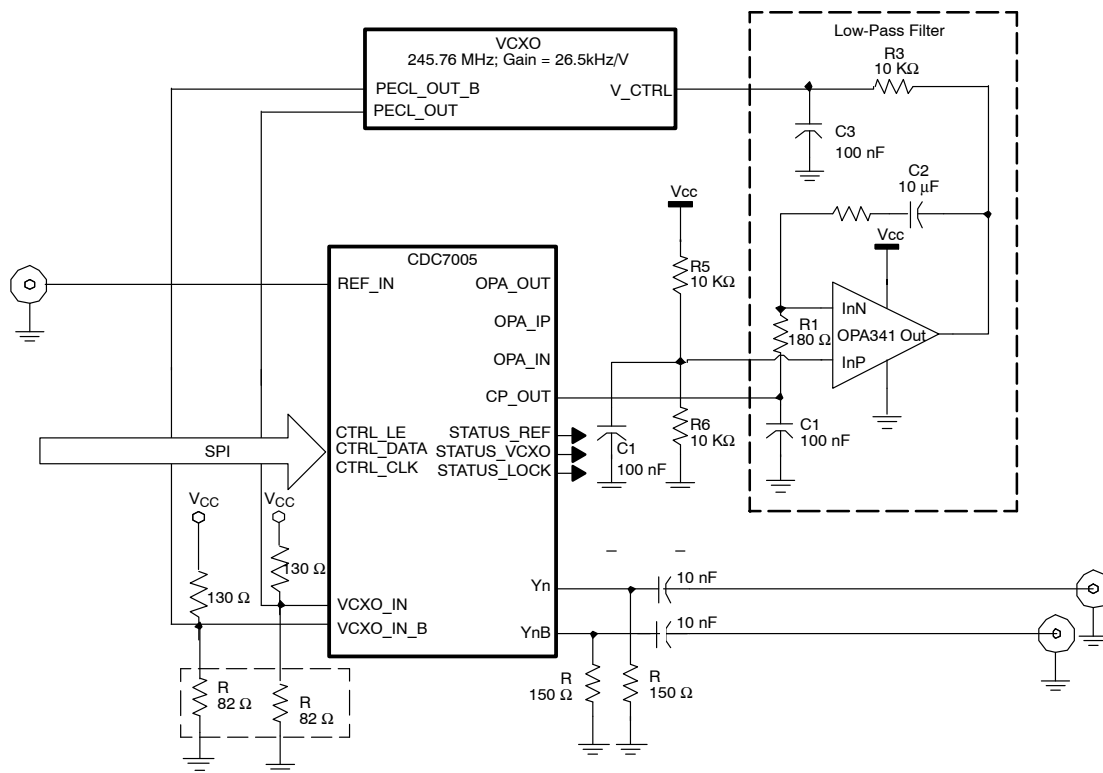
The active loop filter requires zero for loop stability, which is generated by R2 and C2 components. The first pole is introduced by R3 and C3 and the second pole is introduced by R1 and C1.

Figure 5-2. CDC7005 With an Active Loop Filter Using a CDC7005 Integrated OPA



5.1.3 Active Loop Filter—External Operational Amplifier

Figure 5–3. CDC7005 With an Active Loop Filter Using OPA341



Parts List, Board Layout, and Schematic

This chapter contains the parts list, board layout, and schematic for the CDC7005 EVM.

Topic	Page
6.1 Parts List	6-2
6.2 Board Layout	6-4
6.3 Schematic	6-8

6.1 Parts List

Item	Qty	Reference Designator	Part	Part Number	Note
1	3	C14, C15, C78	22 μ F, 16 V 20% tantalum TE SMD	Panasonic ECS-T1CC226R	
2	4	C16, C64, C65, C79	10 μ F, 16 V TANT TEH SER SMD	Panasonic ECS-H1CC106R	
3	4	C17, C80, C35, C55	0.1 μ F, 16 V ceramic Y5V 0402	Yageo 04022F104Z7B20D	
4	2	C81, C18	0.033 μ F, 10% 16 V X5R 0402 ceramic	AVX 0402YD333KAT2A	
5	22	C19, C23, C24, C25, C26, C27, C28, C29, C30, C31, C32, C57, C58, C60, C62, C63, C66, C67, C68, C69, C82, C83	0.01 μ F, 25 V ceramic X7R 0402	Panasonic ECJ-0EB1E103K	
6	2	C21, C20	0.01 μ F, 50 V ceramic Y5V 0402	Panasonic ECJ-0EF1H103Z	
7	6	C34, C56, C74, C75, C76, C77	100 pF, 25 V ceramic X7R 0402	Panasonic ECJ-0EB1E101K	
9	3	C39, C40, C41	Ceramic 10 pF, 25 V C0G 0402	Panasonic ECD-G0E100C	
10	7	C42, C47, C49, C50, C52, C53, C54	0.1 μ F, 16 V film 0805 20%	Panasonic ECP-U1C104MA5	Must be film cap
11	1	C43	NU	Panasonic ECP-U1C104MA5	
12	2	C44, C48	10 μ F, 25 V 10% X5R 1210 ceramic	Murata GRM32DR61E106KA12L	
13	1	C51	22 μ F, 10 V 10% X7R 1210 ceramic	Murata GRM32ER71A226KE20L	
14	4	C59, R60, R61, C61	0 Ω	Panasonic ERJ-2GE0R00X	
15	4	C70, C71, C72, C73	0.022 μ F 10% 16 V X7R 0402	AVX 0402YC223KAT2A	
16	3	D1, D2, D3	LED, amber	Lite-On LTST-C150AKT	
17	1	D4	LED, green	Lite-On LTST-C150KGKT	
18	2	J5, J28	HDR4	Header 4 pos, 0.100 ctr	
19	6	J6, J7, J8, J9, J19, J20	SMA CONN	Johnson Comp 142-0701-841	
20	8	J10, J11, J12, J13, J14, J15, J23, J24	NU SMA CONN		
21	3	J17, J21, J22	HDR3	Header 3 pos, 0.100 ctr	
22	1	J27	CONN 25-pin male DSUB	SPC Technology DB-25P-PCB	

Item	Qty	Reference Designator	Part	Part Number	Note
23	5	J29, J30, J32, J33, J34	NU HDR	Not used (header 3 pos, 0.100 ctr)	J29, J34 pin 1-3 shorted
23a	2	MP4	Jumper wire, 00.1" long	3M/ESD 923345-01-C	To short pin 1 and 3 of J29, J34
24	3	J31, J35, J36	HDR2	Header 2 pos, 0.1 ctr	
25	1	L1	Inductor chip 20.2NH 20% SMT	J W Miller Magnetics PM0805-2N2M	
26	2	L3, L2	75 Ω at 100 MHz	Murata BLM31PG500SN1L	
27	1	P1	PWR_IN banana jack	Pomona Model 3267	
28	1	P2	GND banana jack	Pomona Model 3267	
29	9	R1, R2, R36, R45, R46, R47, R51, R53, R54	100 k Ω 1/16W 1% 0402 SMD	Panasonic ERJ-2RKF1002X	
30	3	R3, R4, R5	750 Ω 1/16W 5% 0402 SMD	Panasonic ERJ-2GEJ751X	
31	1	R6	12 k Ω 1/16W 5% 0402 SMD	Panasonic ERJ-2GEJ123X	
32	10	R7, R8, R11, R12, R15, R16, R19, R20, R23, R24	150 Ω 1/16W 1% 0402 SMD	Panasonic ERJ-2RKF1500X	
33	20	R9, R10, R13, R14, R17, R18, R21, R22, R25, R26, R66, R67, R68, R69, R70, R71, R72, R73, R74, R75	NU RES	Panasonic ERJ-2RKF1000X	
34	5	R37, R38, R39, R56, R57	100 Ω 1/16W 1% 0402 SMD	Panasonic ERJ-2RKF1000X	
35	4	R40, R41, R42, R50	100 k Ω 1/16W 1% 0402 SMD	Panasonic ERJ-2RKF1003X	
36	1	R43	180 Ω 1/16W 5% 0402 SMD	Panasonic ERJ-2GEJ181X	
37	2	R48, R44	40.7 k Ω 1/16W 5% 0402 SMD	Panasonic ERJ-2GEJ472X	
38	1	R49	160 Ω 1/16W 5% 0402 SMD	Panasonic ERJ-2GEJ161X	
39	1	R55	NU	Panasonic ERJ-2GEJ510X	
40	2	R62, R58	130 Ω 1/16W 5% 0402 SMD	Panasonic ERJ-2GEJ131X	
41	2	R59, R64	82 Ω 1/16W 5% 0402 SMD	Panasonic ERJ-2GEJ820X	
42	1	R63	NU	NU	
43	1	R65	10.5 k Ω 1/16W 1% 0402 SMD	Panasonic ERJ-2RKF1501X	
44	2	SW2, SW1	SW pushbutton	KT11P3JM	

Item	Qty	Reference Designator	Part	Part Number	Note
45	1	TP2	T point PC BLK	Keystone Elec 5011	
45a	1	TP1	T point PC WHT	Keystone Elec 5012	
46	1	U1	CDC7005ZVA	Texas Instruments CDC7005ZVAT	
47	1	U4	SN74LV125	Texas Instruments SN74LV125AD	
48	1	U5	OPA341	Texas Instruments OPA341UA	
49	1	VCXO1	TCO 2111	Epson Toyocom VCXO	
50	4	MP3	Stand off		Legs for PCB
51	4	MP2	Screw		Legs for PCB

6.2 Board Layout

Figure 6-1. Component View and Silkscreen

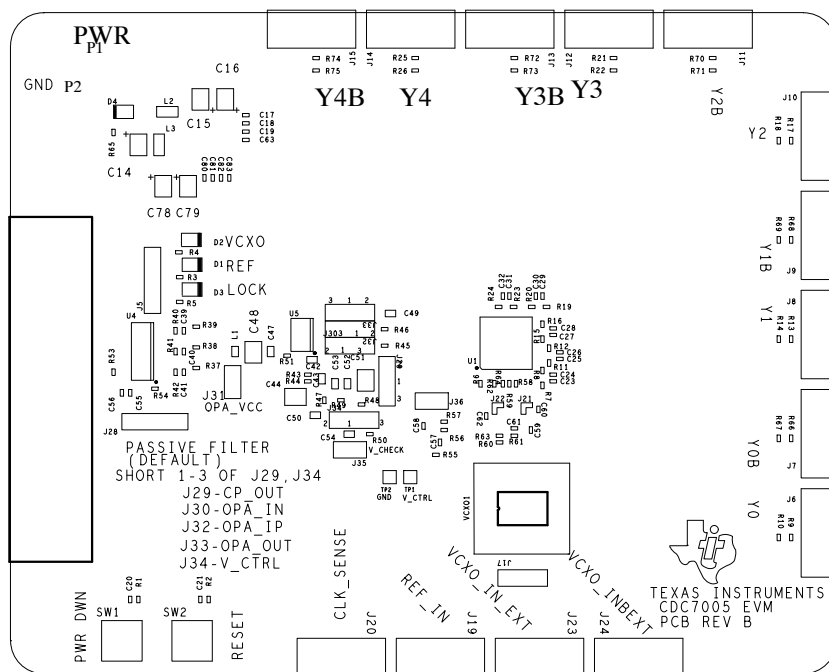


Figure 6-2. Top Layer View

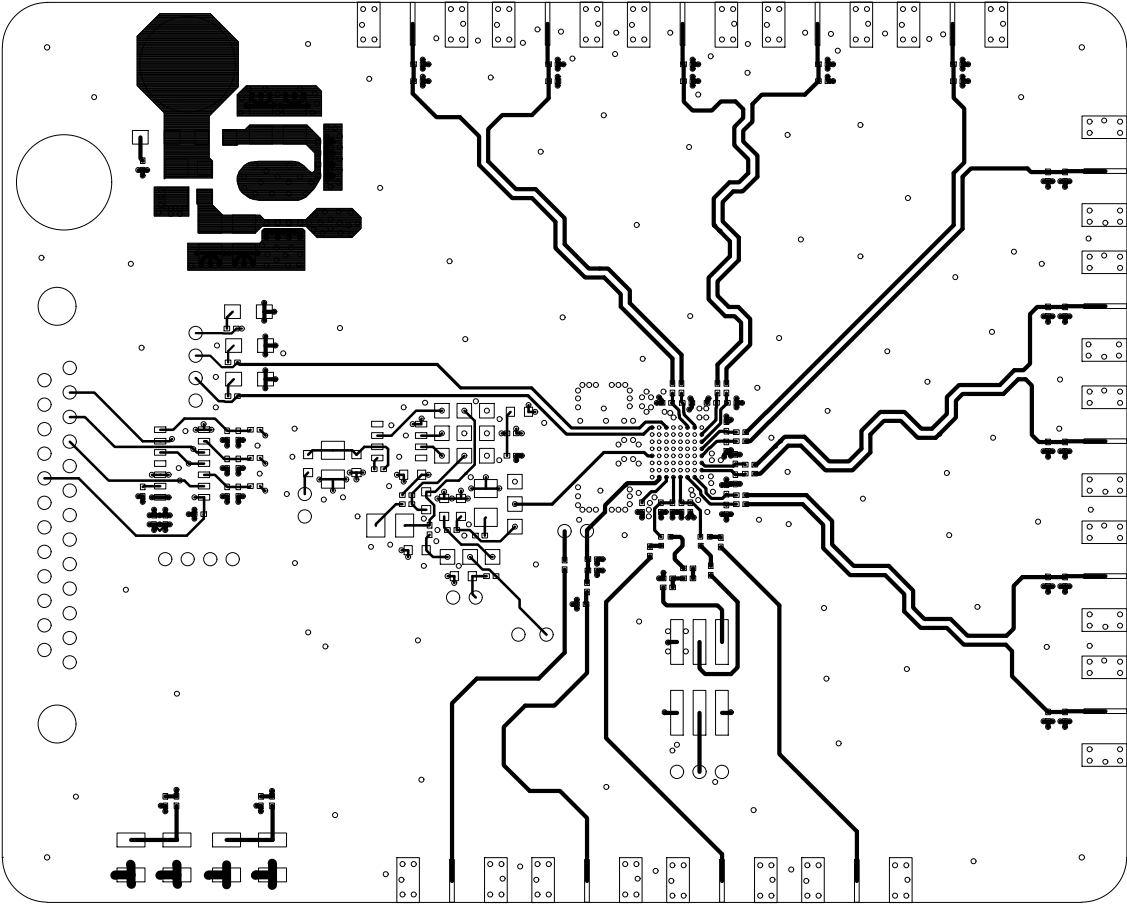


Figure 6-3. Bottom Layer View

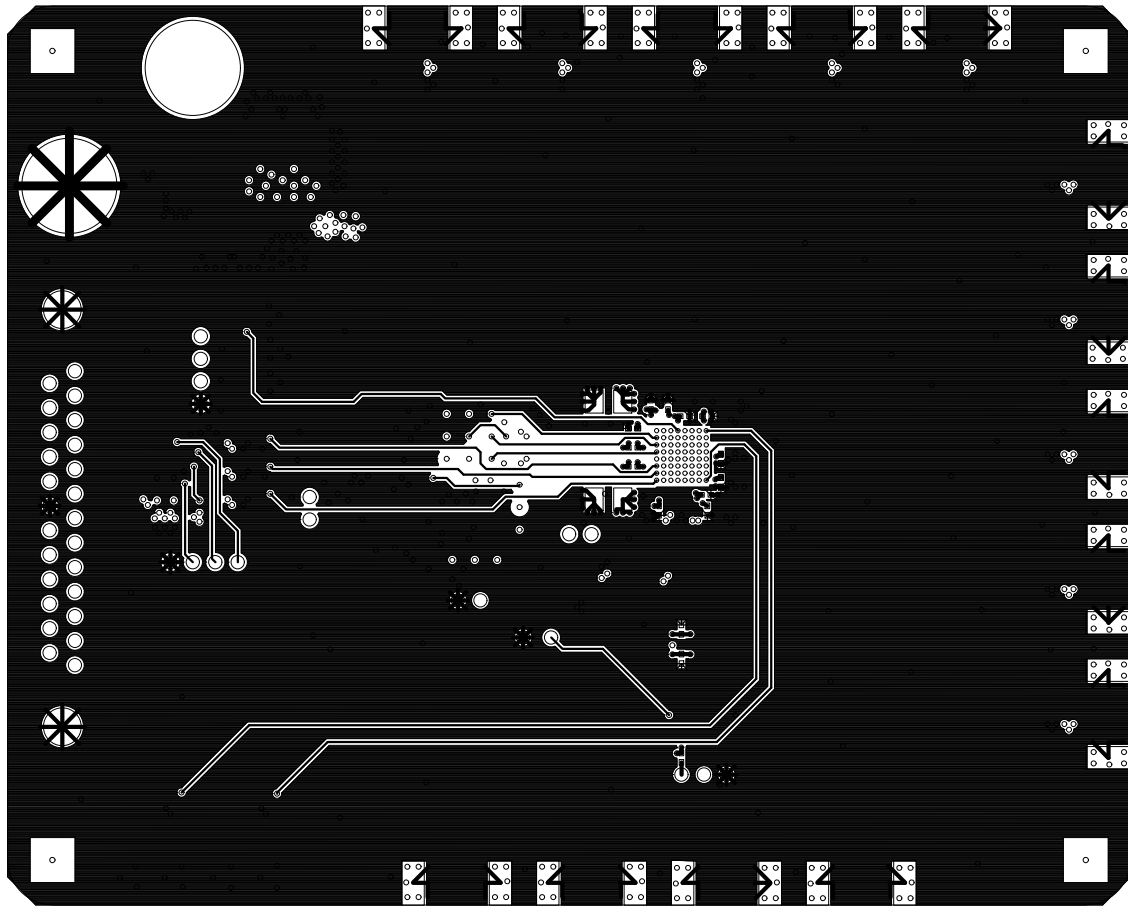


Figure 6-4. Ground Plane View

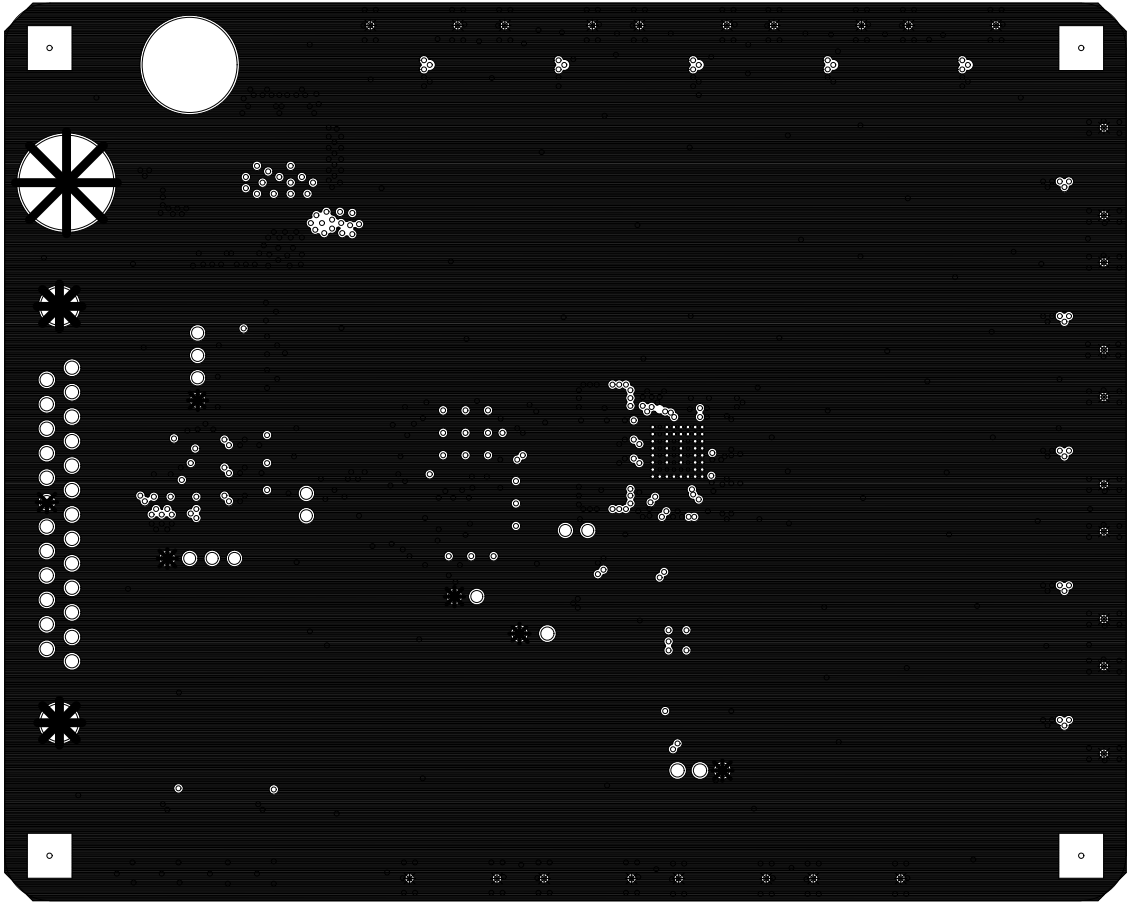
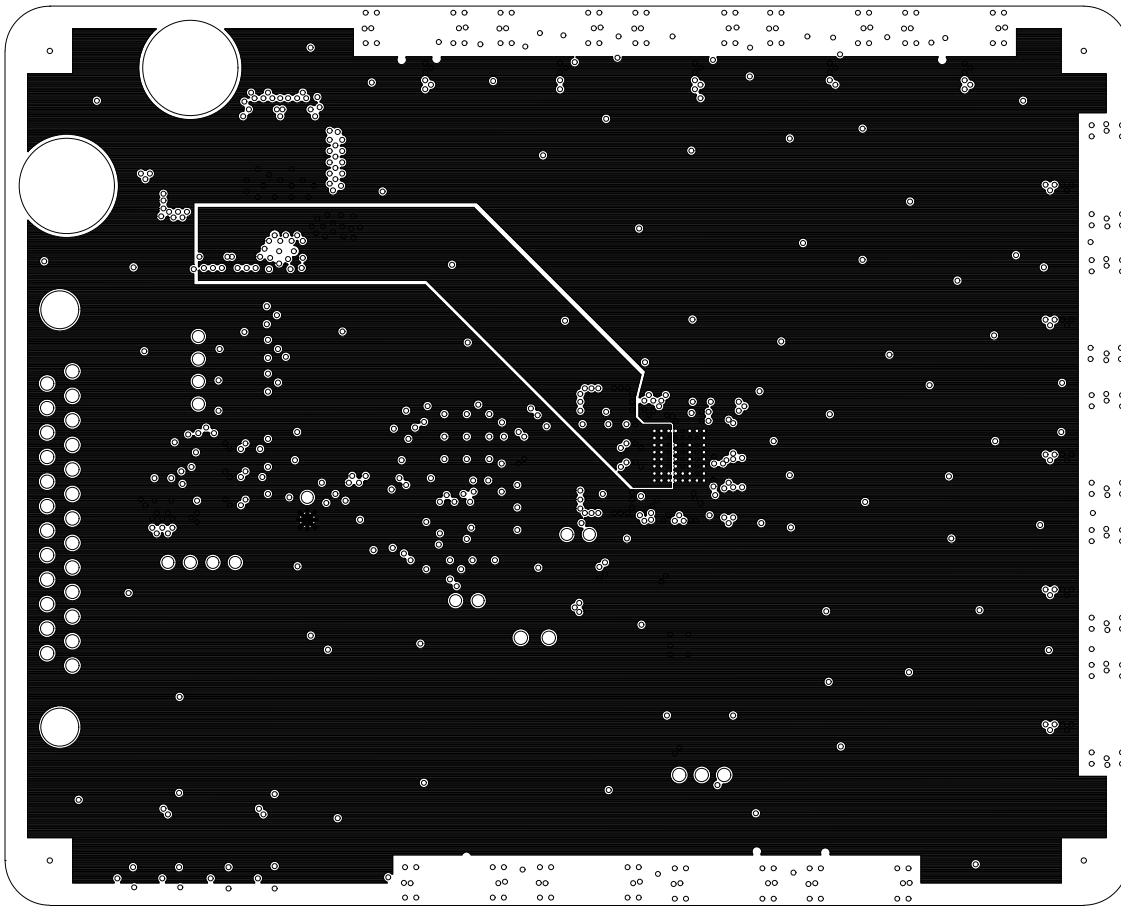
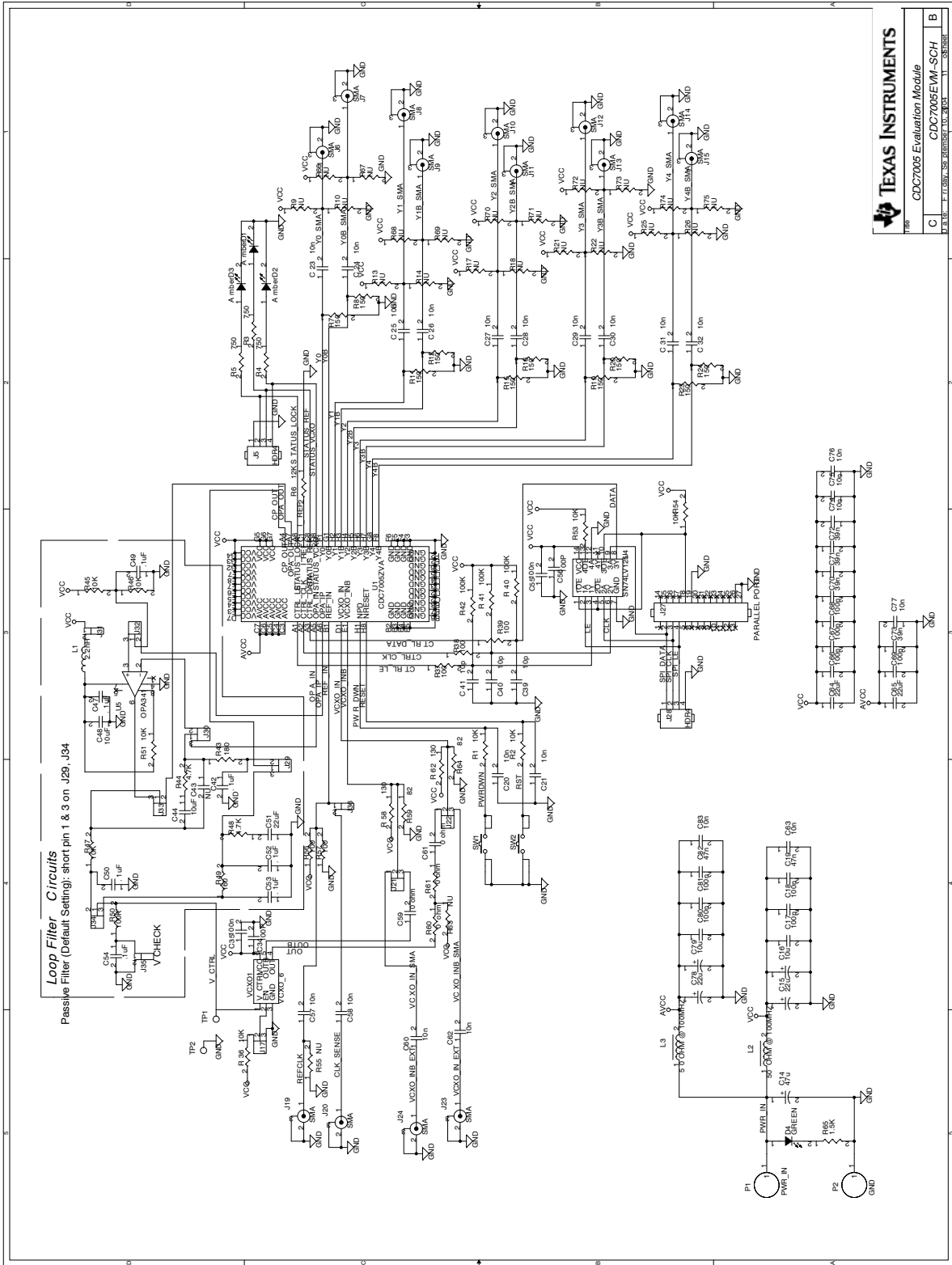


Figure 6–5. Power Layer View



6.3 Schematic

The following page contains the schematic for the CDC7005.



TEXAS INSTRUMENTS	
CD7005 Evaluation Module	
CDC7005EVM-SCH	
C	B