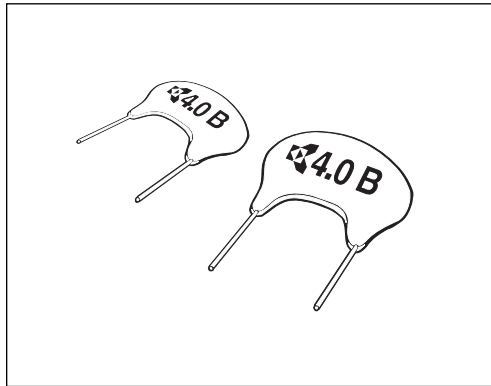


# MHz Band Leaded Ceramic Resonators

## KBR, -M, -MS, -MSA, -MSB Series



$f_0$ : 2.00 to 12.00MHz



### HOW TO ORDER

#### KBR - 4.00 MSA TR

- ①      ②      ③      ④

- ① **Type:** (Kyocera Bulk Resonator)
- ② **Oscillation Frequency:** (MHz)
- ③ **Resonator Type:**
  - M = 6.01 to 12.00MHz
  - MS = 2.00 to 3.57MHz
  - MSA = 3.58 to 8.00MHz (Water Resistance)
  - MSB = 3.58 to 6.00MHz (No Clean)
- ④ **Packaging:** TR= tape and reel (14" = 2000 pcs)  
Blank  = Bulk (2000 pcs)

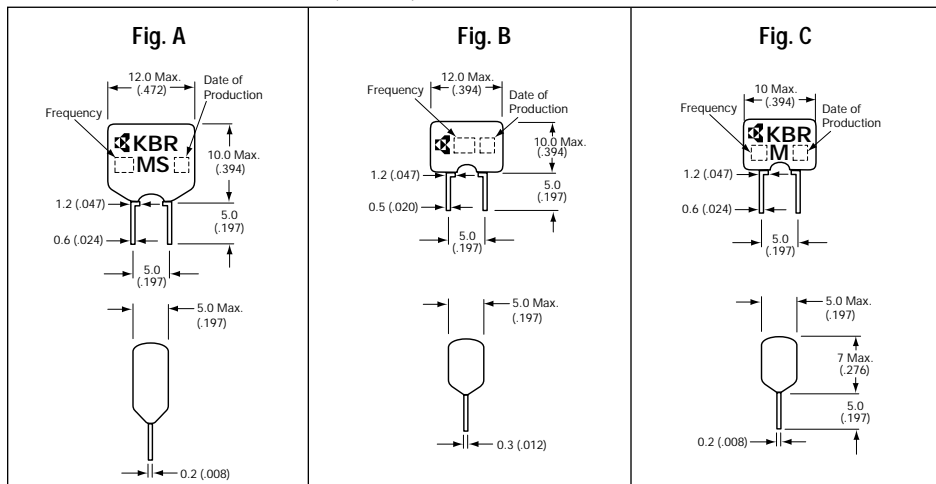
### Specifications

Series	MS	MSA/MSB	M
Dimension	Fig. A	Fig. B	Fig. C
Frequency Range	2.00 to 3.50MHz	3.51 to 8.00MHz	8.01 to 12.00MHz
Frequency Tolerance	±0.5%	0.5%	±0.5%
Resonant Resistance	100Ω Max.	30Ω Max.	40Ω Max.
Temperature Characteristics			

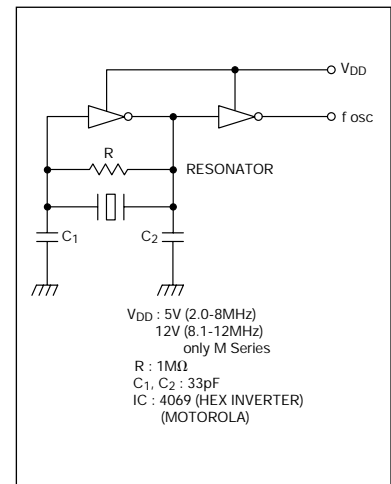
### KBR-3.58MSA - 200 Series for Telephone D.T.M.F. Applications

P/N	Frequency	Frequency Tolerance	Resonant Resistance	Temperature Stability (-20 to +80°C)	Dimensions
KBR-3.58MSA-201	3.5795MHz	+0 -0.25%	30Ω Max.	±0.3%	Fig. B
KBR-3.58MSA-202		+0.15 -0.10%			
KBR-3.58MSA-203		+0.30 -0.05%			
KBR-3.58MSA-204		+0.45 +0.20%			
KBR-3.58MSA-205		+0.60 +0.35%			
KBR-3.58MSA-206		-0.30 -0.55%			
KBR-3.58MSA-207		-0.15 -0.40%			

### Dimensions: millimeters (inches)



### Test Circuit



Additional information on this product is available from AVX's catalog or AVX's FAX Service. Call 1-800-879-1613 and request document #129. Visit our website <http://www.avxcorp.com>

