

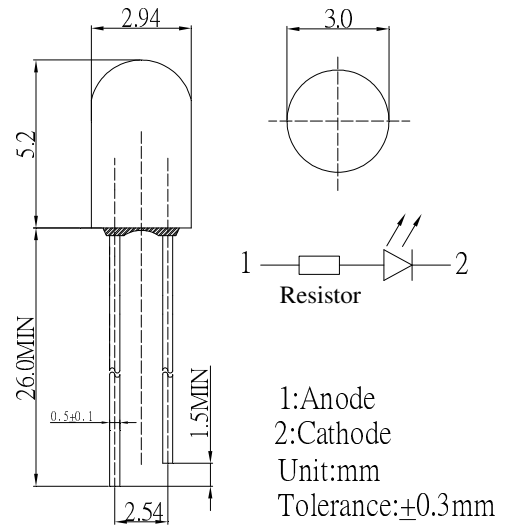
■ Features

- High Luminous LEDs
- 3mm Round Standard Directivity
- UV Resistant Epoxy
- Integral Current Limiting Resistor
- TTL Compatible (Requires No External Current Limiter With 12 Volt Supply)
- Cost Effective (Saves Space and Resistor Cost)
- Water Clear Type

■ Applications

- Status Indicators
- Other Lighting

■ Outline Dimension

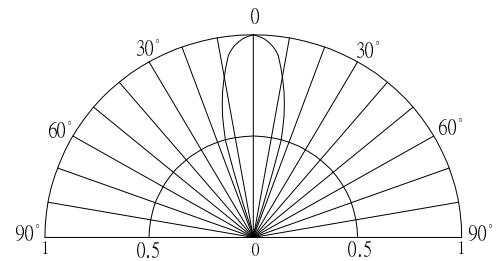


■ Absolute Maximum Rating

(Ta=25°C)

Item	Symbol	Value	Unit
DC Forward Voltage	V _F	15	V
Reverse Voltage	V _R	12	V
Power Dissipation	P _D	225	mW
Operating Temperature	Topr	-30 ~ +85	°C
Storage Temperature	Tstg	-30 ~ +85	°C
Lead Soldering Temperature	Tsol	260°C / 5sec	-

■ Directivity



■ Electrical -Optical Characteristics

(Ta=25°C)

Part Number	Color		I _F (mA)			I _v (mcd)*			λD(nm)*			2θ1/2(deg)
			Min	Typ.	Max.	Min.	Typ.	Max.	Min.	Typ.	Max.	Typ.
			V _F = 12V			V _F = 12V						
OSW5DK3E31B-12V	White	W	-	10	15	3000	4200	-	X=0.27, Y=0.28(CCT:8500-18000K)			30
OSM5DK3E31B-12V	Warm White	M	-	10	15	2180	3000	-	X=0.44, Y=0.41(CCT:2700-3300K)			30
OSB5SA3E31B-12V	Blue	B	-	10	15	1560	2180	-	465	470	475	30
OSG5DA3E31B-12V	Pure Green	G	-	10	15	3000	4200	-	520	525	530	30
OSY5PA3E31B-12V	Yellow	Y	-	10	15	2180	3000	-	585	590	595	30
OSO5PA3E31B-12V	Orange	O	-	10	15	2180	3000	-	600	605	610	30
OSR5PA3E31B-12V	Red	R	-	10	15	2180	3000	-	620	625	630	30

*1 Tolerance of measurements of chromaticity coordinate is ±10%

*2 Tolerance of measurements of dominant wavelength is ±1nm

*3 Tolerance of measurements of luminous intensity is ±15%

*4 Tolerance of measurements of forward voltage is ±0.1V