

**PLEASE CHECK WWW.MOLEX.COM FOR LATEST PART INFORMATION**

**Part Number:** [15-04-0219](#)  
**Status:** **Active**  
**Overview:** [KK® Interconnect System - Molex](#)  
**Description:** 3.96mm Pitch KK® Polarizing Key without Boss

**Documents:**

[3D Model](#) [RoHS Certificate of Compliance \(PDF\)](#)  
[Drawing \(PDF\)](#)

**General**

Product Family	Accessories
Series	<a href="#">2560</a>
Component Type	Polarizing Key
Overview	<a href="#">KK® Interconnect System - Molex</a>
Product Name	KK®
UPC	800753605404

**Physical**

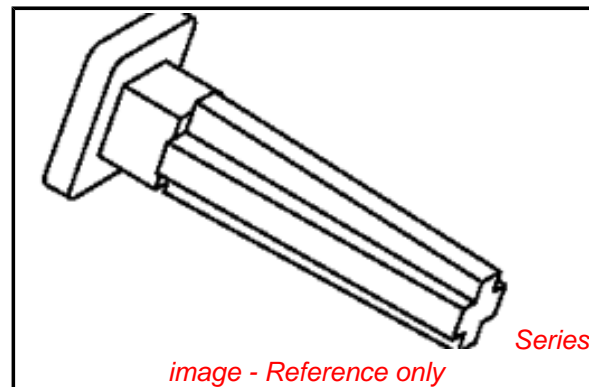
Circuits (Loaded)	1
Color - Resin	Natural
Lock to Mating Part	No
Material - Resin	Nylon
Net Weight	0.037/g
Packaging Type	Bag

**Material Info**

Old Part Number	2560-1
-----------------	--------

**Reference - Drawing Numbers**

Sales Drawing	SD-2560
---------------	---------



*image - Reference only*

**EU RoHS**

**ELV and RoHS  
Compliant**  
**REACH SVHC  
Contains SVHC: No**  
**Low-Halogen Status  
Low-Halogen**

**China RoHS**



**Need more information on product  
environmental compliance?**

Email [productcompliance@molex.com](mailto:productcompliance@molex.com)  
 For a multiple part number RoHS Certificate of Compliance, [click here](#)

Please visit the [Contact Us](#) section for any non-product compliance questions.

**Search Parts in this Series**

[2560Series](#)

**Use With**

[2139](#) KK® Crimp Terminal. [2145](#) KK® PC Board Connector

**PLEASE CHECK WWW.MOLEX.COM FOR LATEST PART INFORMATION**