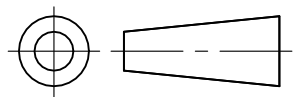


DO NOT SCALE

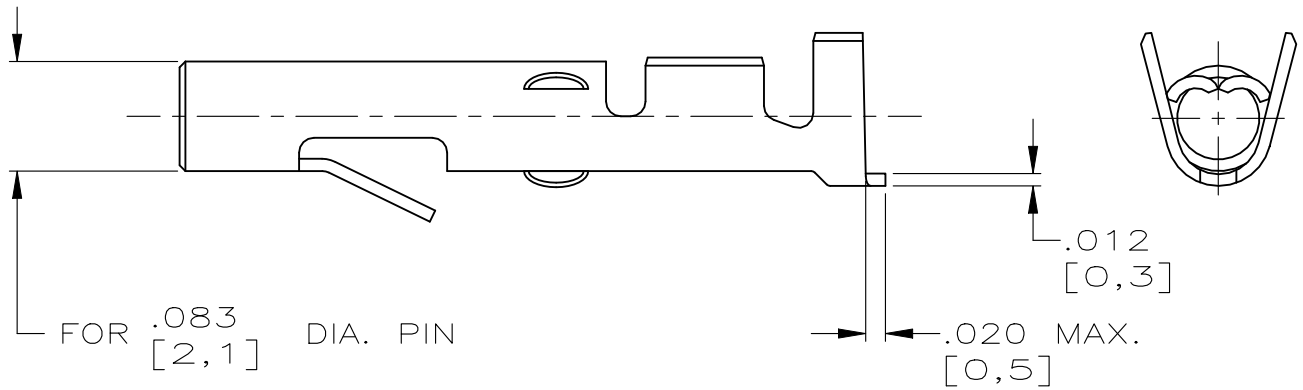
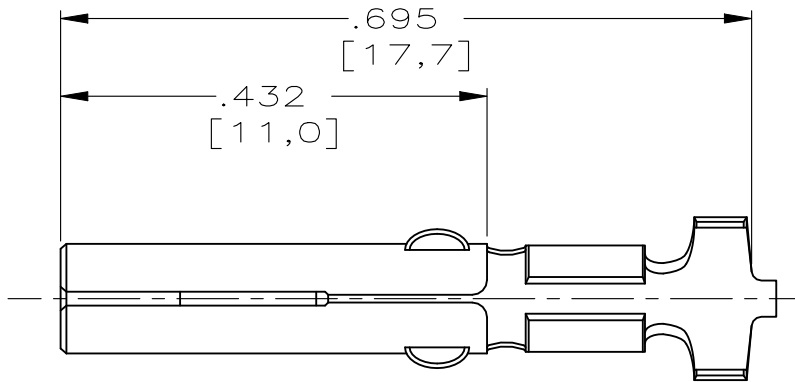
DIMENSIONS IN INCH

INCH

THIRD ANGLE  
PROJECTION



WIRE RANGE :  
0,5-1,0mm<sup>2</sup> AWG  
INSULATION RANGE :  
.070-.130 DIA.  
(1,8-3,3)



	PRE TIN	Ph BRONZE	163304-4
	NONE	Ph BRONZE	163304-3
	PRE TIN	BRASS	163304-2
OBSOLETE	NONE	BRASS	-163304-1-
	FINISH	MATERIAL	PARTNUMBER

CUSTOMER DRAWING FOR REFERENCE ONLY  
WILL NOT BE UPDATED

THIS DRAWING IS UNPUBLISHED  
RELEASED FOR PUBLICATION \_\_\_\_\_, 19\_\_\_\_



NAME  
POCKET MATE-N-LOK  
LOOSE PIECE

D2	REVISED PER ECR-21-101087	PJ	VS	05MAY2021
D1	REVISED PER ECO-11-005294	RK	HMR	02APR11
LTR.	REVISION RECORD	DR.	CHK.	DATE

DR.:	D.KESSLER	CHK.:	P.BEJNON	APP.:	-	DWG.No.	163304	REV.LTR.	D2	SHEET	1 OF 1	A2
DATE:	-	DATE:	-	DATE:	-							

# Mouser Electronics

Authorized Distributor

Click to View Pricing, Inventory, Delivery & Lifecycle Information:

[TE Connectivity:](#)

[163304-2](#)