



*Single or multi mode. Ceramic ferrule. 0.5 dB loss.* Size 20HD fiber optic termini are compatible with Series 806 connectors with size 20HD contact arrangements. These snap-in, rear release termini feature precision ceramic ferrules for accurate fiber alignment. Typical insertion loss 0.5 dB. Fits 50/125 and 62.5/125 multi mode and 9/125 single mode fiber.

#20HD Fiber Optic Termini for Series 806 Connectors				
Termini Type	Optical Fiber Type	Part Number	ØA Ferrule Hole	Fiber Size Core/Cladding
Pin	Single Mode	<a href="#">181-134-1255</a>	125.5 microns	9/125
Pin	Multi Mode	<a href="#">181-134-126</a>	126.0 microns	50/125, 62.5/125
Socket	Single Mode	<a href="#">181-135-1255</a>	125.5 microns	9/125
Socket	Multi Mode	<a href="#">181-135-126</a>	126.0 microns	50/125, 62.5/125

**Specifications**

- Operating temperature: -55°C to +125°C  
*Temperature rating depends on the cable and epoxy used.*
- Termination method: epoxy/polish
- Mating durability: 500 cycles
- Random vibration: 49.5 Grms, EIA-364-28 Test Condition V. Maximum optical discontinuity 0.5 dB, 50 microseconds.
- Mechanical shock: 300 G, TIA-455-14 Test Condition D. Maximum optical discontinuity 0.5 dB, 50 microseconds.

**Construction**

- Ferrule, alignment sleeve: zirconia ceramic
- Body, shroud: copper/nickel/zinc alloy
- Spring (socket, not shown): stainless steel, passivated
- Protective cover (socket): copper alloy, nickel plated

**Termination Tools**

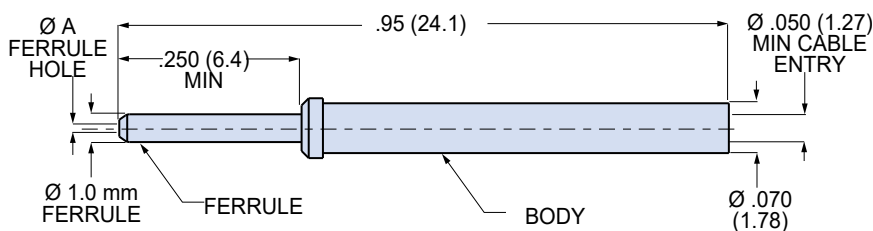
- Polishing pucks

Puck Style	Type	Tool PN
Pin	dry polish	<a href="#">182-056P</a>
	wet polish	<a href="#">182-056PW</a>
Socket	dry polish	<a href="#">182-056S</a>
	wet polish	<a href="#">182-056SW</a>

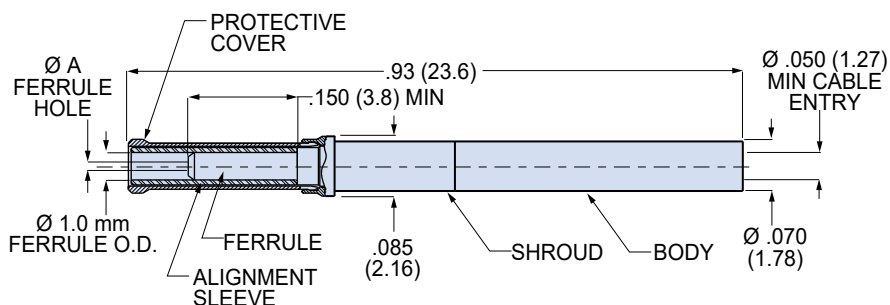
**Assembly Tools**

- Plastic insertion/extraction tool: 809-203D
- Metal insertion/extraction tool: 809-203

**#20HD Pin Terminus 181-134**



**#20HD Socket Terminus 181-135**



# Mouser Electronics

Authorized Distributor

Click to View Pricing, Inventory, Delivery & Lifecycle Information:

[Glenair:](#)

[182-056PW](#) [182-056SW](#)