

## Industrial 24mm Diameter 5 Watt, Wirewound Rotary Potentiometer

### Features

- Dust-proof construction
- Precision linearity
- 5 watt power rating
- Superior resistance stability in temperature and environment change
- Tandem constructions available
- Bushing or twist tab mounting
- Available with pull-push and rotary power switches
- RoHS compliant



## Electrical and Mechanical Specifications

### Resistance Range

Linear : 1 ohm through 25K ohms  
Audio : 20 ohms through 10K ohms

### Resistance Tolerance

±20%, ±10%, ±5%

### Power Rating

5 watts @ 25°C

### Dielectric Strength

1,000 VAC for 1 minute

### Maximum Operating Voltage

500 VDC

### Insulation Resistance

100 Megohms minimum @ 250 VDC

### Rotational Angle

Mechanical Angle: 300°±5°  
Effective Angle:  
Without switch: 280°  
With switch: 240°

### Rotational Torque

3/4 to 6 in. oz. (54 - 432 gf-cm)

### Linearity (linear curve only)

Standard: 3% linearity  
Special : 2% linearity

### Mounting Information

Bushing Mount  
Twisted Tab

### Power Switch

Rotary Switch-SPST, DPST, SPDT  
Pull-Push Switch-SPST (Pull-ON, Push-OFF)

### Rotational Life

standard : 10,000 cycles  
special : 50,000 , 100,000 cycles

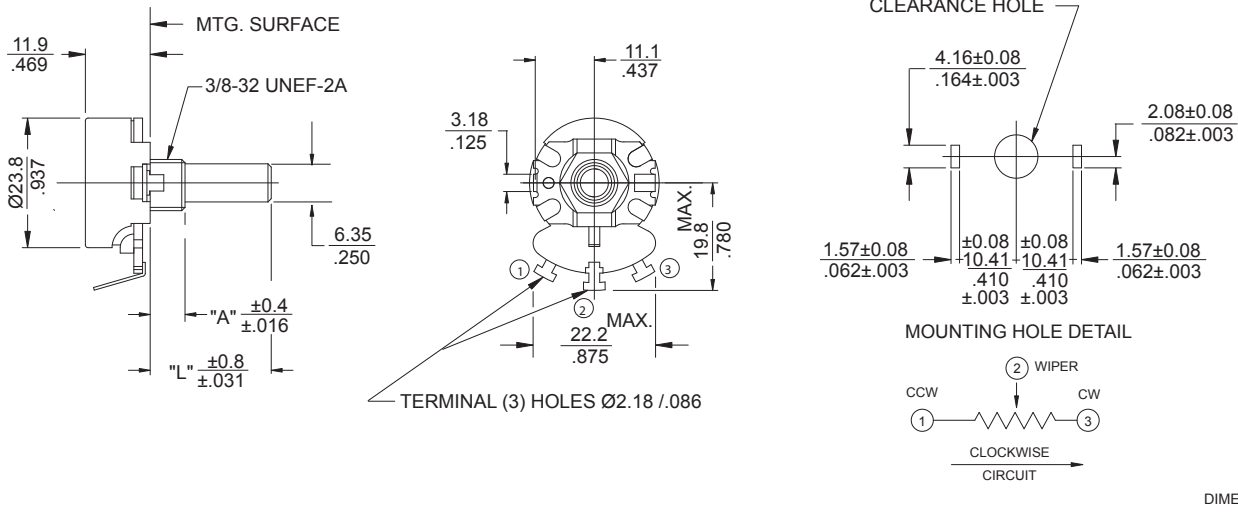
### Solder Heat Resistance

Maximum 350° C for 3 sec

### Operating Temperature

-30° C to +105° C

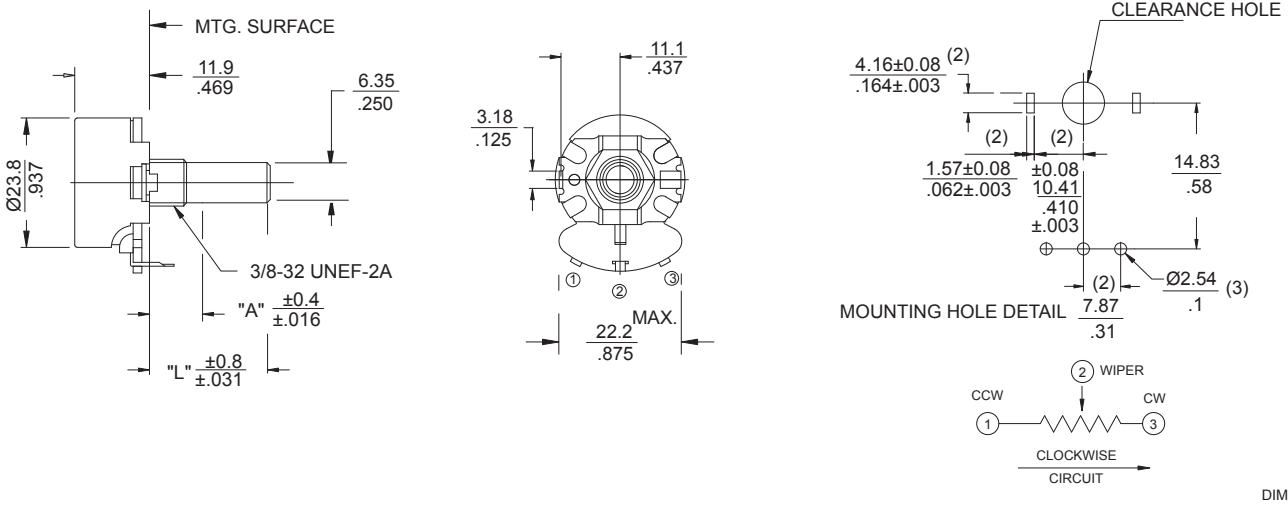
## T026 Metal Shaft, Bushing Mounting, Type "T" Solder Lug Terminals



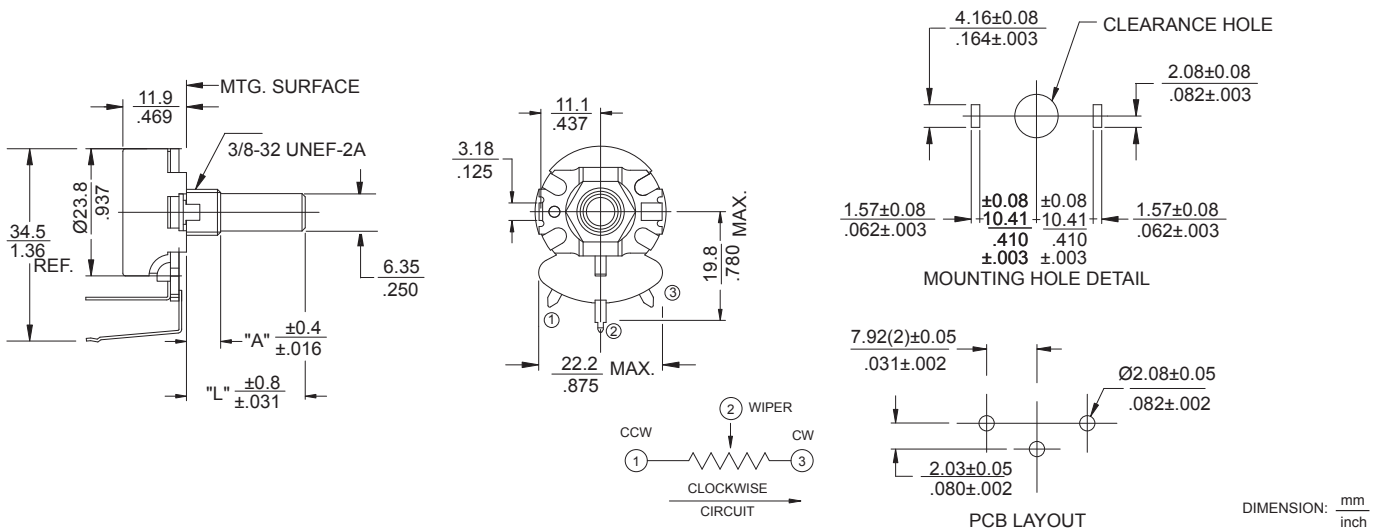
## X026 / Y026 Metal Shaft, Bushing Mounting, Printed Circuit Type X/Y Terminals



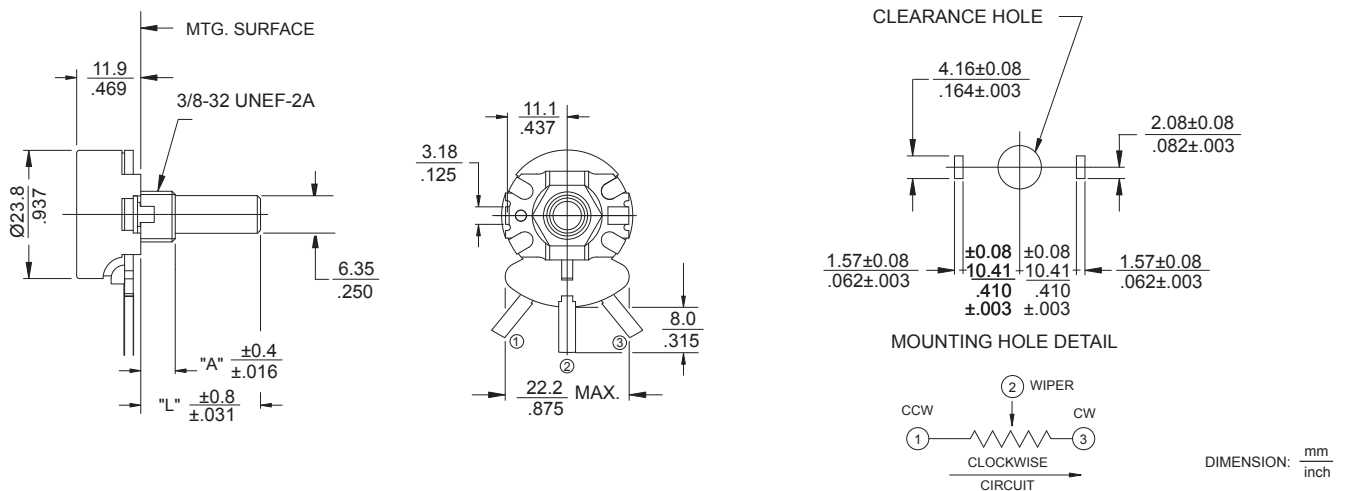
## U026 Metal Shaft, Bushing Mounting, Printed Circuit Type "U" Formed Terminals



## V026 Metal Shaft, Bushing Mounting, Printed Circuit Type "V" Formed Terminals



## S026 Metal Shaft, Bushing Mounting, Faston Type "S" Formed Terminals



## VPE026 Metal Shaft, Twist TAB Mounting, Type "V" Formed Terminals



## T2-026 Dual-section, Metal Shaft, Bushing Mounting, Type "T" Solder Lug Terminals



\* More multi-section models available, consult CTS for details

## Ordering Information

**026** **T** **2** **20** **R** **103** **B** **1** **A** **1**

TERMINAL STYLE	METAL MOUNTING STYLE "A"	SHAFT TRIM	RESIST TOL	SPECIALS
<b>T</b> - SOLDER LUG <b>X</b> - PC .687"(17.5mm) <b>Y</b> - PC .867"(22.0mm) <b>U</b> - FORMED TO FRONT <b>V</b> - FORMED TO REAR <b>S</b> - FASTON	<b>BUSHING LENGTH: 1/8" INCREMENTS</b> <b>EXAMPLES:</b> <b>2</b> - .250"(6.35mm) <b>3</b> - .375"(9.53mm) <b>8</b> - 1.000"(25.4mm) <b>1</b> - TWIST TAB MOUNT <b>A</b> - .250"(6.35mm) DIECAST <b>B</b> - .375"(9.53mm) DIECAST	<b>R</b> - ROUND <b>F</b> - FLATTED .375"X.156" (9.53mmX4.0mm) <b>K</b> - KNURLED EIA S148 24 TEETH <b>S</b> - SD SLOT .063" DEEP X.047" WIDE (1.6mmX1.2mm)	<b>A</b> - $\pm 10\%$ <b>B</b> - $\pm 20\%$ <b>D</b> - $\pm 5\%$	<b>1</b> - LOCATING LUG LEFT SIDE <b>2</b> - LOCATING LUG RIGHT SIDE <b>3</b> - NO LOCATING LUG LOCATING <b>5</b> - LOCATING LUG BOTH SIDE

METAL SHAFT LENGTH "L"	RESISTANCE CODE EXAMPLES	SWITCHES	FUNCTION	CTS TYPE	CURRENT RATING
<b>FROM MOUNTING SURFACE 1/32" INCREMENTS</b> <b>EXAMPLES:</b> <b>20</b> - .625"(6.35mm) <b>24</b> - .750"(19.5mm) <b>28</b> - .875"(22.2mm) <b>32</b> - 1.000"(25.4mm)	<b>CODE RESISTANCE</b> <b>5A0</b> 5 OHMS <b>501</b> 500 OHMS <b>102</b> 1K <b>252</b> 2.5K <b>502</b> 5K <b>103</b> 10K <b>253</b> 25K	<b>A</b> - NONE <b>B</b> - SPST <b>C</b> - DPST <b>D</b> - SPDT <b>E</b> - SPST <b>F</b> - SPST	ROTARY ROTARY ROTARY PULL-PUSH ROTARY	TGC 027 028 FR-K FR-GC	6AMP @ 125VAC 3AMP @ 125VAC 1AMP @ 250VAC 3AMP @ 125VAC 3AMP @ 125VAC 3AMP @ 125VAC 1AMP @ 250VAC/DC

\* Refer to series 450 data sheet for power switch detail

# Mouser Electronics

Authorized Distributor

Click to View Pricing, Inventory, Delivery & Lifecycle Information:

## CTS:

[026TB32R100B1A1](#) [026TB32R101B1A1](#) [026TB32R102B1A1](#) [026TB32R250B1A1](#) [026TB32R251B1A1](#)  
[026TB32R253B1A1](#) [026TB32R500B1A1](#) [026TB32R501B1A1](#) [026TB32R5A0B1A1](#) [026TB32R100B1B1](#)  
[026TB32R101B1B1](#) [026TB32R102B1B1](#) [026TB32R103B1B1](#) [026TB32R250B1B1](#) [026TB32R251B1B1](#)  
[026TB32R253B1B1](#) [026TB32R500B1B1](#) [026TB32R501B1B1](#) [026TB32R502B1B1](#) [026TB32R5A0B1B1](#)  
[026T419S101A1A1](#) [026TB32R103B1A1](#) [026TB32R5A0B1A1](#) [026T220F103D1A1](#) [026TB32R502B1A1](#)