

- NOTES:
- MATERIAL:
CONTACTS: COPPER ALLOY
SHELL: COPPER ALLOY
HOUSING: UL 94V-0 RATED THERMOPLASTIC;
 - PLATING:
CONTACTS: SEE PRODUCT NUMBER CODE
SHELL: SEE PRODUCT NUMBER CODE;
 - DATUM AND BASIC DIMENSIONS ESTABLISHED BY CUSTOMER;
 - RECOMMENDED PC BOARD THICKNESS OF 1.57mm (EXCEPT STYLE 5 1.20mm)
 - 2.67mm MAXIMUM PANEL THICKNESS IF MOUNTED BEHIND PANEL;
 - CONTACT PLATING CODE OPTION 1 DOES NOT MEET THE PLATING SPECIFIED PER UNIVERSAL SERIAL BUS SPECIFICATION REVISION 1.0;
 - PRODUCT SPEC GS-12-095 & PACKAGING SPEC GS-14-393;
 - COMPLIED WITH USB 2.0 & TID NUMBER 60000204;
 - 87520-1010XX, -1012XX, 3010XX, -3012XX, -5010XX, -6010XX AND -7010XXLF DURABILITY MET 5000 CYCLES THE OTHER DASH NUMBER MEET USB 2.0 DURABILITY 1500 CYCLES.
 - PACKING STANDARD GS-14-920. WILL BE APPLIED FOR LEAD FREE P/N'S;
 - FOR LEAD FREE P/N, THE PRODUCT MEET EUROPEAN UNION DIRECTIVES AND OTHER COUNTRY REGULATION AS DESCRIBED IN GS-22-008;
 - THE HOUSING WILL WITHSTAND EXPOSURE TO 260°C PEAK TEMPERATURE FOR 40 SECONDS IN A CONVECTION, INFRO-RED OR VAPOR PHASE REFLOW OVEN;
 - 87520-1010XXLF/-3010XXLF/-5010XXLF CAN WITHSTAND 2Amps CURRENT EITHER PARALLEL OR SERIALS (TESTING PLUG WITH 20 AWG WIRE);
 - THE PRODUCT CAN BE USED FOR PIP PROCESS.

spec ref		dr Keen Wu		2010/11/04		projection		size A4		scale 4.000			
tolerance std		eng Laurence Zang		2017/05/16						ecn no ELX-N-26900-1			
TOLERANCES UNLESS OTHERWISE SPECIFIED		chr -		-						rel level Released			
surface		appr Tim Yao		2017/05/16		product family		rev		AP			
linear		0.X ±0.3		Amphenol FCI USB RECEPTACLE USB		www.fci.com		cat. no.		Product - Customer Drw			
		0.XX ±0.2										dwg no 87520	
angular		0° ±3°											

PRODUCT NUMBER CODE

87520- X X X X X P X LF

BASE PRODUCT NUMBER

HOUSING COLOR AND SHELL PLATING OPTIONS

- 0 - WHITE+SHELL TIN & NICKEL PLATING
- 1 - BLACK+SHELL TIN & NICKEL PLATING
- 2 - WHITE+SHELL NICKEL PLATING ONLY
- 3 - BLACK+SHELL NICKEL PLATING ONLY
- 4 - WHITE FR50 + SHELL TIN & NICKEL PLATING FOR NON LEAD FREE P/N'S
CHANGE WHITE FR50 TO WHITE PA46 FOR LEAD FREE P/N'S
- 5 - BLACK NYLON 66 + SHELL TIN & NICKEL PLATING FOR NON LEAD FREE P/N'S
CHANGE BLACK NYLON 66 TO BLACK PA46 FOR LEAD FREE P/N'S
- 6 - WHITE FR50+SHELL TIN & NICKEL PLATING FOR NON LEAD FREE P/N'S
CHANGE WHITE FR50 TO WHITE PA46 FOR LEAD FREE P/N'S
- 7 - WHITE PA46+SHELL TIN & NICKEL PLATING

SHELL TYPE OPTION

- 0 - NO BACK SHIELD, SEE STYLE 1 FOR DURABILITY 1500 CYCLES
SEE STYLE 4 FOR DURABILITY 5000 CYCLES
- 1 - BACK SHIELD, SEE STYLE 2
- 2 - PARTIAL BACK SHIELD, SEE STYLE 3
- 5 - NO BACK SHIELD, SEE STYLE 4 WITH HIGH PERFORMANCE MATERIAL
FOR DURABILITY 15,000 CYCLES, NI PLATING ONLY

MOUNTING HOLE OPTIONS

- 1 - NONE

TERMINAL PLATING OPTION

- 0 - 1.25um Ni UNDERPLATE
0.76um GXT CONTACT AREA
2.50um MATTE TIN TAIL AREA FOR P/N'S
- 2 - 1.25um Ni UNDERPLATE
0.76um /30u" GXT CONTACT AREA
2.50um MATTE TIN TAIL AREA FOR P/N'S

PACKAGING OPTIONS

- A - TAPE AND REEL
- B - TUBES

DATE CODE

SPECIAL OPTION:

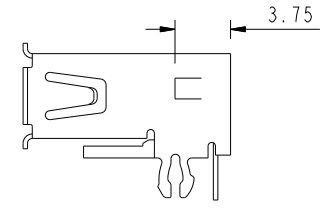
- S: PANASONIC ONLY
- B: FOR 1.20mm THICKNESS PCB
- C: FOR CRIMP SHELL TAIL OPTION
SHELL STYLE 6

LEAD FREE OPTION

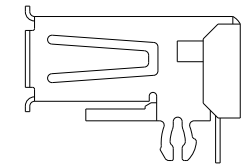
- P/N'S WITH SUFFIX "LF" MEAN LEAD FREE PRODUCT
- FOR LEAD FREE P/N, CHANGE ALL ORIGINAL TIN/LEAD PLATING TO PURE TIN PLATING

AVAILABLE PART NUMBER LIST

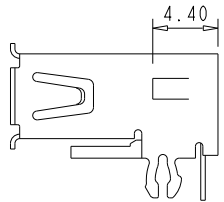
- 87520-0010XXLF
- 87520-0012XXLF
- 87520-0210XXLF
- 87520-1010XXLF
- 87520-1012XXLF
- 87520-0110XXLF
- 87520-0112XXLF
- 87520-1110XXLF
- 87520-1112XXLF
- 87520-2010XXLF
- 87520-2012XXLF
- 87520-2110XXLF
- 87520-2112XXLF
- 87520-2210XXLF
- 87520-3010XXLF
- 87520-3012XXLF
- 87520-3110XXLF
- 87520-3112XXLF
- 87520-4010XXLF
- 87520-4110XXLF
- 87520-5010XXLF/5010XXSLF
- 87520-5110XXLF
- 87520-6010XXLF
- 87520-7010XXSLF
- 87520-3010APBLF
- 87520-3S10XPLF
- 87520-3S12XPLF
- 87520-3S10XPBLF
- 87520-3S12XPBLF



STYLE 1 WITHOUT BACK SHELL

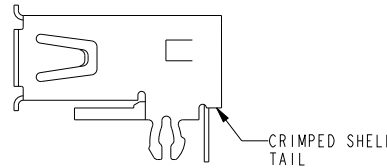


STYLE 2 WITH BACK SHELL

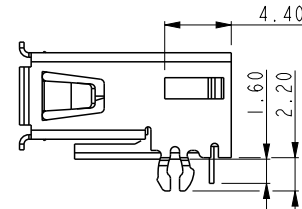


STYLE 4 WITHOUT BACK SHELL

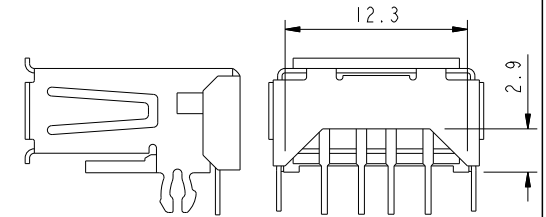
- FOR 87520-1010XXLF
- 1012XXLF
- 3010XXLF
- 3012XXLF
- 5012XXLF
- 6010XXLF
- 7010XXSLF
- 3S10XPLF
- 3S12XPLF



STYLE 6 WITHOUT BACK SHELL
CRIMP SHELL TAIL OPTION



STYLE 5 WITHOUT BACK SHELL
FOR 1.20mm THICKNESS PCB
87520-3X10APBLF



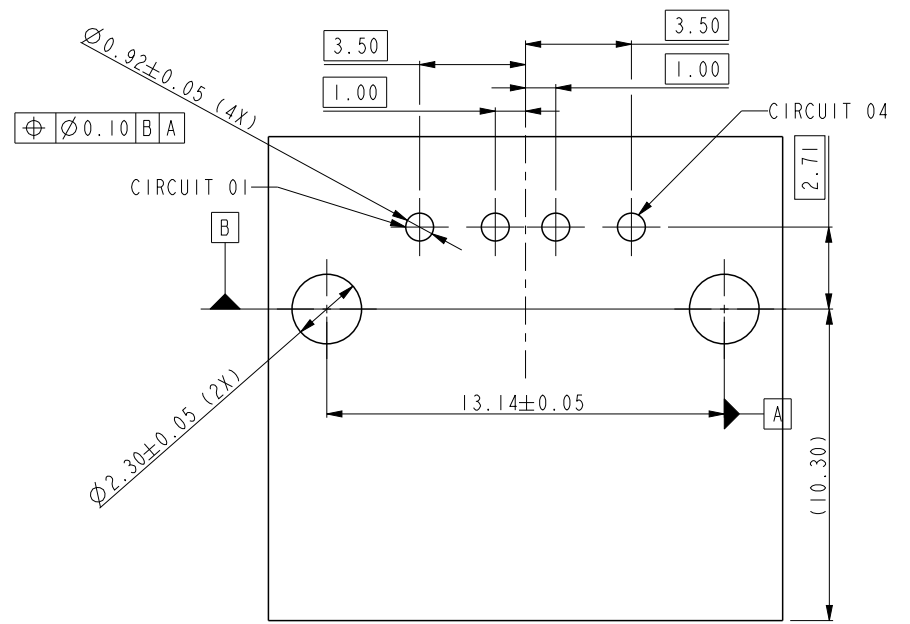
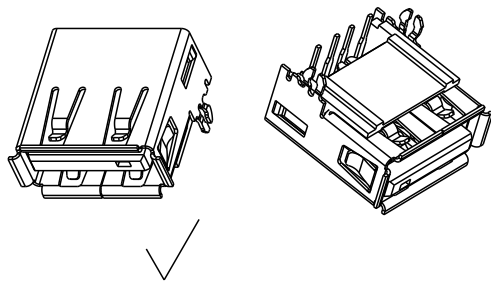
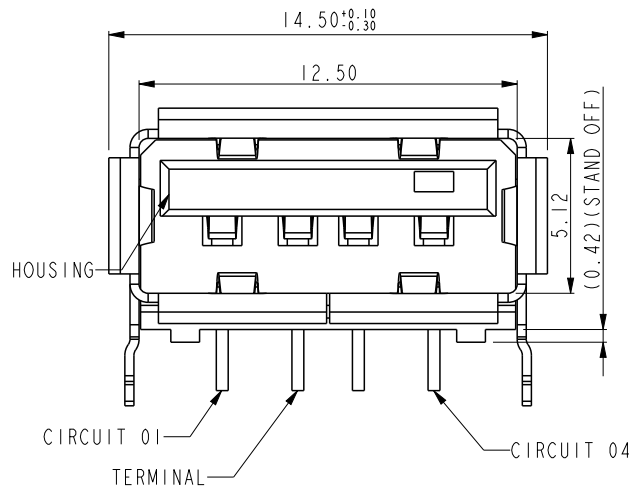
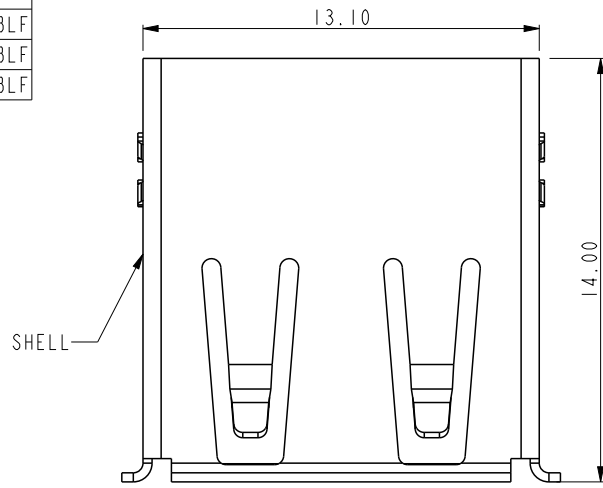
STYLE 3 WITH PARTIAL BACK SHELL

Amphenol FCI

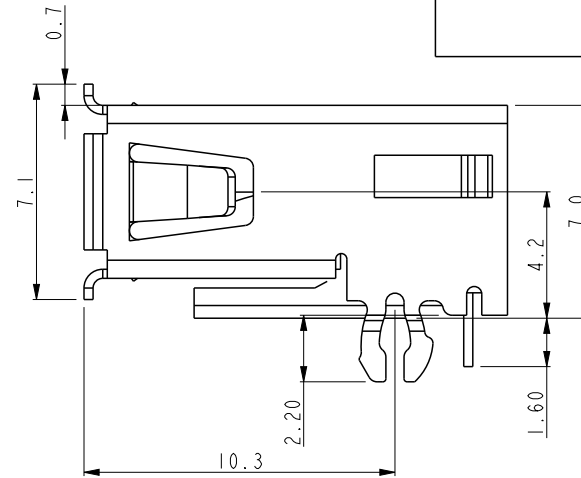
© 2016 AFCI

dr	Keen Wu	2010/11/04	projection	MM	size	A4	scale	4.000
eng	Laurence Zang	2017/05/16			ecn no	ELX-N-26900-1		
chr	-	-			rel level	Released		
appr	Tim Yao	2017/05/16	product family					
Amphenol FCI	USB RECEPTACLE			dwg no	87520		rev	AP
www.fci.com	cat. no.	Product - Customer Drw			sheet 2 of 3			

PART NUMBER
87520-3010APBLF
87520-3SI0XPBLF
87520-3SI2XPBLF



RECOMMENDED PCB LAYOUT
COMPONENT SIDE



dr	Keen Wu	2010/11/04	projection 	MM ←→	size	A4	scale	4.000
eng	Laurence Zang	2017/05/16			ecn no	ELX-N-26900-1		
chr	-	-			rel level	Released		
appr	Tim Yao	2017/05/16	product family		rev	87520		AP
www.fci.com		cat. no.		Product - Customer Drw		sheet 3 of 3		

Mouser Electronics

Authorized Distributor

Click to View Pricing, Inventory, Delivery & Lifecycle Information:

[FCI / Amphenol:](#)

[87520-0110BLF](#) [87520-1110BLF](#) [87520-2010BLF](#) [87520-1010BPLF](#) [87520-3010APLF](#) [87520-1010BLF](#) [87520-0010BLF](#) [87520-0010B](#) [87520-1010B](#) [87520-1110ALF](#) [87520-0010ALF](#) [87520-0012BLF](#) [87520-0110ALF](#) [87520-0112BLF](#) [87520-0210BLF](#) [87520-1010ALF](#) [87520-1012BLF](#) [87520-2112ALF](#) [87520-3012BLF](#) [87520-0110APLF](#) [87520-1012APLF](#) [87520-1112APLF](#) [87520-2010ALF](#) [87520-2110APLF](#) [87520-2112BLF](#) [87520-4010ALF](#) [87520-5010BPLF](#) [87520-7010BPLF](#) [87520-3S10BPLF](#) [87520-3010ALF](#) [87520-3012APLF](#) [87520-2012BLF](#) [87520-1012BPLF](#) [87520-7010BPSLF](#) [87520-0112ALF](#) [87520-3S10APLF](#) [87520-0112APLF](#) [87520-3S10APCLF](#) [87520-1112BPLF](#) [87520-3112ALF](#) [87520-3112BLF](#) [87520-4010BLF](#) [87520-3110ABLF](#) [87520-3112APLF](#) [87520-3010APBLF](#) [87520-2S10BPLF](#) [87520-1110BPLF](#) [87520-5010ALF](#) [87520-3212ALF](#) [87520-2S10APLF](#) [87520-3012BPBLF](#) [87520-3S10BPBLF](#)