

CUSTOMER PRINT

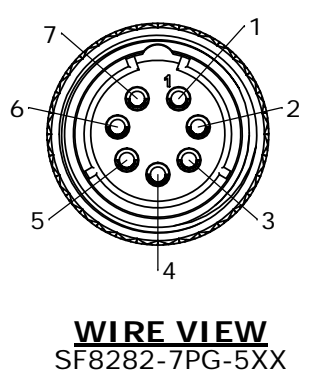
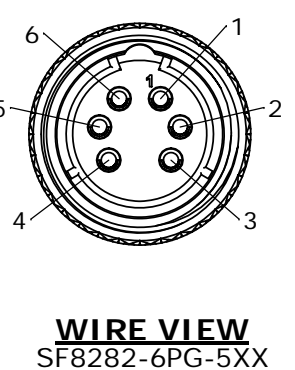
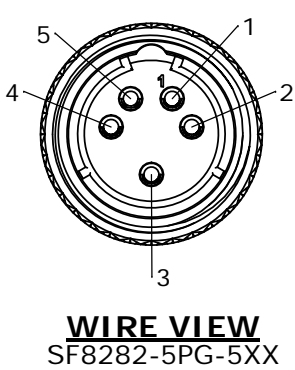
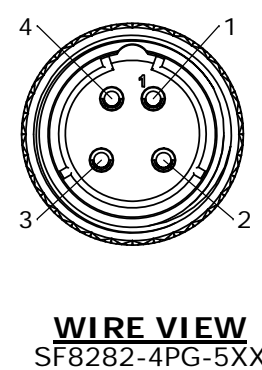
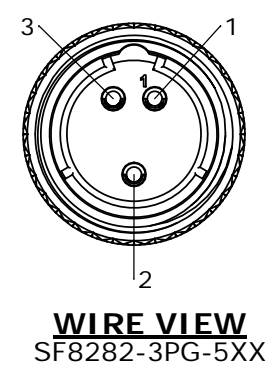
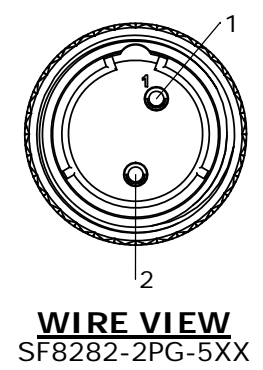
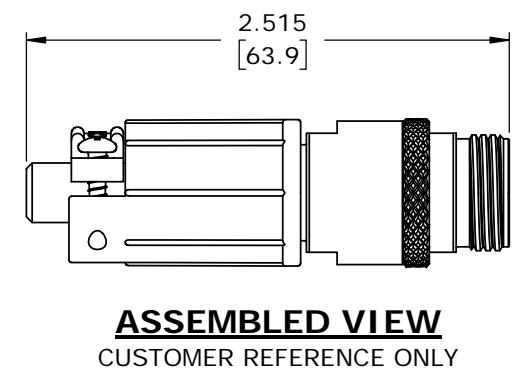
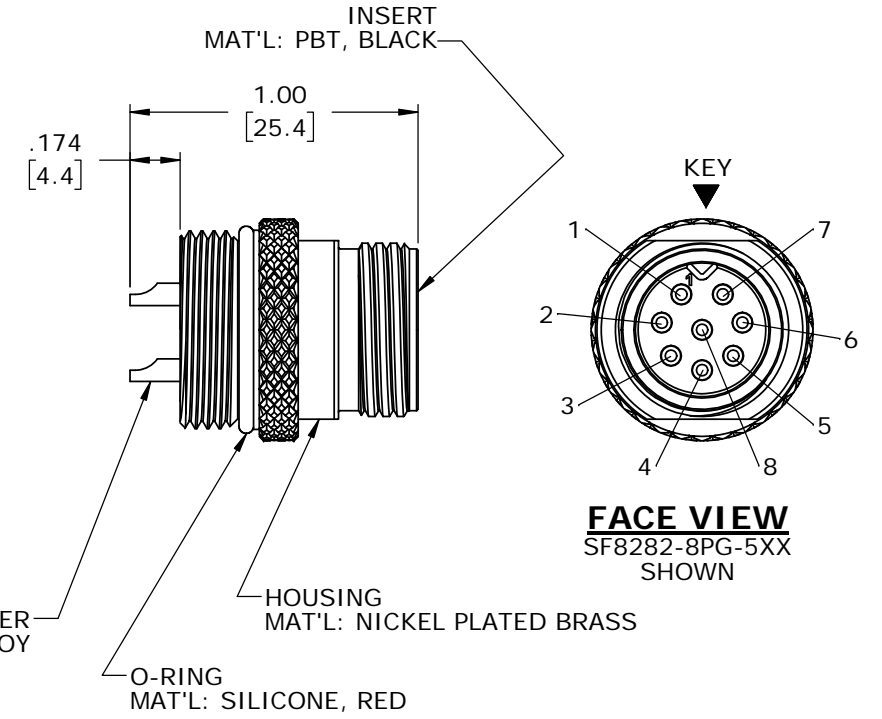
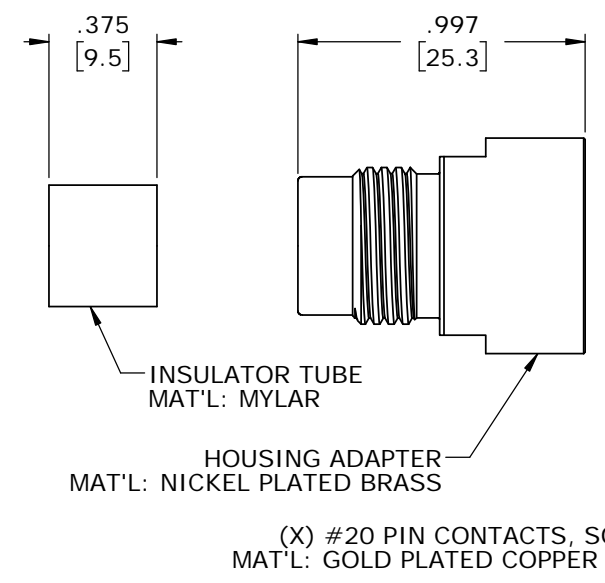
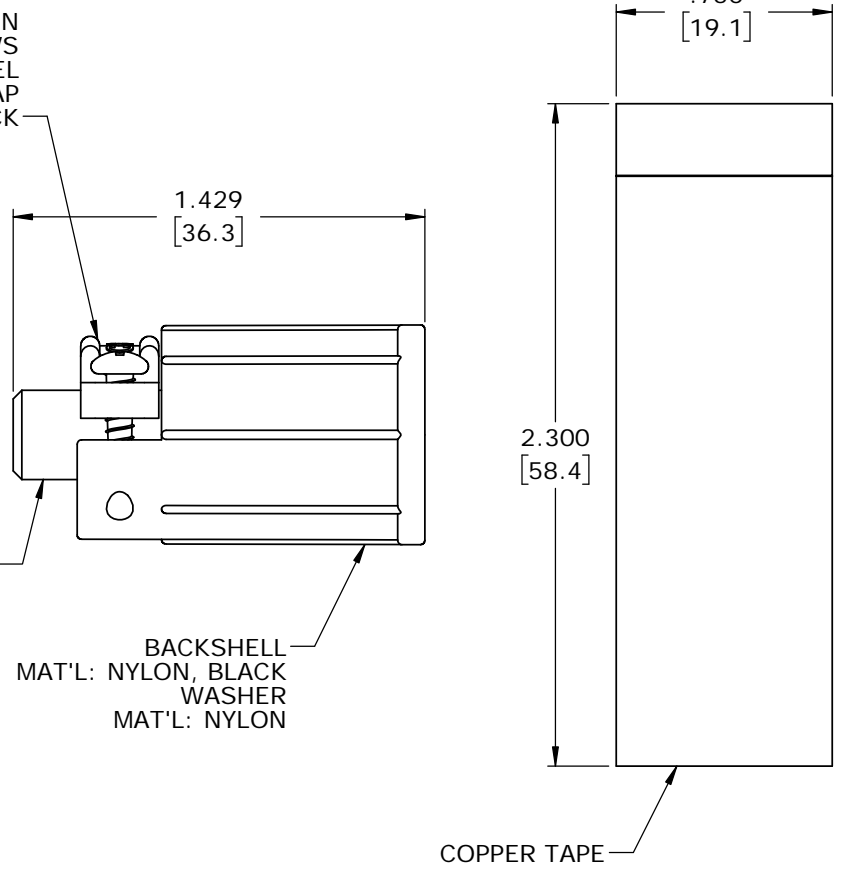
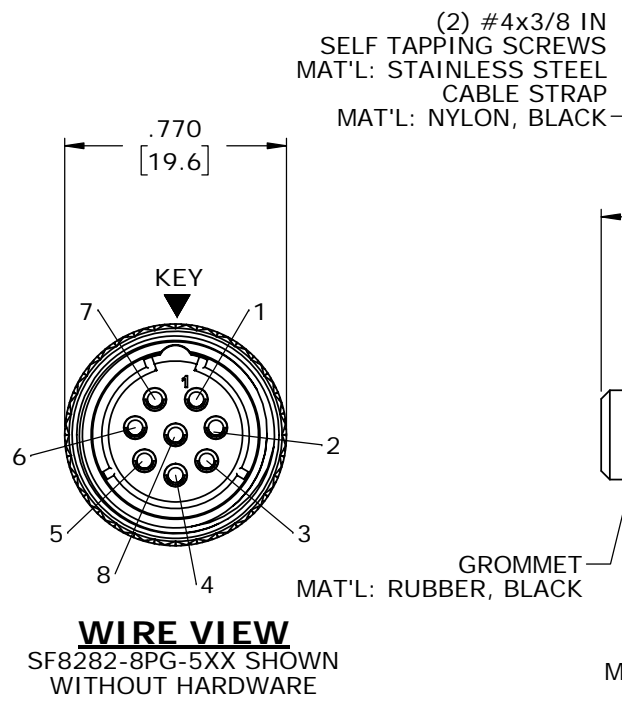
PART NUMBER: SF8282-XPG-5XX

- NOTES:  
 1. FINISHED ASSEMBLIES AND LOOSE PARTS BAGGED.  
 2. LABEL WITH CONXALL PART NUMBER, DATE CODE AND P/N BARCODE PLACED ON BAG  
 3. SEE DRAWING HPSFMISTD FOR HOLE PATTERNS  
 4. FOR FIELD INSTALLATION, SEE INSTRUCTION SHEET 2 OF 2.  
 5. ALL DIMENSIONS ARE REFERENCE EXCEPT THOSE WITH A TOLERANCE

**CUSTOMER APPROVAL**  
 THIS DOCUMENT CONTAINS CONFIDENTIAL INFORMATION PROPRIETARY TO CONXALL CORPORATION. ANY REPRODUCTION, DISCLOSURE, OR USE OF THIS DOCUMENT /INFORMATION IS EXPRESSLY PROHIBITED UNLESS AUTHORIZED IN WRITING BY CONXALL CORPORATION.  
 APPROVED BY: \_\_\_\_\_  
 DATE: \_\_\_\_\_

ASSEMBLY P/N	NO. OF CONTACT
SF8282-2PG-5XX	(2) #20
SF8282-3PG-5XX	(3) #20
SF8282-4PG-5XX	(4) #20
SF8282-5PG-5XX	(5) #20
SF8282-6PG-5XX	(6) #20
SF8282-7PG-5XX	(7) #20
SF8282-8PG-5XX	(8) #20

520 = BACKSHELL WITH Ø.220 [5.6] GROMMET I.D.  
 530 = BACKSHELL WITH Ø.330 [8.4] GROMMET I.D.

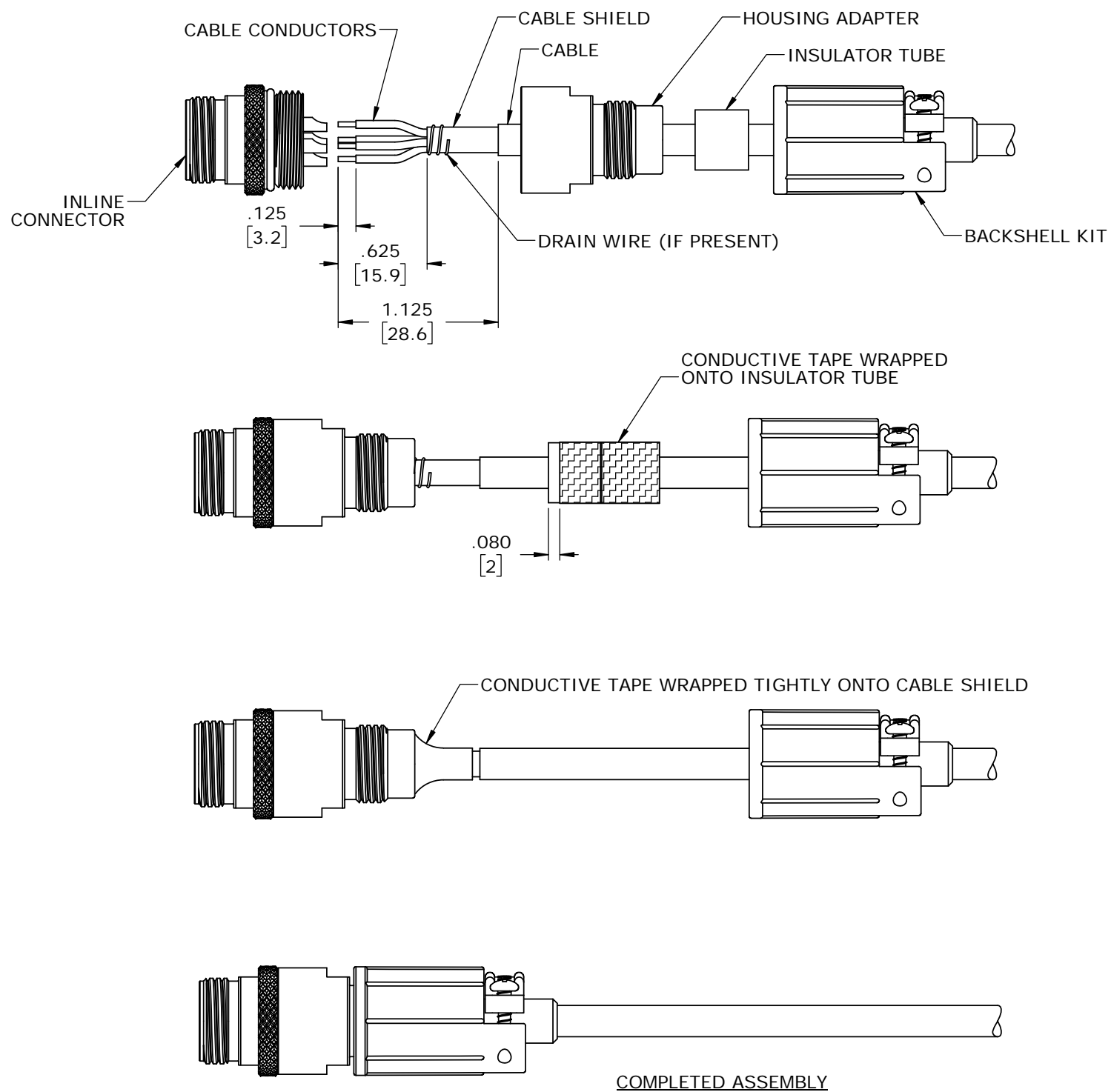


DIMENSIONS IN BRACKETS [ ] ARE IN MILLIMETERS

**RoHS COMPLIANT**

MA	01-28-19	RELEASED PER PDR 17011	
A	PNK	12-20-18 O-RING 4290S REPLACES SF6290S-1.	
	PNK	1-30-18 DRAWING CREATED PER PDR17011	
REV.	INIT.	DATE	DESCRIPTION
			ORIG. DRAWN BY: PNK DATE: 1-30-18
ALL INFORMATION ILLUSTRATED IS THE PROPERTY OF "CONXALL CORPORATION". UNAUTHORIZED DUPLICATION OR DISTRIBUTION OF THIS DOCUMENT IS PROHIBITED.		CHECKED BY:	
ALL UNITS ARE IN FEET, INCHES, FRACTION OF INCHES AND DECIMALS. UNLESS OTHERWISE SPECIFIED TOLERANCES: 3 PLACE DECIMALS ± .005 ANGLES ± 1° FRACTIONS ± 1/16		APPROVED BY:	
SCALE	SIZE	SHEET	TITLE: CABLE-TO-CABLE ASSEMBLY (2-8) #20 PIN CONTACTS, SOLDER SHIELDED MINI-CON-X STANDARD PRODUCT
NTS	B	1 OF 2	CUSTOMER: SF8282-XPG-5XX
FILE: SF8282-XPG-5XX	DIRECTORY: SLW	PART NUMBER: SF8282-XPG-5XX	REV A





**CABLE WIRING AND ASSEMBLY INSTRUCTIONS:**

**STEP 1.** SLIDE HOUSING ADAPTER, INSULATOR TUBE, AND BACKSHELL KIT, ONTO CABLE IN THE ORDER SHOWN.

**STEP 2.** STRIP CABLE JACKET AND WIRES TO LENGTH. EXCESS CABLE SHIELD MUST BE TRIMMED OR WRAPPED AROUND WIRES. IF PRESENT, USE THE DRAIN WIRE TO WRAP THE CABLE SHIELD IN PLACE.

**STEP 3.** SOLDER WIRES TO CONTACTS.

**STEP 4.** THREAD HOUSING ADAPTER ONTO CONNECTOR AND TIGHTEN TO 5 LB-IN [0.56 N-m] MINIMUM TORQUE.

**STEP 5.** PEEL-OFF THE BACKING OF THE CONDUCTIVE TAPE AND WRAP IT AROUND THE INSULATOR AS SHOWN.

**STEP 6.** SLIDE INSULATOR/CONDUCTIVE TAPE INTO THE BACK OF THE CONNECTOR. FORM FREE END OF CONDUCTIVE TAPE TIGHTLY ONTO THE SHIELD OF THE CABLE.

**STEP 7.** SLIDE AND THREAD THE BACKSHELL KIT ONTO CONNECTOR. TIGHTEN TO 5 LB-IN [0.56 N-m] MINIMUM TORQUE.

**STEP 8.** TIGHTEN THE TWO BACKSHELL SCREWS TO SECURE THE CABLE IN THE BACKSHELL.

MA	04-03-19	RELEASED PER PDR 17011	
A	PNK	12-20-18	O-RING 4290S REPLACES SF6290S-1.
	PNK	1-30-18	DRAWING CREATED PER PDR 17011
REV.	INIT.	DATE	DESCRIPTION
ALL INFORMATION ILLUSTRATED IS THE PROPERTY OF CONXALL CORPORATION. UNAUTHORIZED DUPLICATION OR DISTRIBUTION OF THIS DOCUMENT IS PROHIBITED.		ORIG. DRAWN BY: PNK	DATE: 1-30-18
ALL UNITS ARE IN FEET, INCHES, FRACTION OF INCHES AND DECIMALS.		CHECKED BY:	 601 E. WILDWOOD VILLA PARK, IL 60181
UNLESS OTHERWISE SPECIFIED TOLERANCES: 3 PLACE DECIMALS ± .005 ANGLES ± 1° FRACTIONS ± 1/16		APPROVED BY:	
△ - CRITICAL CHARACTERISTIC FLAG PER SPEC. XXXX		SCALE: NTS	SIZE: B
		SHEET: 2 OF 2	TITLE: CABLE-TO-CABLE ASSEMBLY (2-8) #20 PIN CONTACTS, SOLDER SHIELDED MINI-CON-X STANDARD PRODUCT
		FILE: FILE NAME	DIRECTORY: SLW
		PART NUMBER: SF8282-XPG-5XX	REV: A

# Mouser Electronics

Authorized Distributor

Click to View Pricing, Inventory, Delivery & Lifecycle Information:

## Switchcraft:

[SF8282-5PG-520](#) [SF8282-2PG-530](#) [SF8282-4PG-530](#) [SF8282-3PG-530](#) [SF8282-7PG-530](#) [SF8282-6PG-520](#)  
[SF8282-4PG-520](#) [SF8282-8PG-530](#) [SF8282-8PG-520](#) [SF8282-2PG-520](#) [SF8282-6PG-530](#) [SF8282-7PG-520](#)  
[SF8282-3PG-520](#) [SF8282-5PG-530](#)