

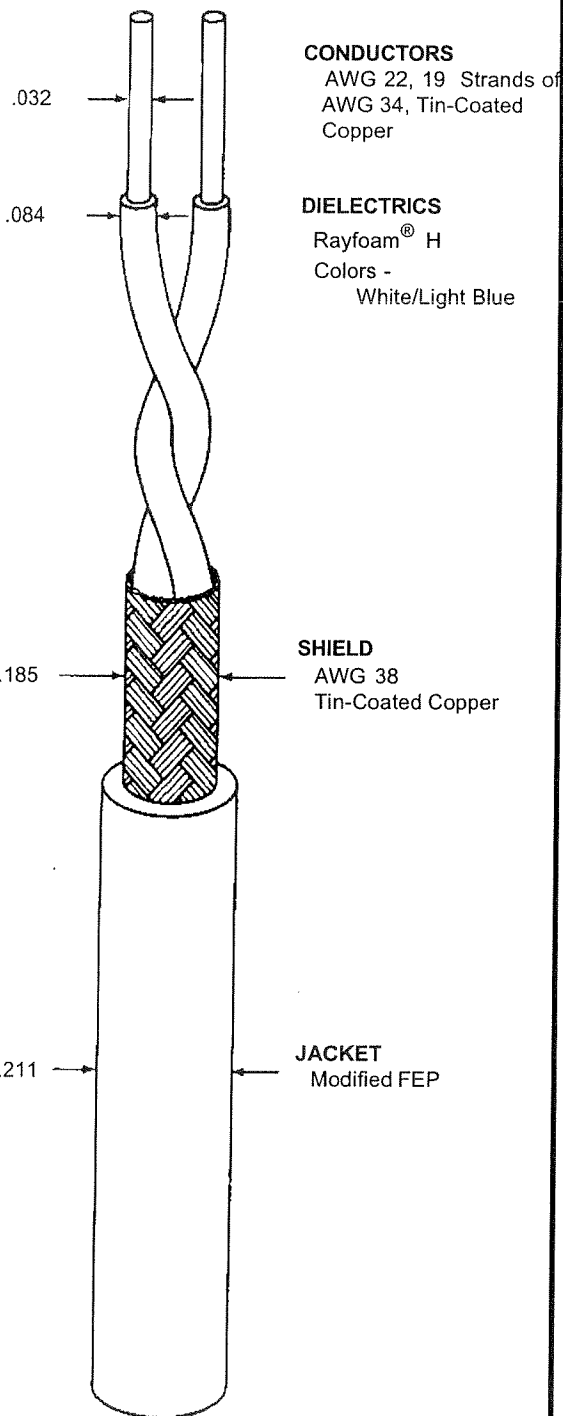
THIS SPECIFICATION SHEET FORMS A PART OF THE LATEST ISSUE OF RAYCHEM SPECIFICATION 1200.

CONSTRUCTION DETAILS

ELECTRICAL CHARACTERISTICS

DIMENSIONS ARE NOMINAL VALUES IN INCHES UNLESS OTHERWISE DESIGNATED.

CHARACTERISTIC IMPEDANCE	120 ± 18 ohms, Method C at 60 KHz
CAPACITANCE - MUTUAL	12.5 pF/ft. (nominal)
VELOCITY OF PROPAGATION	77% (nominal)



CONDUCTORS
AWG 22, 19 Strands of
AWG 34, Tin-Coated
Copper

DIELECTRICS
Rayfoam® H
Colors -
White/Light Blue

SHIELD
AWG 38
Tin-Coated Copper

JACKET
Modified FEP

ADDITIONAL REQUIREMENTS

ELECTRICAL

CONDUCTOR RESISTANCE	14.8 ohms/1000 ft. (nominal)
INSULATION RESISTANCE	10,000 megohms (minimum) for 1000 ft.
JACKET FLAWS	
SPARK TEST	1.0 kV (rms)
IMPULSE TEST	6.0 kV, (peak)
VOLTAGE WITHSTAND (DIELECTRIC)	1000 volts (rms) (minimum)

ENVIRONMENTAL

FLAMMABILITY	Method B
HEAT SHOCK	225°C
LOW TEMPERATURE - COLD BEND	-55°C/6.00 inch mandrel
VOLTAGE WITHSTAND (POST ENVIRONMENTAL)	1000 volts (rms), 1 minute

PHYSICAL

INSULATION (DIELECTRIC) (Prior to cabling)	
ELONGATION	50% (minimum)
TENSILE STRENGTH	600 lbf/in ² (minimum)
JACKET	
ELONGATION	200% (minimum)
TENSILE STRENGTH	2000 lbf/in ² (minimum)
JACKET THICKNESS	.013 inch (nominal)
SHIELD COVERAGE	90% (minimum)

WEIGHT	27.8 lbs/1000 ft. (nominal)
--------	-----------------------------

Outer jacket will be transparent white (designated by a "-9X" appended to the part number, e.g., 2022E0421-9X) unless otherwise specified.
Designate outer jacket color with a dash number in accordance with MIL-STD-681.

Mouser Electronics

Authorized Distributor

Click to View Pricing, Inventory, Delivery & Lifecycle Information:

[TE Connectivity:](#)

[2022E0421-9X](#)