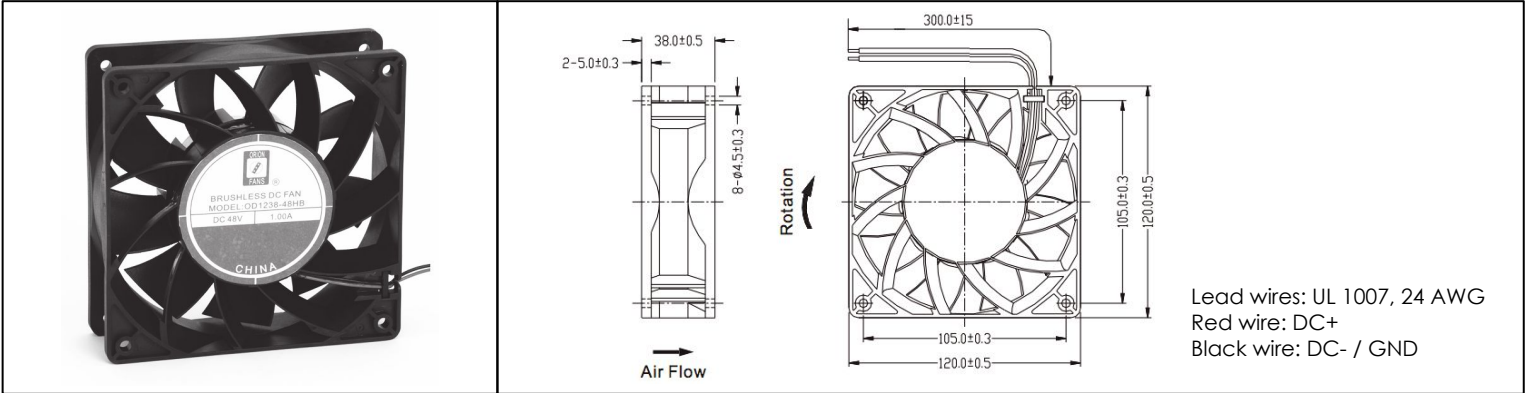


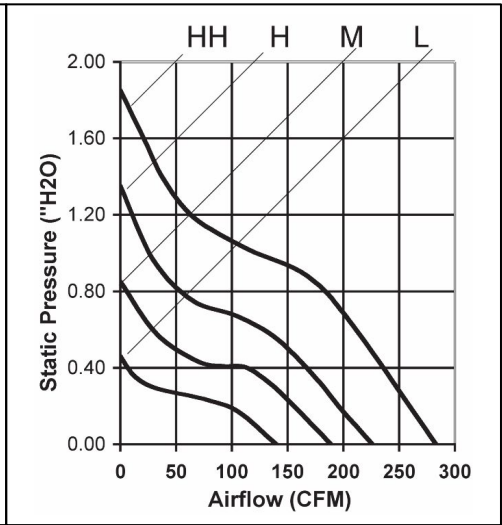
OD1238 VXC Series DC Vane Axial High Pressure



High Performance DC Fan, 12, 24, 48V
120x38mm (4.7"x1.5")



Frame	PBT, UL94 V-0 plastic	Operating Temperature -20°C ~ +75°C Storage Temperature -40°C ~ +80°C Life Expectancy 65,000 hours (L10 at 45°C) Available Options Tachometer Output Alarm Output PWM Speed Control IP55 Salt Fog GR-487 Rating Weight: 0.78 lbs m4
Impeller	PBT, UL94 V-0 plastic	
Connection	2x Lead wires, 24 AWG	
Motor	Brushless DC, Auto Restart, Polarity Protected, Electronically Protected	
Bearing System	Dual Ball Bearings	
Dielectric Strength	500VAC/min, < 1mA	
Insulation Resistance	10M ohm between leadwires and frame (500 VDC)	



Part Number	Rated Voltage	Voltage Range	Rated Current (A)	Rated Speed (RPM)	Airflow (CFM)	Noise Level (dB)	Max. Static Pressure
OD1238-12HBVXC	12 VDC	6 ~ 14	3.6	5000	226	65	1.35" H ₂ O
OD1238-12MBVXC	12 VDC	6 ~ 14	2.0	4000	189	59	0.85" H ₂ O
OD1238-12LBVXC	12 VDC	6 ~ 14	1.5	3000	140	52	0.46" H ₂ O
OD1238-24HBVXC	24 VDC	12 ~ 28	1.7	5000	226	65	1.35" H ₂ O
OD1238-24MBVXC	24 VDC	12 ~ 28	1.1	4000	189	59	0.85" H ₂ O
OD1238-24LBVXC	24 VDC	12 ~ 28	0.6	3000	140	52	0.46" H ₂ O
OD1238-48HHBVXC	48 VDC	24 ~ 55	1.3	6000	283	70	1.85" H ₂ O
OD1238-48HBVXC	48 VDC	24 ~ 55	1.0	5000	226	65	1.35" H ₂ O
OD1238-48MBVXC	48 VDC	24 ~ 55	0.6	4000	189	59	0.85" H ₂ O
OD1238-48LBVXC	48 VDC	24 ~ 55	0.4	3000	140	52	0.46" H ₂ O