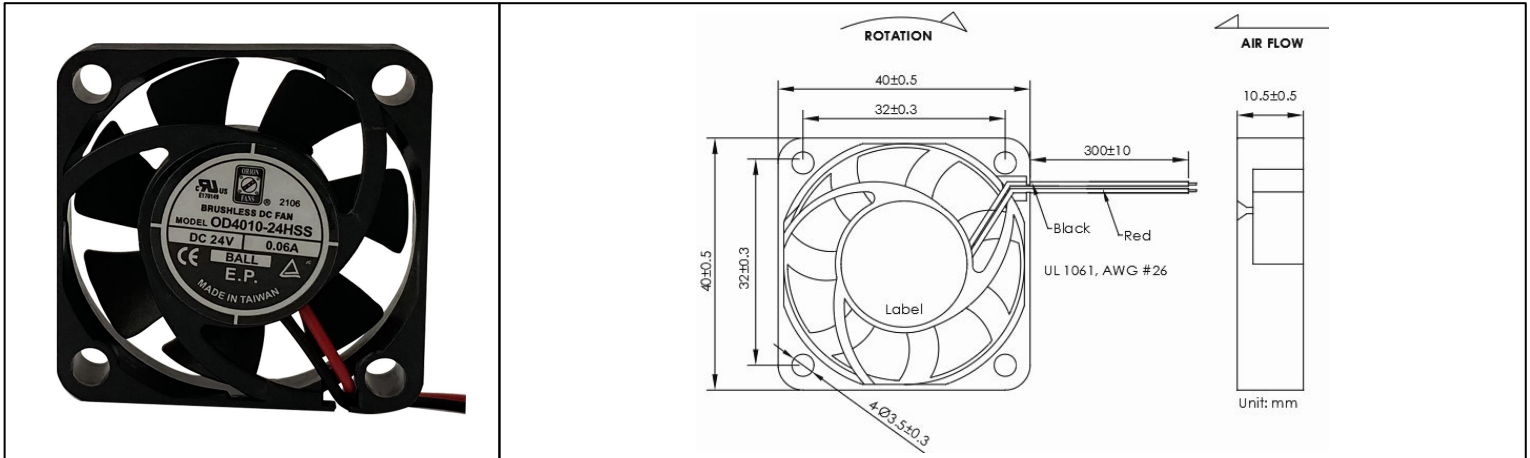


# OD4010 Sealed Sleeve Series



DC Fan - 12V, 24V  
40x40x10.5mm (1.6"x0.4")



<b>Frame</b>	PBT, UL94 V-0 plastic	<b>Operating Temperature</b> -10°C ~ +70°C  <b>Storage Temperature</b> -20°C ~ +75°C  <b>Life Expectancy</b> 50,000 hours (L10 at 45°C)  <b>Available Options</b> Tachometer Alarm PWM  Weight: 0.044 lbs  m0	
<b>Impeller</b>	PBT, UL94 V-0 plastic		
<b>Connection</b>	2x Lead wires, 26 AWG		
<b>Motor</b>	Brushless DC, Auto Restart, Auto Cutoff, Polarity Protected, Electronically Protected		
<b>Bearing System</b>	Sealed Sleeve		
<b>Dielectric Strength</b>	500VAC/min < 1mA		
<b>Insulation Resistance</b>	≥10M Ohm @ 500 VDC		

Part Number	Rated Voltage	Input Power	Rated Current	Rated Speed (RPM)	Airflow (CFM)	Noise Level (dB)	Max. Static Pressure
OD4010-12HSS	12 VDC	0.72 W	0.07 A	8000	9.2	33.2	0.20" H <sub>2</sub> O
OD4010-24HSS	24 VDC	1.45 W	0.06 A	8000	9.2	33.2	0.20" H <sub>2</sub> O