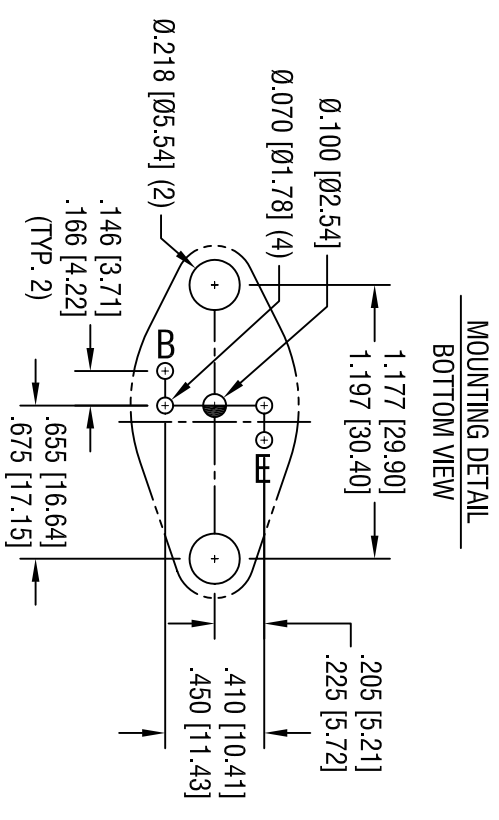
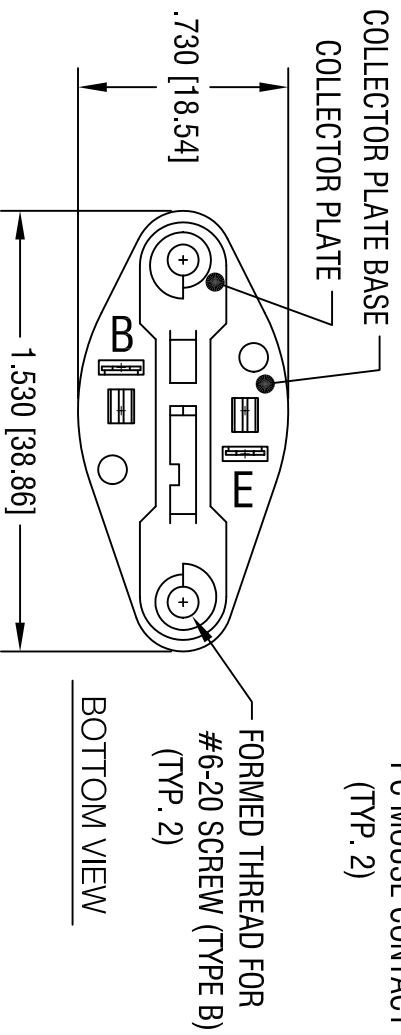
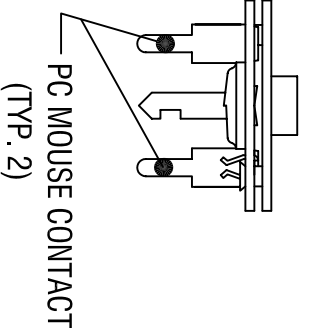
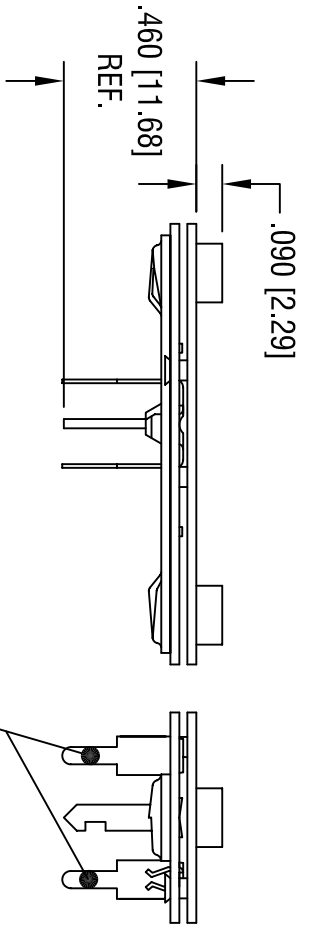
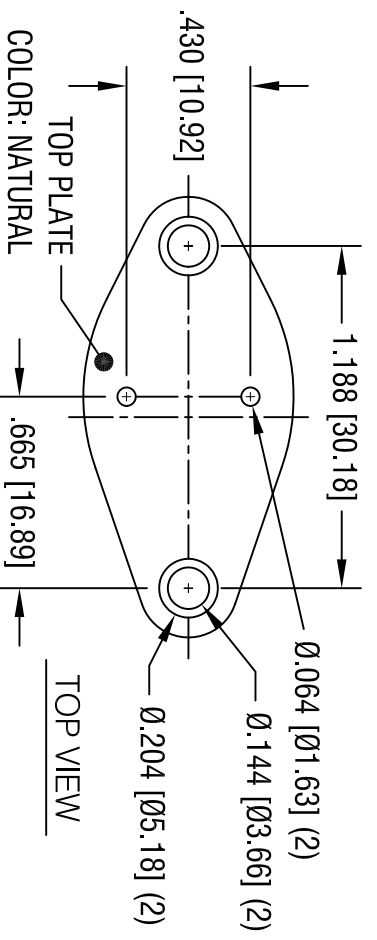


DATE	DESCRIPTION	REV.
10.1.03	CHANGE AS PER ECN 03-071	A



NOTES:

- 1. TOP PLATE: COLOR - NATURAL
- MAT'L - NYLON 6/6 UL 94V-2
- COLLECTOR PLATE BASE: MAT'L - .032 [0.81] THK PHENOLIC

- COLLECTOR PLATE: MAT'L - .032 [0.81] THK STEEL
- FINISH - TIN PLATE
- PC MOUSE CONTACT: MAT'L - .013 [0.33] THK BRASS
- FINISH - TIN PLATE

THIS DOCUMENT IS THE PROPERTY OF KEYSTONE ELECTRONICS CORP. AND SHALL NOT BE REPRODUCED, DISTRIBUTED OR USED AS A BASIS FOR MANUFACTURE WITHOUT PRIOR WRITTEN PERMISSION FROM KEYSTONE ELECTRONICS CORP.

KEYSTONE ELECTRONICS CORP.			
ASTORIA, N.Y. 11105-2017			
PART NAME	TO-3 POWER TRANSISTOR SOCKET		
MATERIAL	AS NOTED		
FINISH	AS NOTED		
TOLERANCES	INCH	[MM]	CODE
DECIMAL	± .005	[± 0.15]	C
ANGULAR	± 1°		
	DRAWN BY	DATE	DWG. NO.
	BOONE	3.18.91	4600
	APP'D	SCALE	
	LN	1.5X	

Mouser Electronics

Authorized Distributor

Click to View Pricing, Inventory, Delivery & Lifecycle Information:

[Keystone Electronics:](#)

[4600](#)