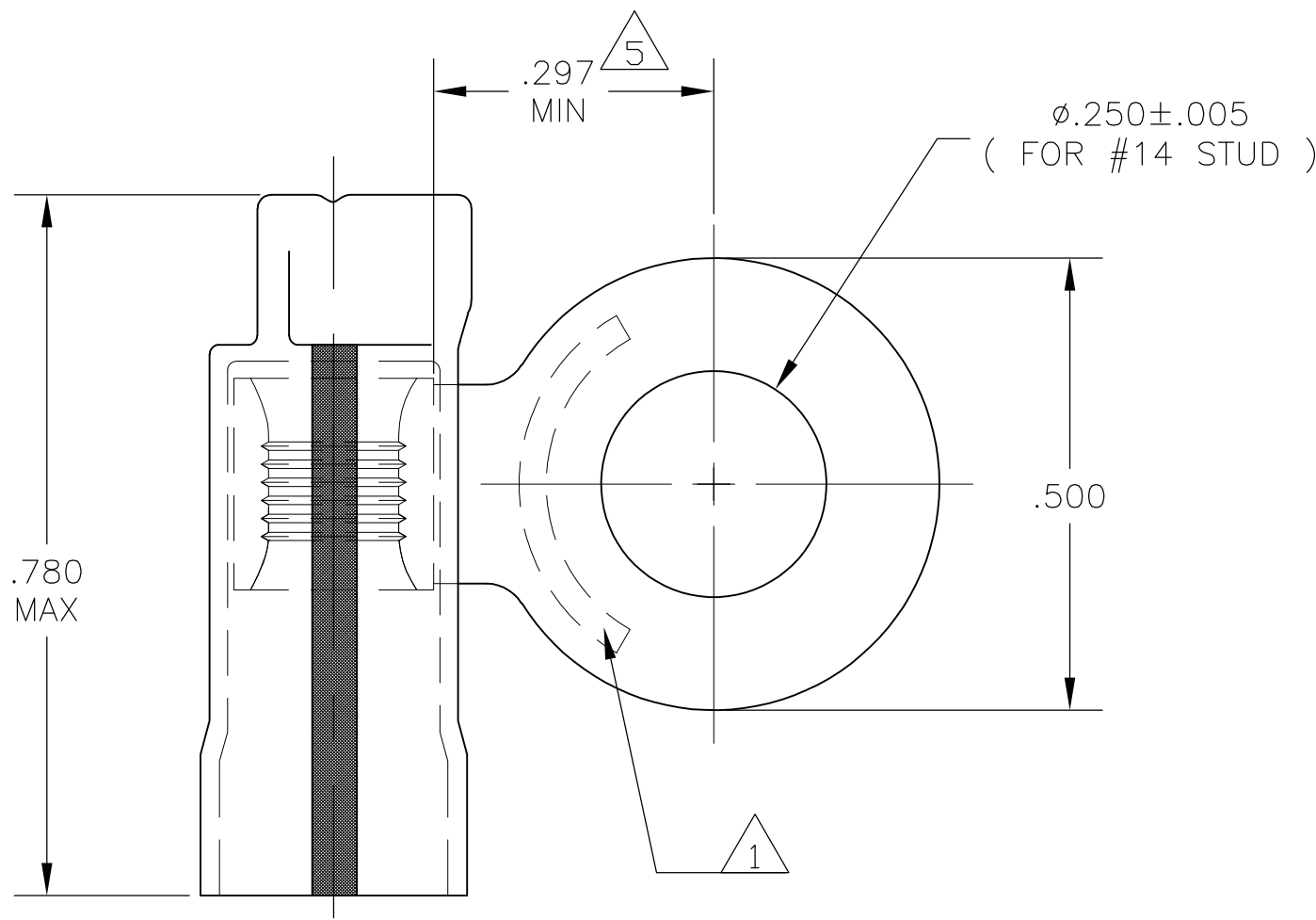


THIS DRAWING IS UNPUBLISHED. RELEASED FOR PUBLICATION
 © COPYRIGHT - BY TYCO ELECTRONICS CORPORATION. ALL RIGHTS RESERVED.

LOC	DIST	REVISIONS			
P	LTR	DESCRIPTION	DATE	DWN	APVD
G	14	D1	REV PER ECR 08-028283	07NOV08	JR TM



AMP
WIRE RANGE

16-14 HD AWG
SOLID OR STRANDED

- 1 STAMP AMP 16-14HD, LOCATED APPROX AS SHOWN
- 2 WIRE INSUL DIA., .180-.280
- 3 TONGUE MATL THK, .050 MAX
- 4 MATERIAL: BODY - CU PER ASTM B152
- FINISH TIN PL PER ASTM B545
SLEEVE - PVC
- COLOR NATURAL W/ BLACK STRIPE
- 5 FROM EDGE OF METAL WIRE BBL TO CENTER OF STUD HOLE

250	LOOSE PIECE	322511-1
QTY	PACKAGE TYPE	PART NO

AMP INCORPORATED CUSTOMER SERVICE SYSTEMS	
FOR ADDITIONAL PRODUCT INFORMATION OR COPIES OF DRAWINGS AND TECHNICAL DOCUMENTS	PRODUCT INFORMATION CENTER 1-800-522-6752
FOR APPLICATION TOOLING INFORMATION	TOOLING ASSISTANCE CENTER 1-800-722-1111
FOR ORDER ENTRY	1-800-526-5142

MAX RECOMMENDED OPERATING TEMPERATURE: 105°C [221°F]
VOLTAGE RATING: 300V MAX
CIRCULAR MIL AREA: 1.04-2.62mm² [2,050-5,180] SOLID OR STRANDED

THIS DRAWING IS A CONTROLLED DOCUMENT.	
DIMENSIONS: INCHES	TOLERANCES UNLESS OTHERWISE SPECIFIED:
	0 PLC ± -
	1 PLC ± -
	2 PLC ± -
	3 PLC ± .008
	4 PLC ± -
	ANGLES ± 5°
MATERIAL	FINISH
- 4	- 4

DWN jr_ruth 16DEC05	Tyco Electronics Corporation Harrisburg, PA 17105-3608	
CHK T MICHELUTTI 16DEC05	NAME TERMINAL, FLAG, RING TONGUE, PLASTI-GRIP, WIRE SIZE 16-14 HD AWG	
APVD T MICHELUTTI 16DEC05	SIZE A3	CAGE CODE 00779
PRODUCT SPEC -	DRAWING NO G-322511	RESTRICTED TO -
APPLICATION SPEC -	SCALE 5:1	SHEET 1 OF 1
WEIGHT -	CUSTOMER DRAWING	REV D1

Mouser Electronics

Authorized Distributor

Click to View Pricing, Inventory, Delivery & Lifecycle Information:

[TE Connectivity:](#)

[322511-1](#)