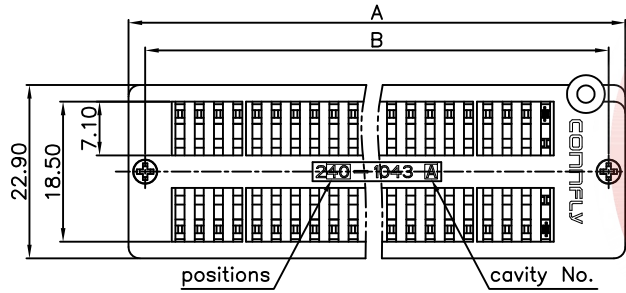


REV.	DESCRIPTION	DRAWN	CHECKED	APPROVED
A	NEW RELEASE	LJH 05/24/05'		



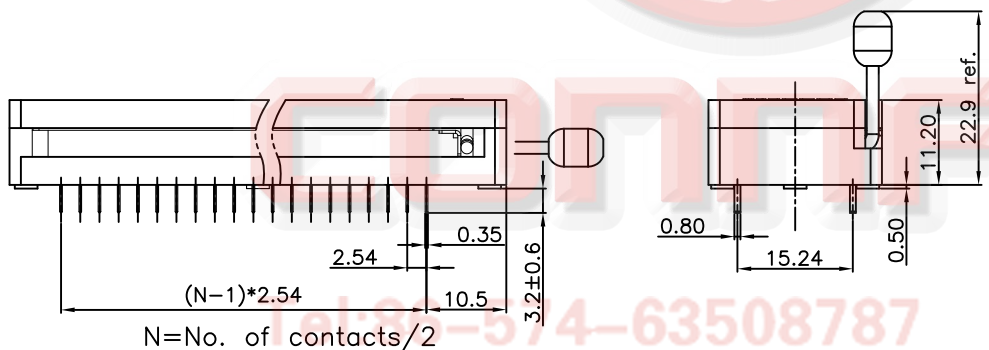
Positions	A	B
24	45.3	40.9
28	50.4	46.0
32	55.5	51.1
40	65.6	61.2
48	75.8	71.4

1. FEATURES

- 1.1. Compact mechanical construction to ensure long term life.
- 1.2. Zero insertion and extraction pressure.
- 1.3. standard 0.100(2.54mm) IC pitch, easy to mount in PC board.
- 1.4. All plastics are UL 94v-0 grade fire retardant.
- 1.5. Gold plated contact to ensure low contact resistance and long operation life.

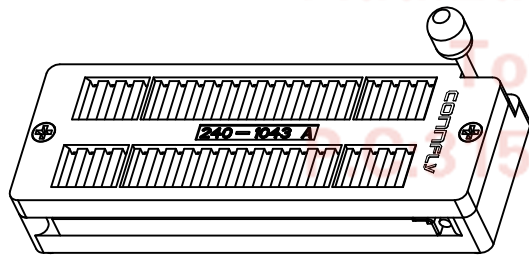
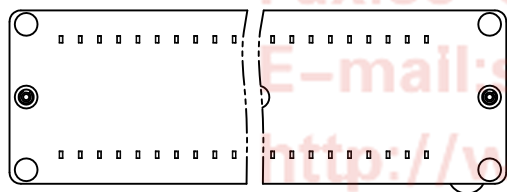
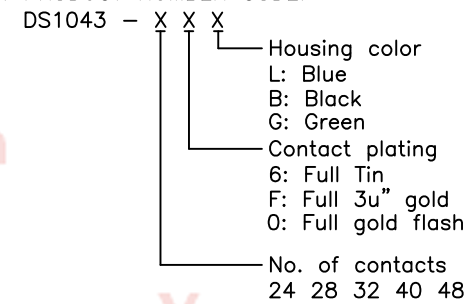
2. SPECIFICATION

- 2.1. ELECTRICAL:
  - 2.1.1. Rating:50VDC,100mA.
  - 2.1.2. Contact Resistance: 50mΩ Max.
  - 2.1.3. Insulation Resistance:1000MΩ Min.
  - 2.1.4. Dielectric withstanding volatage:500VDC min. for 60 seconds.Capacitance between adjacent contacts.
- 2.2. MECHANICAL AND ENVIRONMENTAL
  - 2.2.1. Temperature Rating:
  - 2.2.2. Operating:-40℃ to +105℃
  - 2.2.3. Durability:25,000 cycles(with load)
  - 2.2.4. Humidity:95%RH,40℃ for 48 Hrs.
  - 2.2.5. Solderability:After flux 230℃ for 5±0.5 Seconds,95% coverage
  - 2.2.6. Soldering Heat:260±5℃ for 5±1 Seconds.



N=No. of contacts/2

3. PRODUCT NUMBER CODE:



Tel: 86-574-63508787  
 Fax: 86-574-63510817  
 E-mail: sale@connfly.com  
 http://www.connfly.com  
 Add: East Industry Zone KuangYan  
 Town Cixi Ningbo China

GENERAL TOLERANCE		ANGLE TOLERANCE	
X.	±0.60	X.	±5°
.X	±0.38	.X	±3°
.XX	±0.25	.XX	±2°

DRAWING TYPE	CUSTOMER		
SCALE	1:1	SHEET	1 OF 1
DRAWING NO.	C-DS1043-XXX		

PROJECTION		TITLE	ZIF SOCKET
UNITS	mm	SHEET	A4
SHEET SIZE	A4	SERIES	DS1043 SERIES

晨翔电子有限公司  
**CONNFLY CONNFLY ELECTRONIC CO. LTD**