

**MHED-SERIES - Jackscrew**

**Technical Specifications**

<b>Material</b>	UL 94 V-0 Plastic Material
<b>Operating Temperature</b>	-55°C to +110°C
<b>Cable Entry</b>	Top Entry
<b>Cable O.D</b>	Up to 9mm
<b>Colour</b>	Black
<b>Jackscrew</b>	UNC 4-40, Male or Female Version



MHED-SERIES - Jackscrew

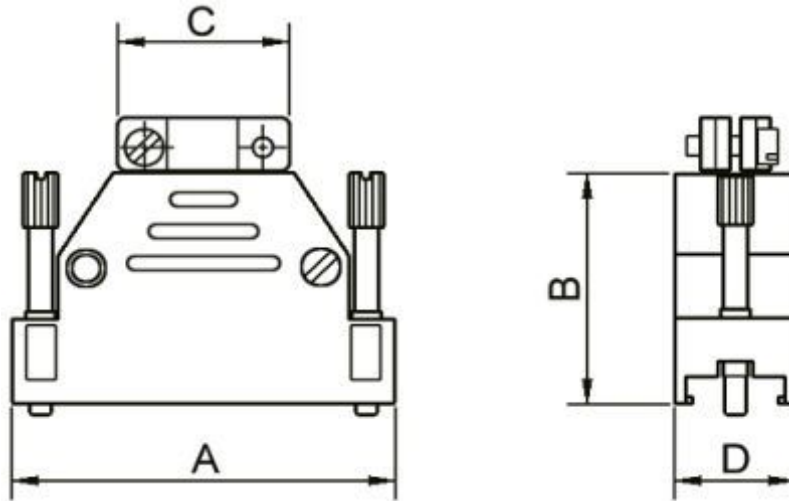
**Main Features**

- Suitable for sizes 9, 15, 25 and 37
- Easy to re-open
- Male or female Jackscrew

**Ordering Information**

Size:	P/N - Kitted:	Product Code:	Jackscrew
9-way	2801-0102-01	MHED-D09T-K	Male
15-way	2801-0102-02	MHED-D15T-K	Male
25-way	2801-0102-03	MHED-D25T-K	Male
37-way	2801-0102-04	MHED-D37T-K	Male
9-way	2801-0102-11	MHED-D09TF-K	Female

15-way	2801-0102-12	MHED-D15TF-K	Female
25-way	2801-0102-13	MHED-D25TF-K	Female
37-way	2801-0102-14	MHED-D37TF-K	Female



<b>Other Information:</b>					
Size	A	B	C	D	E
9	31,4	24,0	14,5	38,0	18,2
15	42,0	30,0	14,5	38,0	18,2
25	55,5	36,0	25,1	38,0	18,2
37	69,8	38,0	39,2	38,0	18,2