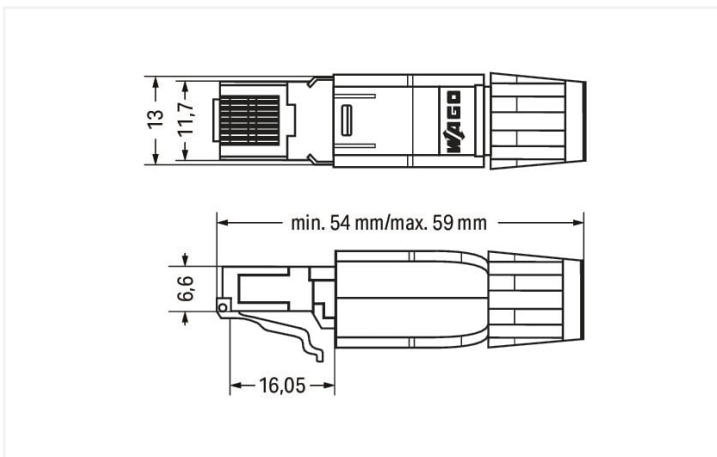
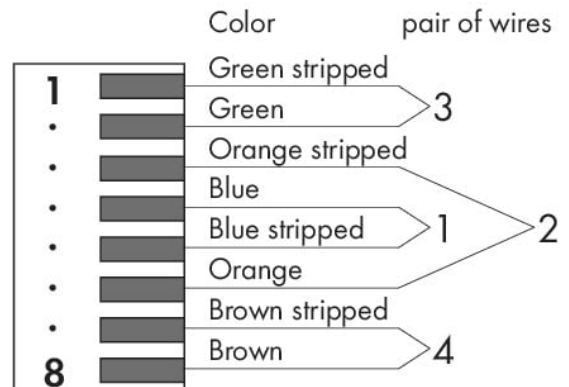


<https://www.wago.com/750-975>



Color: ■ light gray

### Pin assignment TIA-568A



Dimensions in mm

### Versatile RJ-45 connector for industrial, office and building wiring applications.

This compact RJ-45 ETHERNET Connector uses IDC technology for easy field assembly. Conductor termination is performed without any tools. The connector is compliant with all required standards. Large conductor cross-sections can also be connected. The connector complies with Category 5e.

Technical data	
Connection type	RJ-45 plug
Pole number	8
Cable connection direction to mating direction	0°
Communication/fieldbus	ETHERNET
Code	TIA-568A
Baud rate	-
Insulation resistance	(100 V) > 1 GΩ
Contact resistance	(Wire – IDC) < 1 mΩ; (Strand – IDC) < 5 mΩ

### Connection data

Connection type 1	IDC contact
Solid conductor	0.13 ... 0.24 mm <sup>2</sup> / 26/1 ... 23/1 AWG
Stranded conductor 2	0.14 ... 0.36 mm <sup>2</sup> / 26/7 ... 22/7 AWG

### Physical data

Width	14 mm
Height	14 mm
Depth	59 mm

### Mechanical data

Shield	Brass (CuZn); hot-dip tinned 3 µm; Shield contact: large surface >180°
Connection requirement (permissible cable type)	Cat. 5e
Connectable sheathed cable diameter	4.5 ... 8 mm
Housing material	Plastic
Contact material	Bronze (CuSn6)
Contact plating	> 1.2 µm gold over 1.2 µm nickel
Mating cycles (max.)	1000
Weight	10 g
Color	light gray

### Environmental requirements

Ambient temperature (operation)	-20 ... +70 °C
Ambient temperature (storage)	-40 ... +70 °C
Protection type	IP20
Relative humidity (without condensation)	95 %
Vibration resistance	4g per IEC 60068-2-6
Fire load	0 MJ
Standards/specifications	Basisnorm: IEC 60603-7 RJ-45 Category 5 CD ISO/IEC 11801: 2002 EN 50173: 2002 EIA/TIA 568A: 2002

### Commercial data

Product Group	15 (I/O System)
eCl@ss 10.0	27-24-26-92
eCl@ss 9.0	27-24-26-92
ETIM 8.0	EC002584
ETIM 7.0	EC002584
PU (SPU)	1 pcs
Packaging type	Box
Country of origin	CH
GTIN	4045454482480
Customs tariff number	85366990990

**Environmental Product Compliance**

RoHS Compliance Status Compliant, No Exemption

**Approvals / Certificates**

**General approvals**



Approval	Standard	Certificate Name
UL Underwriters Laboratories Inc.	UL 1977	E345416

**Approvals for marine applications**



Approval	Standard	Certificate Name
ABS American Bureau of Shipping	-	22-2219060
BV Bureau Veritas S.A.	-	30389/C0 BV
DNV DNV GL SE	DNV-CG-0339, Aug. 2021	TAA0000194
KR Korean Register of Shipping	-	KR HMB05880-AC001
LR Lloyds Register EMEA	-	LR22180952TA
PRS Polski Rejestr Statków	-	TE/2236/880590/19
RINA RINA Germany GmbH	-	ELE343521XG001

**Downloads**

**Environmental Product Compliance**

Compliance Search
Environmental Product Compliance 750-975 <a href="#">↓</a>


**Documentation**

Manual			
System Manual WAGO I/O System 750/753	V 3.3.1 23.06.2023	pdf 8634.77 KB	<a href="#">↓</a>

System Description	
Overview on WAGO-I/O-SYSTEM 750 approvals	pdf 770.48 KB <a href="#">↓</a>

Bid Text			
750-975	19.02.2019	xml 5.34 KB	<a href="#">↓</a>
750-975	06.10.2017	doc 27.00 KB	<a href="#">↓</a>

**CAD/CAE-Data**

CAE data	
EPLAN Data Portal 750-975	
WSCAD Universe 750-975	