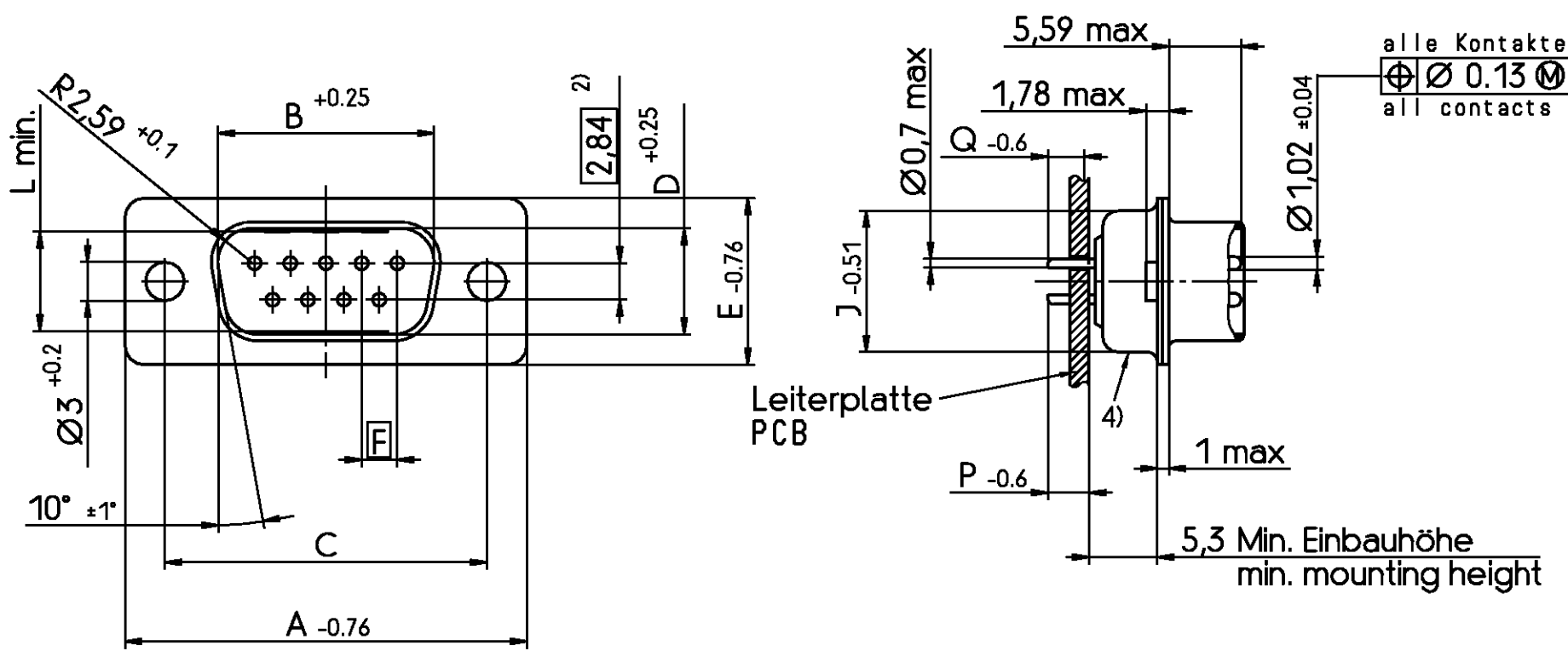


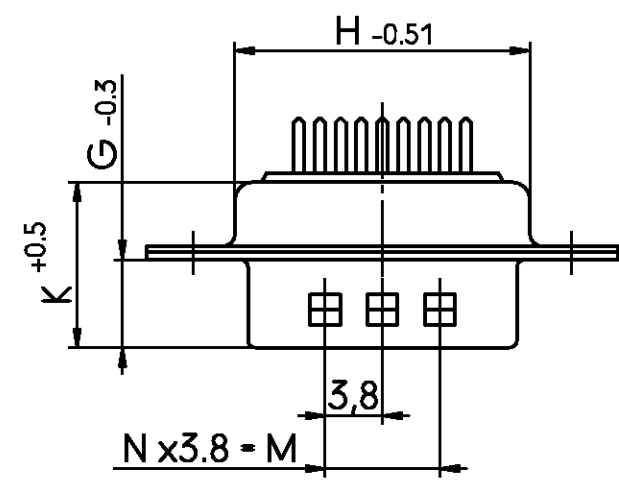
THIS INFORMATION IS CONFIDENTIAL AND PROPRIETARY TO TYCO ELECTRONICS CORPORATION AND ITS WORLDWIDE SUBSIDIARIES AND AFFILIATES. IT MAY NOT BE DISCLOSED TO ANYONE OTHER THAN TYCO ELECTRONICS PERSONNEL, WITHOUT WRITTEN AUTHORIZATION FROM TYCO ELECTRONICS CORPORATION, HARRISBURG PENNSYLVANIA USA

Standardausführung: V42254-A2115-C*** V42254-A2415-C*** 3)
 standard versions: V42254-A2117-C*** V42254-A2417-C*** 3)
 V42254-A2315-C*** V42254-A2515-C*** 3)
 V42254-A2317-C*** V42254-A2517-C*** 3)



- 1) nach DIN 41652 T.2 und T.4
- 2) Bemerkung: 50-polig: dreireihig
- 3) nicht für 50-polig
- 4) keine TE-Beschriftung bei:
 V42254-A2*17-C*** V42254-A2*18-C***
 V42254-A2122-C*** V42254-A2142-C***
 V42254-A2132-C*** V42254-A2152-C***
 V42254-A2133-C*** V42254-A2153-C***
- 5) Rille zur optischen Erkennung der Bolzentypen mit M3-Gewinde
- 6) Blechteile örtlich herunter gedrückt
- 7) Nur bei Ausführung mit Lötstielänge P = 3,2mm
- 8) Sicke nur bei den 4 äußeren Masselötstielen.

- 1) according to DIN 41652 p.2 and p.4
- 2) note: 50-contacts version: 3 contact rows
- 3) not for 50-contacts version
- 4) no TE-marking for:
 V42254-A2*17-C*** V42254-A2*18-C***
 V42254-A2122-C*** V42254-A2142-C***
 V42254-A2132-C*** V42254-A2152-C***
 V42254-A2133-C*** V42254-A2153-C***
- 5) groove in the stud bolts with M3 thread (visual recognition)
- 6) shells pressed down locally
- 7) only for versions with soldering-pin length of P = 3,2mm
- 8) only the four corner grounding soldering-pins have a rib



Sachnr. ordering code V42254-A2*1*-	Polzahl No. of contacts	dimension Maß	A	B	C	D	E	F	G	H	J	K	L	M	N
C*09	09		31.19	16.79	25.0 ^{+0.12} / _{-0.13}	8.23	12.93	2.74	6.12	19.53	10.97	10.46	7.72	7.6	2
C*15	15		39.52	25.12	33.3 ^{+0.15} / _{-0.1}	8.23	12.93	2.74	6.12	27.76	10.97	10.46	7.69	15.2	4
C*25	25		53.42	38.84	47.04 ^{+0.13} / _{-0.13}	8.23	12.93	2.76	5.99	41.53	10.97	10.57	7.65	26.6	7
C*37	37		69.7	55.3	63.5 ^{+0.13} / _{-0.13}	8.23	12.93	2.76	5.99	57.96	10.97	10.57	7.65	41.8	11
C*50	50 ²⁾		67.31	52.68	61.1 ^{+0.14} / _{-0.11}	11.07	15.75	2.76	5.99	55.58	13.82	10.57	10.45	41.8	11

Anforderungsstufe / performance level ¹⁾

V42254-	P	Q
A211*-+***	3.2	3.2
A231*-+***	5.55	5.55
A241*-+*** ³⁾	1.55	1.55
A251*-+*** ³⁾	13.65	14.05

dargestellt wird die 9-polige Ausführung
drawn is the 9-contacts version

TE Connectivity

SCALE 2:1

WEIGHT

MATERIAL

PART NAME Sub-D Loetstiften gerade
Stiftleiste mit Schirmfiederung
D-Sub straight soldering pins
male connector with grounding fingers

PART NO. V42254-A2***-C***-*-27

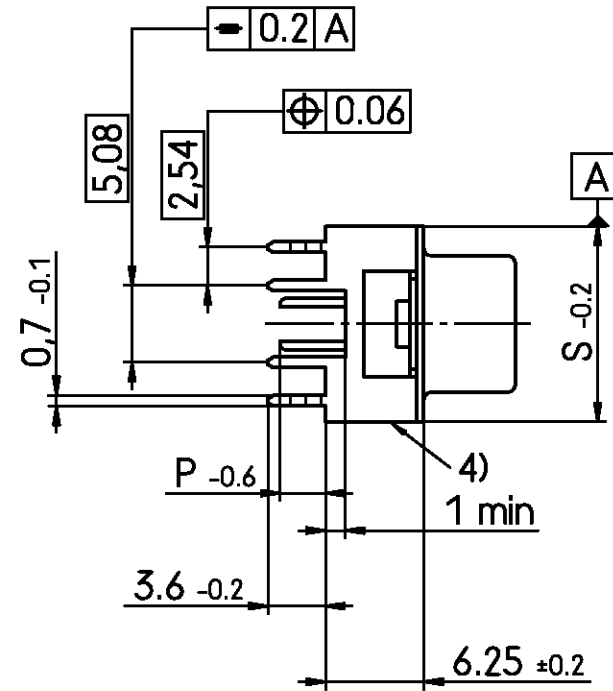
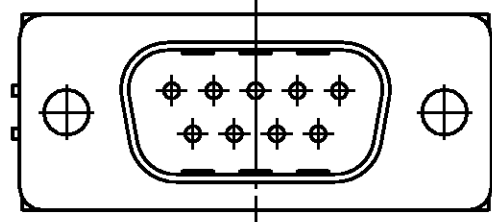
SHT. 1+

REV.	CHANGE ORDER	DATE	APP.	Customer Drawing Nr. C-7-1393483-3
D3	ECR-10-026542	30MAY11	HMR	DATE 01.03.90
D2	ECR-11-001872	11MAY11	KMA	NAME Embo
D1	ECR-10-019447	23DEC10	KMA	DEP. PE Com PE&SE
D	ECR-10-017690	31AUG10	KMA	TOLERANCE UNLESS SPECIFIED OTHERWISE
C1	ECO-10-000445	12JAN10	AEG	
C	ECR-06-029564	18 DEC 06	JvdH	

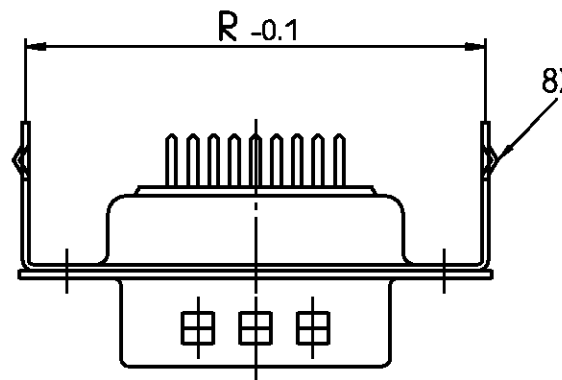
PROPRIETARY:

mit Masselötstiften:
with grounding soldering pins: 3)

V42254-A2215-C***
V42254-A2217-C***
V42254-A2815-C***
V42254-A2817-C***



V42254-	P
A221*-+***	3.2
A281*-+***	5.55



Sachnr. ordering code V42254-A2*1*-	Polzahl No. of contacts	dimension Maß	
		R	S
C*09	09	30.4	12.4
C*15	15	38.8	12.4
C*25	25	52.7	12.4
C*37	37	69.1	12.4

Anforderungsstufe / performance level 1)

Erläuterungen: Seite 1
dargestellt wird die 9-polige Ausführung
remarks: see page 1
drawn is the 9-contacts version

TE TE Connectivity		SCALE 2:1		WEIGHT
LOC GW		DIMENSIONS IN MM		MATERIAL
DATE	01.03.90	PART NAME		Sub-D Loetstiften gerade Stiftleiste mit Schirmfiederung D-Sub straight soldering pins male connector with grounding fingers
NAME	Embo	PART NO.		
DEP.	PE Com PE&SE	SHT. 3+		
TOLERANCE UNLESS SPECIFIED OTHERWISE		PART NO.		OF 8
D3	SEE SHEET 1	V42254-A2***-C***-*-27		
REV.	CHANGE ORDER	DATE	APP.	Customer Drawing Nr. C-7-1393483-3

THIS INFORMATION IS CONFIDENTIAL AND PROPRIETARY TO TYCO ELECTRONICS CORPORATION AND ITS WORLDWIDE SUBSIDIARIES AND AFFILIATES. IT MAY NOT BE DISCLOSED TO ANYONE, OTHER THAN TYCO ELECTRONICS PERSONNEL, WITHOUT WRITTEN AUTHORIZATION FROM TYCO ELECTRONICS CORPORATION, HARRISBURG PENNSYLVANIA USA

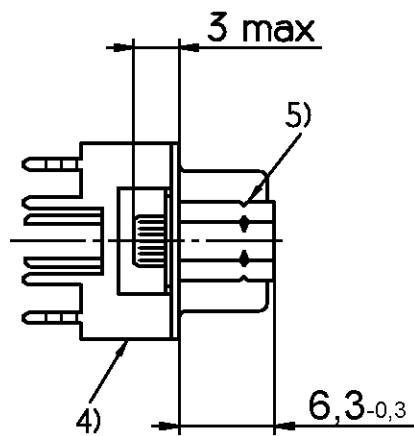
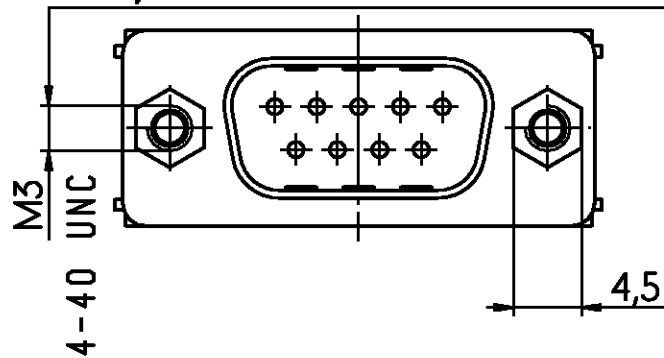
PROPRIETARY:

THIS INFORMATION IS CONFIDENTIAL AND PROPRIETARY TO TYCO ELECTRONICS CORPORATION AND ITS WORLDWIDE SUBSIDIARIES AND AFFILIATES. IT MAY NOT BE DISCLOSED TO ANYONE, OTHER THAN TYCO ELECTRONICS PERSONNEL, WITHOUT WRITTEN AUTHORIZATION FROM TYCO ELECTRONICS CORPORATION, HARRISBURG-PENNSYLVANIA USA

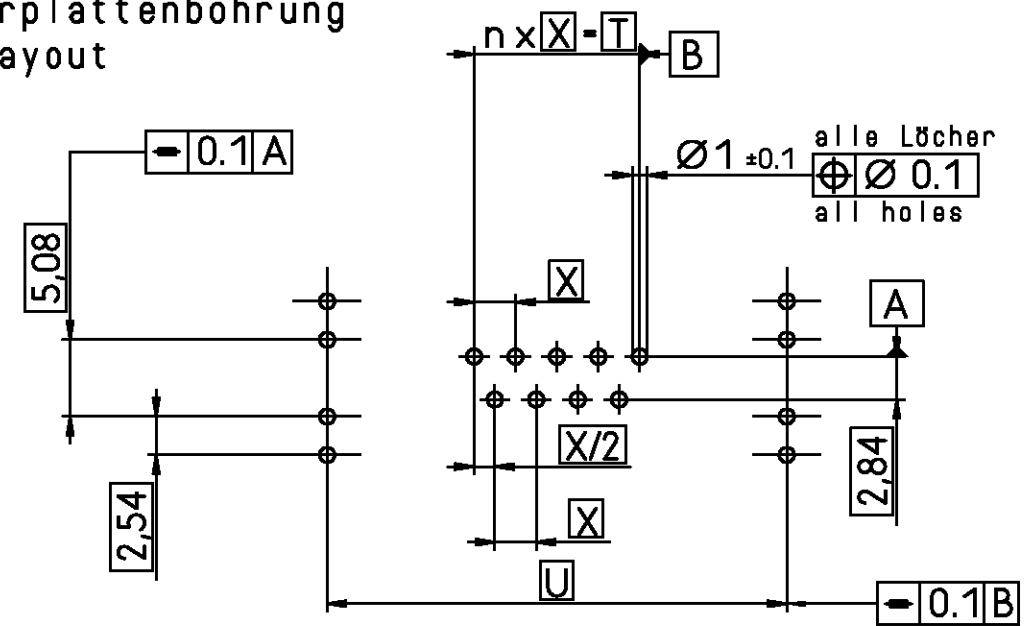
mit Masselötstiften und Gewindebolzen:
with grounding soldering-pins and screwlock stud bolts: 3)

M3: V42254-A2219-C*** 4-40 UNC: V42254-A2216-C***
 V42254-A2218-C***
 V42254-A2819-C*** V42254-A2816-C***
 V42254-A2818-C***

Verdrehsicherheit ≥ 70 Ncm
torque retention ≥ 70 Ncm



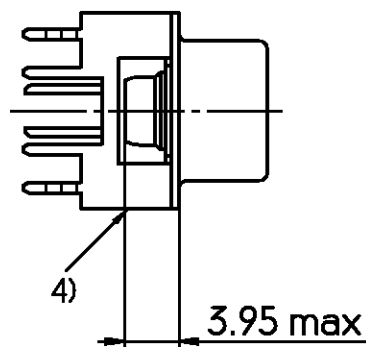
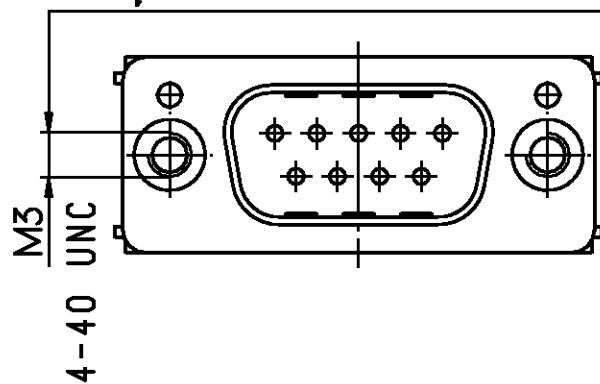
Leiterplattenbohrung
PCB layout



mit Masselötstiften und Stop-Mutter:
with grounding soldering-pins and thread: 3)

M3: V42254-A2214-C*** 4-40 UNC: V42254-A2212-C***
 V42254-A2814-C*** V42254-A2812-C***

Verdrehsicherheit ≥ 130 Ncm
torque retention ≥ 130 Ncm



Polzahl No. of contacts	n	Abmessungen in mm dimensions in mm		
		T	U	X
9	4	10.96	30.4	2.74
15	7	19.18	38.8	2.74
25	12	33.12	52.7	2.76
37	18	49.68	69.1	2.76

Erläuterungen: Seite 1
dargestellt wird die 9-polige Ausführung
remarks: see page 1
drawn is the 9-contacts version

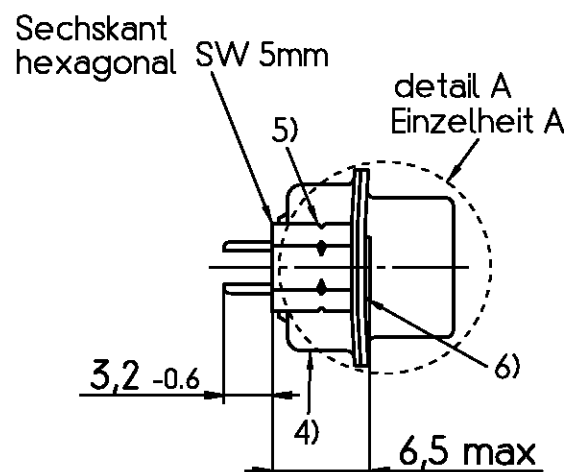
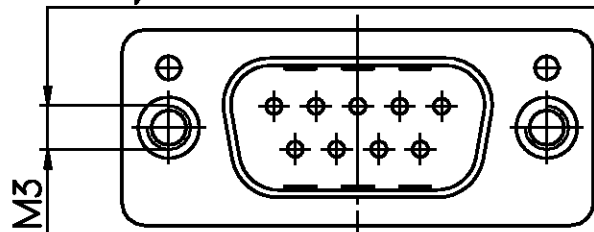
		SCALE 2:1		WEIGHT
		MATERIAL		
DATE 01.03.90		PART NAME Sub-D Loetstiften gerade Stiftleiste mit Schirmfiederung D-Sub straight soldering pins male connector with grounding fingers		
NAME Embo				
DEP. PE Com PE&SE				
TOLERANCE UNLESS SPECIFIED OTHERWISE		PART NO.		SHT. 4+
D3 SEE SHEET 1	V42254-A2***-C***-*-27			
REV. CHANGE ORDER	DATE	APP.	Customer Drawing Nr. C-7-1393483-3	
			OF 8	

PROPRIETARY:

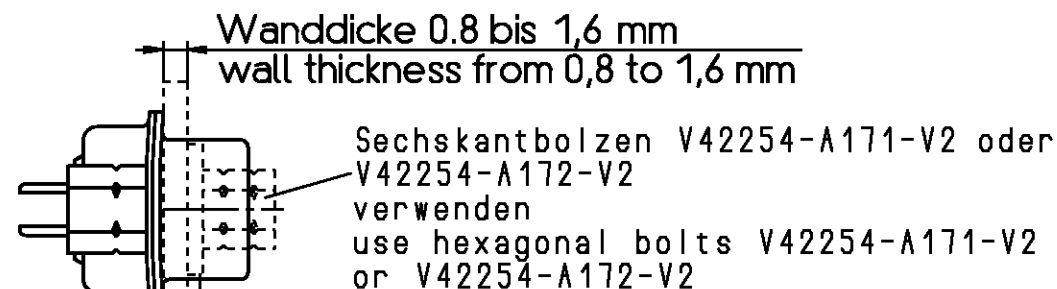
mit Distanzbolzen :
with distance bolts: 7)

V42254-A2120-C***
V42254-A2122-C***

Verdrehsicherheit ≥ 20 Ncm
torque retention ≥ 20 Ncm



Montageart
mounting type

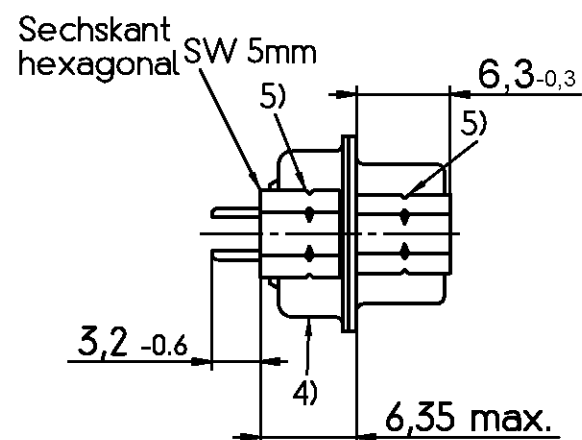
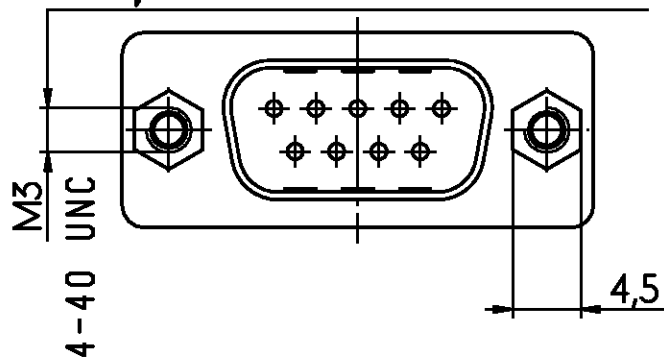


Falls notwendig Distanzscheiben verwenden
if necessary, use washer(s)

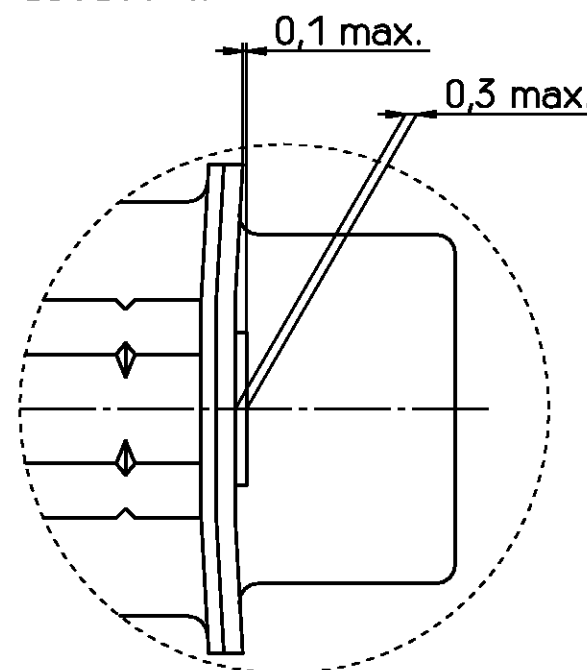
mit Gewinde- und Distanzbolzen
with screwlock stud bolts and distance bolts: 7)

	Gewindebolzen screwlock stud bolts	Distanzbolzen distance bolts
V42254-A2130-C***	M3	M3
V42254-A2131-C***	4-40 UNC	M3
V42254-A2132-C***	M3	M3
V42254-A2133-C***	4-40 UNC	M3

Verdrehsicherheit ≥ 80 Ncm
torque retention ≥ 80 Ncm



Einzelheit A (5:1)
detail A



Erläuterungen: Seite 1
dargestellt wird die 9-polige Ausführung
remarks: see page 1
drawn is the 9-contacts version

		SCALE 2:1		WEIGHT	
		MATERIAL			
DATE 01.03.90		PART NAME Sub-D Loetstiften gerade			
NAME Embo		Stiftleiste mit Schirmfiederung			
DEP. PE Com PE&SE		D-Sub straight soldering pins			
TOLERANCE UNLESS SPECIFIED OTHERWISE		PART NO. V42254-A2***-C***-*-27			
D3 SEE SHEET 1		SHT. 5+			
REV. CHANGE ORDER	DATE	APP.	Customer Drawing Nr. C-7-1393483-3		
			OF 8		

THIS INFORMATION IS CONFIDENTIAL AND PROPRIETARY TO TYCO ELECTRONICS CORPORATION AND ITS WORLDWIDE SUBSIDIARIES AND AFFILIATES. IT MAY NOT BE DISCLOSED TO ANYONE, OTHER THAN TYCO ELECTRONICS PERSONNEL, WITHOUT WRITTEN AUTHORIZATION FROM TYCO ELECTRONICS CORPORATION, HARRISBURG PENNSYLVANIA USA

PROPRIETARY:

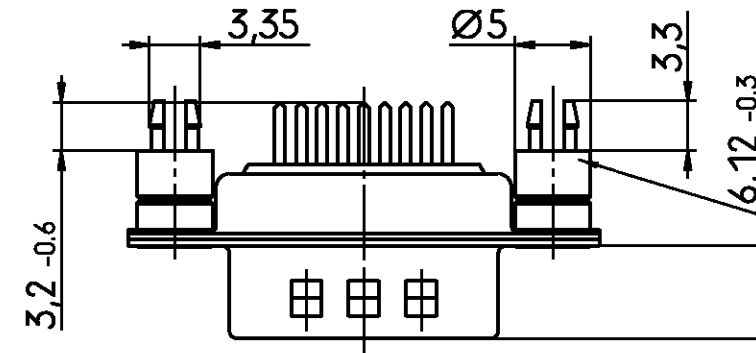
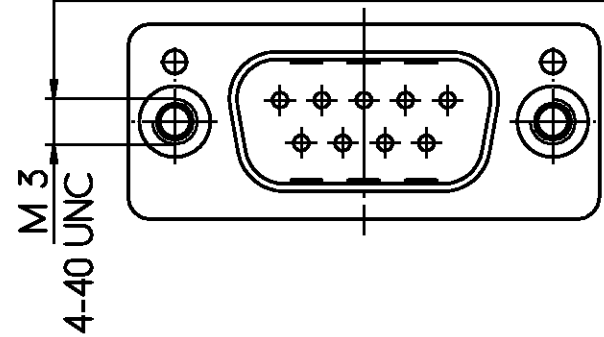
THIS INFORMATION IS CONFIDENTIAL AND PROPRIETARY TO TYCO ELECTRONICS CORPORATION AND ITS WORLDWIDE
 SUBSIDIARIES AND AFFILIATES. IT MAY NOT BE DISCLOSED TO ANYONE, OTHER THAN TYCO ELECTRONICS PERSONNEL,
 WITHOUT WRITTEN AUTHORIZATION FROM TYCO ELECTRONICS CORPORATION, HARRISBURG PENNSYLVANIA USA

PROPRIETARY:

mit Distanzbolzen und Clip :
with distance bolts and grounding socket: 7)

M3 : V42254-A2140-C*** 4-40 UNC : V42254-A2141-C***
V42254-A2142-C***

Verdrehsicherheit ≥ 20 Ncm
torque retention ≥ 20 Ncm

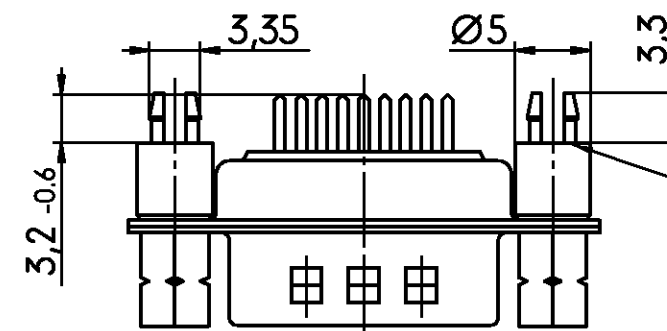
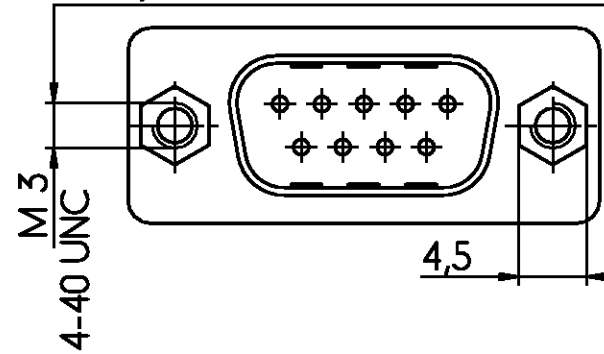


Clip für :
grounding socket for:
- Loch:
hole: $\varnothing 3,2^{+0.1}$
- LP-Dicke:
PCB thickness: $1,5 \pm 0.1$

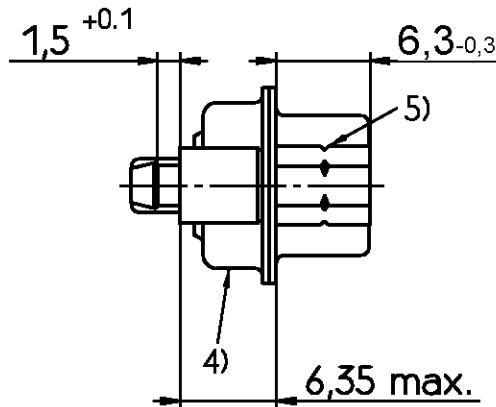
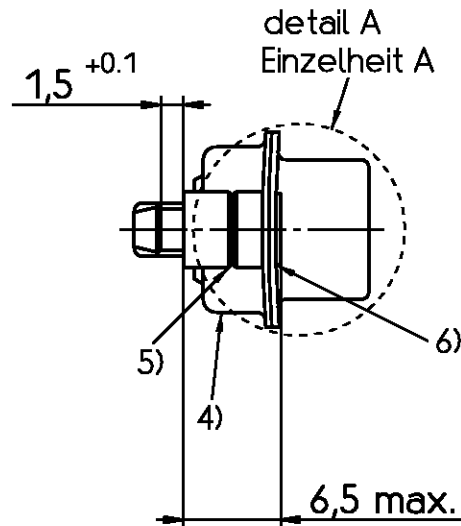
mit Gewinde- und Distanzbolzen mit Clip :
with screwlock stud bolts and distance bolts and grounding socket: 7)

M3 : V42254-A2150-C*** 4-40 UNC : V42254-A2151-C***
V42254-A2152-C*** V42254-A2153-C***

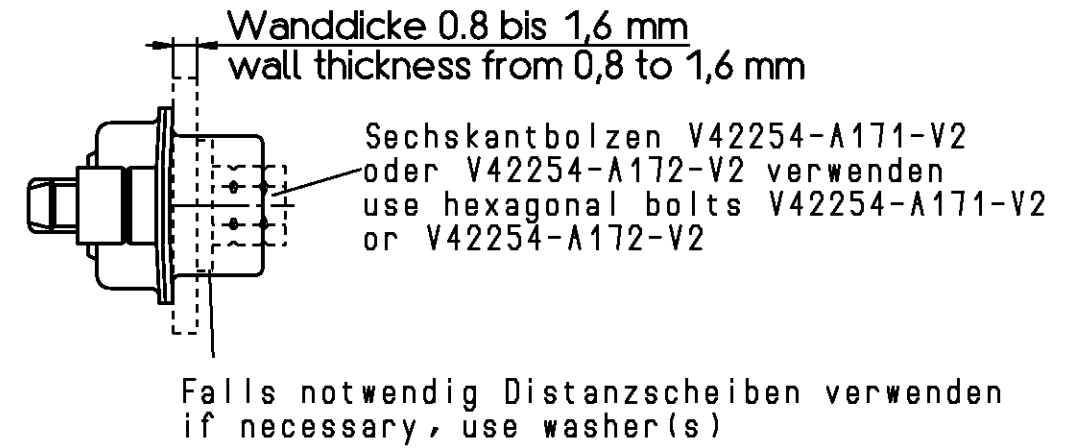
Verdrehsicherheit ≥ 80 Ncm
torque retention ≥ 80 Ncm



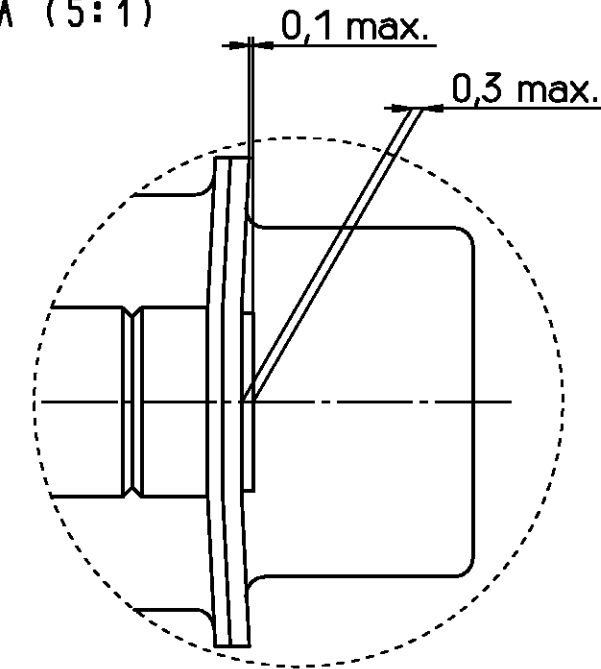
Clip für :
grounding socket for:
- Loch:
hole: $\varnothing 3,2^{+0.1}$
- LP-Dicke:
PCB thickness: $1,5 \pm 0.1$



Montageart
mounting type



Einzelheit A (5:1)
detail A



Erläuterungen: Seite 1
dargestellt wird die 9-polige Ausführung
remarks: see page 1
drawn is the 9-contacts version

		SCALE 2:1		WEIGHT
		MATERIAL		
DATE 01.03.90		PART NAME Sub-D Loetstiften gerade		
NAME Embo		Stiftleiste mit Schirmfiederung		
DEP. PE Com PE&SE		D-Sub straight soldering pins		
TOLERANCE UNLESS SPECIFIED OTHERWISE		PART NO.		SHT. 6+
D3 SEE SHEET 1		V42254-A2***-C***-*-27		OF 8
REV.	CHANGE ORDER	DATE	APP.	Customer Drawing Nr. C-7-1393483-3

V 4 2 2 5 4 - A 2 * * * - C * * *

Anschlußausführung // connection type	
1	Lötstiftlänge 3.2mm // soldering pin length 3.2mm
2	Lötstiftlänge 3.2mm mit Messelötstiften 1) // soldering pin length 3.2mm with grounding soldering pins
3	Lötstiftlänge 5.55mm // soldering pin length 5.55mm
4	Lötstiftlänge 1.55mm 1) // soldering pin length 1.55mm 1)
5	Lötstiftlänge 14.05mm 1) // soldering pin length 14.05mm 1)
8	Lötstiftlänge 5.55mm mit Messelötstiften 1) // soldering pin length 5.55mm with grounding soldering pins 1)

Steckerart // connector type	
C	Stiftleiste mit Schirmfiederung // male connector with grounding fingers
Kontaktoberfläche / Kontaktart // contact surface / contact type	
1	Anforderungsstufe 1 / gerollte Kontakte // performance level I / rolled contacts
2	Anforderungsstufe 2 / gerollte Kontakte // performance level II / rolled contacts

Polzahl // no. of contacts	
09	9-polig // 9-contacts
15	15-polig // 15-contacts
25	25-polig // 25-contacts
37	37-polig // 37-contacts
50	50-polig // 50-contacts

Steckverbinderunterscheidung // connector hardware

1*	2*	3*	4*	5*
Standardausführung + Ausführung mit Gewindeeinsatz oder Gewindebolzen standard version + version with thread insert or screwlock stud bolts	Ausführung mit Distanzbolzen version with distance bolts	Ausführung mit Gewindebolzen und Distanzbolzen version with screwlock stud bolts and distance bolts	Ausführung mit Distanzbolzen mit Clip version with distance bolts and grounding socket	Ausführung mit Gewindebolzen und Distanzbolzen mit Clip version with screwlock stud bolts and distance bolts and grounding socket
mit TE-Beschriftung auf Blechteil with TE-marking on the shell	Distanzbolzen distance bolts	mit Gewindebolzen with screwlock stud bolts	mit Distanzbolzen with distance bolts	mit Gewindebolzen with screwlock stud bolts
mit Stopmutter mit thread insert	mit TE-Beschriftung auf Blechteil with TE-marking on the shell	mit Distanzbolzen with distance bolts	mit TE-Beschriftung auf Blechteil with TE-marking on the shell	mit Distanzbolzen with distance bolts
mit Gewindebolzen with screwlock stud bolts		mit TE-Beschriftung auf Blechteil with TE-marking on the shell		mit TE-Beschriftung auf Blechteil with TE-marking on the shell
12	20	30	40	50
ja // yes	M3	M3	M3 + Clip grounding socket	M3 Clip grounding socket
4-40UNC	ja // yes	M3	ja // yes	4-40UNC Clip grounding socket
nein // no	M3	M3	ja // yes	M3 Clip grounding socket
14	22	31	41	51
ja // yes	M3	4-40UNC	4-40UNC + Clip grounding socket	4-40UNC Clip grounding socket
nein // no	nein // no	M3	ja // yes	M3 Clip grounding socket
15		32	42	52
ja // yes		M3	M3 + Clip grounding socket	M3 Clip grounding socket
nein // no		M3	nein // no	nein // no
16		33		53
ja // yes		4-40UNC		4-40UNC Clip grounding socket
nein // no		M3		nein // no
17				
nein // no				
18				
nein // no				
19				
ja // yes				
nein // no				

THIS INFORMATION IS CONFIDENTIAL AND PROPRIETARY TO TYCO ELECTRONICS CORPORATION AND ITS WORLDWIDE SUBSIDIARIES AND AFFILIATES. IT MAY NOT BE DISCLOSED TO ANYONE, OTHER THAN TYCO ELECTRONICS PERSONEL, WITHOUT WRITTEN AUTHORIZATION FROM TYCO ELECTRONICS CORPORATION, HARRISBURG PENNSYLVANIA USA.





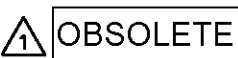

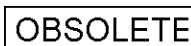




1) nicht für 50-polig
2) nur für Lötstiftlänge 3.2mm
1) not for 50-contacts version
2) not for soldering pin length 3.2mm




		SCALE	WEIGHT
DATE 01.03.90		MATERIAL	
NAME Embo		PART NAME Sub-D Lötstiften gerade Stiftleiste mit Schirmfiederung D-Sub straight soldering pins male connector with grounding fingers	
APP. PE Com PE&SE		PART NO. V42254-A2***-C***-27	
TOLERANCE UNLESS SPECIFIED OTHERWISE		SHT. 7+	
D3 SEE SHEET 1	REV. CHANGE ORDER	DATE	APP. Customer Drawing Nr. C-7-1393483-3
		OF 8	

THIS INFORMATION IS CONFIDENTIAL AND PROPRIETARY TO TYCO ELECTRONICS CORPORATION AND ITS WORLDWIDE SUBSIDIARIES AND AFFILIATES. IT MAY NOT BE DISCLOSED TO ANYONE OTHER THAN TYCO ELECTRONICS PERSONNEL, WITHOUT WRITTEN AUTHORIZATION FROM TYCO ELECTRONICS CORPORATION, HARRISBURG PENNSYLVANIA USA

PROPRIETARY:

 OBSOLETE PARTS: OBSOLETE CIS STREAMLINING PER D.RENAUD/D.SINISI

TE PARTNUMBER	OLD PART NUMBER	ALTERNATE TE PARTNUMBER
2-1393502-4	SUPERSEDED BY 1392009-8	
 7-1393483-7	V42254-A2114-C215	7-6393483-7
7-1393483-8	V42254-A2114-C225	7-6393483-8
9-1393483-3	V42254-A2115-C209	
9-1393483-4	V42254-A2115-C215	
9-1393483-5	V42254-A2115-C225	
9-1393483-6	V42254-A2115-C237	
 1-1393740-5	V42254-A2115-C250	
1-1393484-9	V42254-A2141-C209	
 2-1393484-0	V42254-A2141-C237	
2-1393484-5	V42254-A2151-C209	
2-1393740-4	V42254-A2212-C209	
2-1393740-5	V42254-A2212-C215	
2-1393740-6	V42254-A2212-C225	
3-1393740-3	V42254-A2214-C209	
3-1393740-4	V42254-A2214-C215	
 3-1393740-5	V42254-A2214-C225	3-6393740-5
3-1393740-6	V42254-A2214-C237	
5-1393740-2	V42254-A2215-C209	
 5-1393740-3	V42254-A2215-C215	SUPERSEDED BY 7-1393740-9
5-1393740-4	V42254-A2215-C225	
 5-1393740-5	V42254-A2215-C237	
5-1419149-2	V42254-A2216-C109	
5-1419149-3	V42254-A2216-C115	
5-1419149-4	V42254-A2216-C125	
5-1419149-5	V42254-A2216-C137	
7-1393740-8	V42254-A2216-C209	
7-1393740-9	V42254-A2216-C215	
8-1393740-0	V42254-A2216-C225	
 8-1393740-1	V42254-A2216-C237	
 9-1393740-4	V42254-A2219-C209	
9-1393740-6	V42254-A2219-C225	
9-1393740-7	V42254-A2219-C237	
 3-1393484-7	V42254-A2315-C209	
3-1393484-8	V42254-A2315-C215	
3-1393484-9	V42254-A2315-C225	
 4-1393484-0	V42254-A2315-C237	
9-1393740-9	V42254-A2315-C250	
1393741-2	V42254-A2814-C225	
2-1392010-9	V42254-A2815-C237	
 1393741-7	V42254-A2819-C225	
1857903-3	V42254-A2153-C225	
1857903-5	V42254-A2153-C250	

		 DIMENSIONS IN MM		SCALE 2:1	WEIGHT
				MATERIAL	
DATE	01.05.90	PART NAME		Sub-D Loetstiften gerade	
NAME	Embo	PART NO.		Stiftleiste mit Schirmfiederung	
DEP.	PE Com PE&SE	PART NO.		D-Sub straight soldering pins	
TOLERANCE UNLESS SPECIFIED OTHERWISE		PART NO.		male connector with grounding fingers	
D3	SEE SHEET 1	PART NO.		V42254-A2***-C***-*27	
REV.	CHANGE ORDER	DATE	APP.	Customer Drawing Nr. C-7-1393483-3	
				SHT.	8+
				OF 8	