

Low voltage 4  $\Omega$  SPDT switch


SOT23-6L

## Features

- High speed:
  - $t_{PD} = 0.3$  ns (typ.) at  $V_{CC} = 5$  V
  - $t_{PD} = 0.4$  ns (typ.) at  $V_{CC} = 3.3$  V
- Low power dissipation:
  - $I_{CC} = 1$   $\mu$ A (max.) at  $T_A = 25$  °C
- Low on resistance:
  - $R_{ON} = 4$   $\Omega$  (max.  $T_A = 25$  °C) at  $V_{CC} = 5$  V
  - $R_{ON} = 6$   $\Omega$  (typ.) at  $V_{CC} = 3$  V
- Wide operating voltage range:
  - $V_{CC}$  (OPR) = 1.8 V to 5.5 V single supply

## Description

The STG719 is a high-speed S.P.D.T. (single pole double throw) switch developed thanks to silicon gate C<sup>2</sup>MOS technology. It is designed to operate from 1.8 V to 5.5 V, making this device ideal for portable applications, audio signal routing, video switching, mobile and communication systems.

It offers 4  $\Omega$  on-resistance max. at 5 V 25 °C and very low on-resistance flatness. Additional key features are fast switching speed ( $t_{ON} = 7$  ns,  $t_{OFF} = 4.5$  ns), break before make delay time and low power consumption.

All inputs and outputs are equipped with protection circuits against static discharge, giving them ESD immunity and transient excess voltage. It is available in the commercial and extended temperature range.

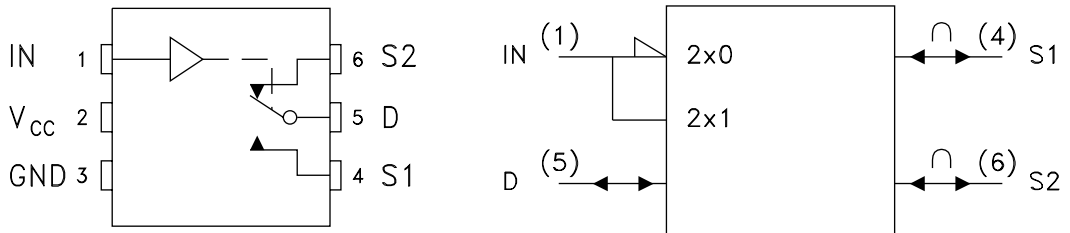
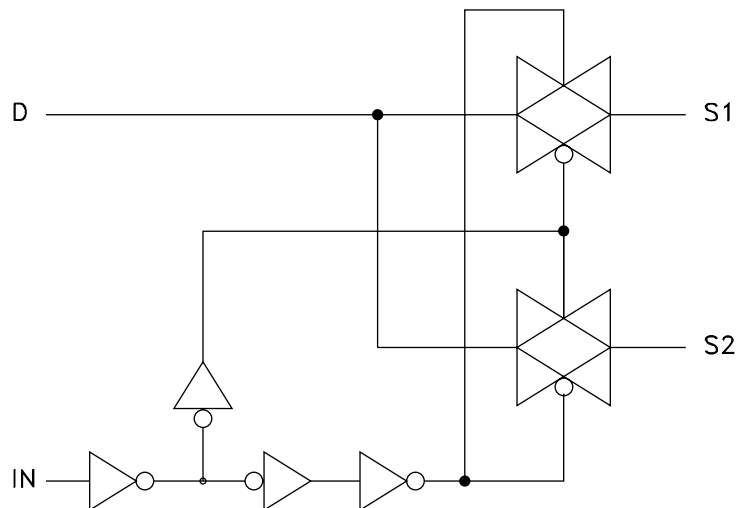
## Maturity status link

[STG719](#)

## Order code

<b>Package</b>	SOT23-6L
<b>Tape and reel</b>	STG719STR

# 1 Pin connection

**Figure 1. Pin connection and IEC logic symbols**

**Figure 2. Input equivalent circuit**

**Table 1. Pin description**

Pin n°	Symbol	Name and function
1	IN	Control
4, 6	S1, S2	Independent channel
5	D	Common channel
2	V <sub>CC</sub>	Positive supply voltage
3	GND	Ground (0 V)

**Table 2. Truth table**

IN	Switch S1	Switch S2
L	ON	OFF
H	OFF	ON

## 2 Maximum ratings

**Table 3. Absolute maximum ratings**

Symbol	Parameter	Value	Unit
$V_{CC}$	Supply voltage	-0.5 to +7.0	V
$V_I$	DC input voltage	-0.5 to $V_{CC} + 0.5$	V
$V_{IC}$	DC control input voltage	-0.5 to $V_{CC} + 0.5$	V
$V_O$	DC output voltage	-0.5 to $V_{CC} + 0.5$	V
$I_{IK}$	DC input diode current	$\pm 20$	mA
$I_{OK}$	DC output diode current	$\pm 20$	mA
$I_O$	DC output current	$\pm 50$	mA
$I_{CC}$ or $I_{GND}$	DC $V_{CC}$ or ground current	$\pm 50$	mA
$I_{P-P}$	Peak to peak current	100	mA
$T_{stg}$	Storage temperature	-65 to +150	°C
$T_L$	Lead temperature (10 s.)	300	°C

**Note:** Absolute maximum ratings are those values beyond which damage to the device may occur. Functional operation under these conditions is not implied.

**Table 4. Recommended operating conditions**

Symbol	Parameter	Value	Unit
$V_{CC}$	Supply voltage <sup>(1)</sup>	1.8 to 5.5	V
$V_I$	Input voltage	0 to $V_{CC}$	V
$V_{IC}$	Control input voltage	0 to $V_{CC}$	V
$V_O$	Output voltage	0 to $V_{CC}$	V
$T_{op}$	Operating temperature	-55 to 125	°C
dt/dv	Input rise and fall time on control pin <sup>(2)</sup>	0 to 10	ns/V
dt/dv	Input rise and fall time on I/O pins	0 to DC	ns/V

1. Truth table guaranteed: 1.2 V to 6 V.
2.  $V_{IN}$  from 30% to 70% of  $V_{CC}$ .

**Table 5. DC specifications**

Symbol	Parameter	Test conditions		Value						Unit	
		V <sub>CC</sub> (V)		T <sub>A</sub> = 25 °C			-40 to 85 °C		-55 to 125 °C		
				Min.	Typ.	Max.	Min.	Max.	Min.		Max.
V <sub>IHC</sub>	High level control input voltage	3.3 <sup>(1)</sup>		2.0			2.0		2.0		V
		5.0 <sup>(2)</sup>		2.4			2.4		2.4		
		5.0 <sup>(3)</sup>		2.25			2.25		2.25		
V <sub>ILC</sub>	Low level control input voltage	3.3 <sup>(1)</sup>				0.4		0.4		0.4	V
		5.0 <sup>(2)</sup>				0.8		0.8		0.8	
R <sub>ON</sub>	ON-resistance	3.3 <sup>(1)</sup>	V <sub>S</sub> = 0 to V <sub>CC</sub>		6	7		10		12	Ω
		5.0 <sup>(2)</sup>	I <sub>S</sub> = 10 mA			4		5		6	
ΔR <sub>ON</sub>	ON-resistance	3.3 <sup>(1)</sup>	V <sub>S</sub> = 0 to V <sub>CC</sub>		0.1			0.4			Ω
		5.0 <sup>(2)</sup>	I <sub>S</sub> = 10 mA		0.1			0.4			
R <sub>FLATON</sub>	ON-resistance flatness	3.3 <sup>(1)</sup>	V <sub>S</sub> = 0 to V <sub>CC</sub>		2.5						Ω
		5.0 <sup>(2)</sup>	I <sub>S</sub> = 10 mA		0.75						
I <sub>SOFF</sub>	Source OFF leakage	3.3 <sup>(1)</sup>	V <sub>S</sub> = 1 V or V <sub>CC</sub> V <sub>DD</sub> = V <sub>CC</sub> or 1 V V <sub>IN</sub> = V <sub>CC</sub> or GND		±0.01	±0.25		± 0.35		± 3.5	nA
		5.0 <sup>(2)</sup>			±0.01	±0.25		± 0.35		± 3.5	
I <sub>SON</sub>	Channel ON leakage	3.3 <sup>(1)</sup>	V <sub>S</sub> = V <sub>D</sub> = 1 V to V <sub>CC</sub> - 2.5 V V <sub>IN</sub> = V <sub>IHC</sub>		±0.01	±0.25		± 0.35		± 3.5	nA
		5.0 <sup>(2)</sup>			±0.01	±0.25		± 0.35		± 3.5	
I <sub>IN</sub>	Control input leakage current	3.3 <sup>(1)</sup>	V <sub>I</sub> = V <sub>IH</sub> or V <sub>IL</sub>		0.005			±0.1		±1	μA
		5.0 <sup>(2)</sup>			0.005			±0.1		±1	
I <sub>CC</sub>	Quiescent supply current	3.3 <sup>(1)</sup>	V <sub>I</sub> = V <sub>CC</sub> or GND		0.001	1		1		2	μA
		5.0 <sup>(2)</sup>			0.001			1		2	

1. Voltage range is 3.3 V ± 0.3 V
2. Voltage range is 5 V ± 0.5 V
3. Voltage range is 5 V ± 0.125 V

### 3 Electrical characteristics

 $C_L = 35 \text{ pF}$ ,  $R_L = 300 \Omega$ 
**Table 6. AC electrical characteristics**

Symbol	Parameter	Test conditions		Value						Unit	
		V <sub>CC</sub> (V)		T <sub>A</sub> = 25 °C			-40 to 85 °C		-55 to 125 °C		
				Min.	Typ.	Max.	Min.	Max.	Min.		Max.
t <sub>PD</sub>	Delay time	3.3 <sup>(1)</sup>	V <sub>S</sub> = 3 V square wave f = 1 MHz t <sub>r</sub> = t <sub>f</sub> = 6 ns		0.4	0.8		1.2		2.4	ns
		5.0 <sup>(2)</sup>			0.3	0.6		1.0		2.0	
t <sub>ON</sub>	ON channel time	3.3 <sup>(1)</sup>	V <sub>S</sub> = 2 V		10			16		19	ns
		5.0 <sup>(2)</sup>	V <sub>S</sub> = 3 V		7			11		13	
t <sub>OFF</sub>	OFF channel time	3.3 <sup>(1)</sup>	V <sub>S</sub> = 2 V		5.5			7		8.5	ns
		5.0 <sup>(2)</sup>	V <sub>S</sub> = 3 V		4.5			6		7.5	
t <sub>D</sub>	Break before make time delay	3.3 <sup>(1)</sup>	V <sub>S</sub> = 2 V	1	4						ns
		5.0 <sup>(2)</sup>	V <sub>S</sub> = 3 V	1	4						
C <sub>SOFF</sub>	OFF channel				19						pF
C <sub>SON</sub>	ON channel				33						pF

1. Voltage range is 3.3 V ± 0.3 V
2. Voltage range is 5.0 V ± 0.5 V

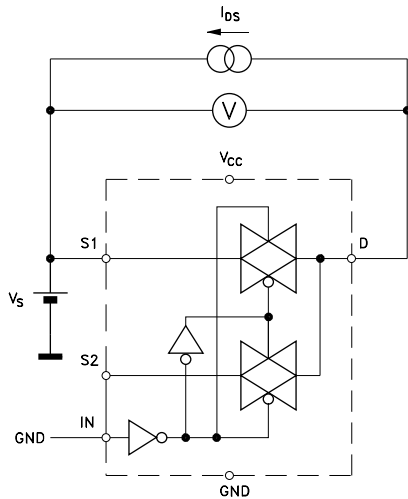
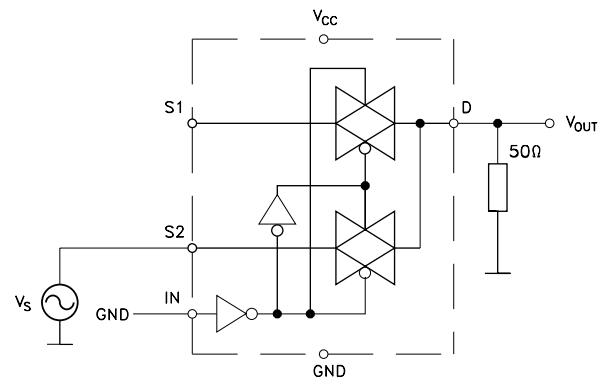
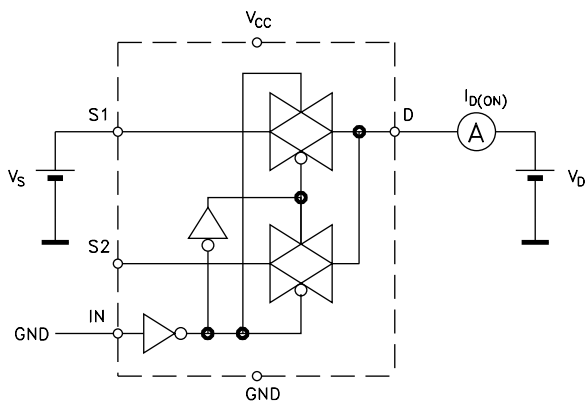
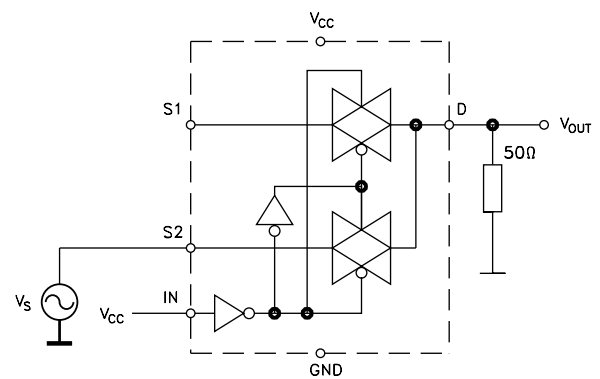
 GND = 0 V; T<sub>A</sub> = 25°C

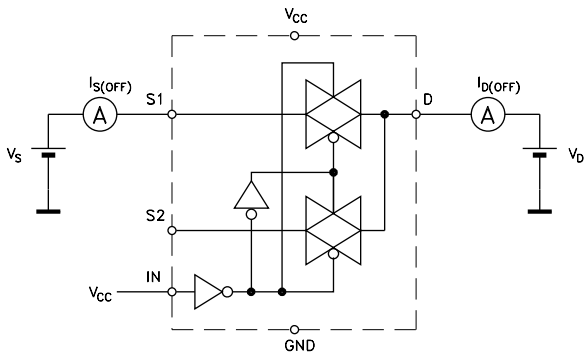
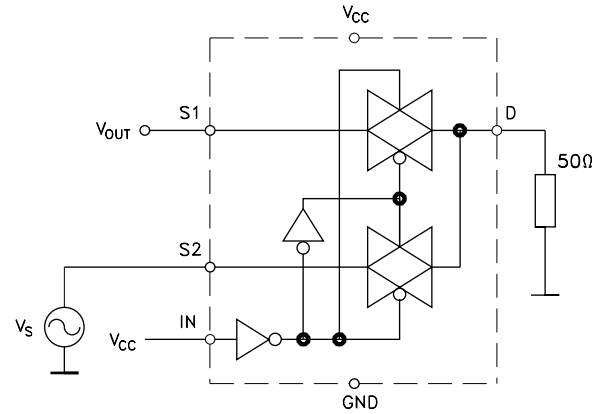
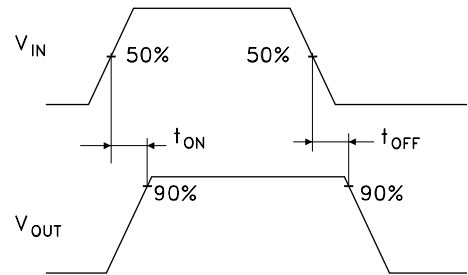
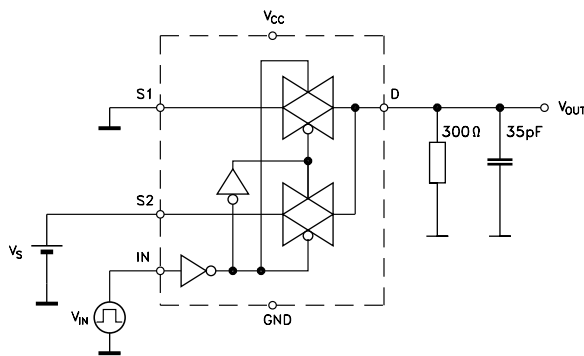
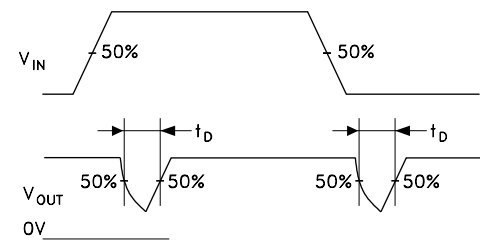
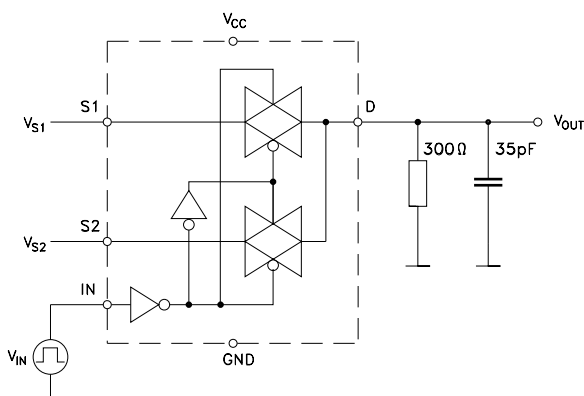
**Table 7. Analog switch characteristics**

Symbol	Parameter	Test conditions		Value	Unit
		V <sub>CC</sub> (V)		Typ.	
f <sub>MAX</sub>	Frequency response (switch ON)	3.3 <sup>(1)</sup>	Bandwidth at -3 dB	200	MHz
		5.0 <sup>(2)</sup>		200	
	Feed through attenuation (switch OFF)	3.3 <sup>(1)</sup>	f <sub>IN</sub> = 10 MHz sine wave	-40	dB
		<sup>(1)</sup>	f = 1 MHz sine wave	-74	
		5.0 <sup>(2)</sup>	f <sub>IN</sub> = 10 MHz sine wave	-40	
		5.0 <sup>(2)</sup>	f <sub>IN</sub> = 1 MHz sine wave	-74	
	Crosstalk (control input to signal output)	3.3 <sup>(1)</sup>	f <sub>IN</sub> = 10 MHz sine wave	-39	dB
		<sup>(1)</sup>	f = 1 MHz sine wave	-52	
		5.0 <sup>(2)</sup>	f <sub>IN</sub> = 10 MHz sine wave	-39	
		5.0 <sup>(2)</sup>	f <sub>IN</sub> = 1 MHz sine wave	-52	

1. Voltage range is 3.3 V ± 0.3 V
2. Voltage range is 5.0 V ± 0.5 V

## 4 Test circuits

**Figure 3. On-resistance**

**Figure 4. Off isolation**

**Figure 5. On leakage**

**Figure 6. Bandwidth**


**Figure 7. Off leakage**

**Figure 8. Channel-to-channel crosstalk**

**Figure 9. Switching times**

**Figure 10. Break before make delay time**




## 5 Package information

In order to meet environmental requirements, ST offers these devices in different grades of **ECOPACK** packages, depending on their level of environmental compliance. ECOPACK specifications, grade definitions and product status are available at: [www.st.com](http://www.st.com). ECOPACK is an ST trademark.

### 5.1 SOT23-6L package information

Figure 11. SOT23-6L package outline

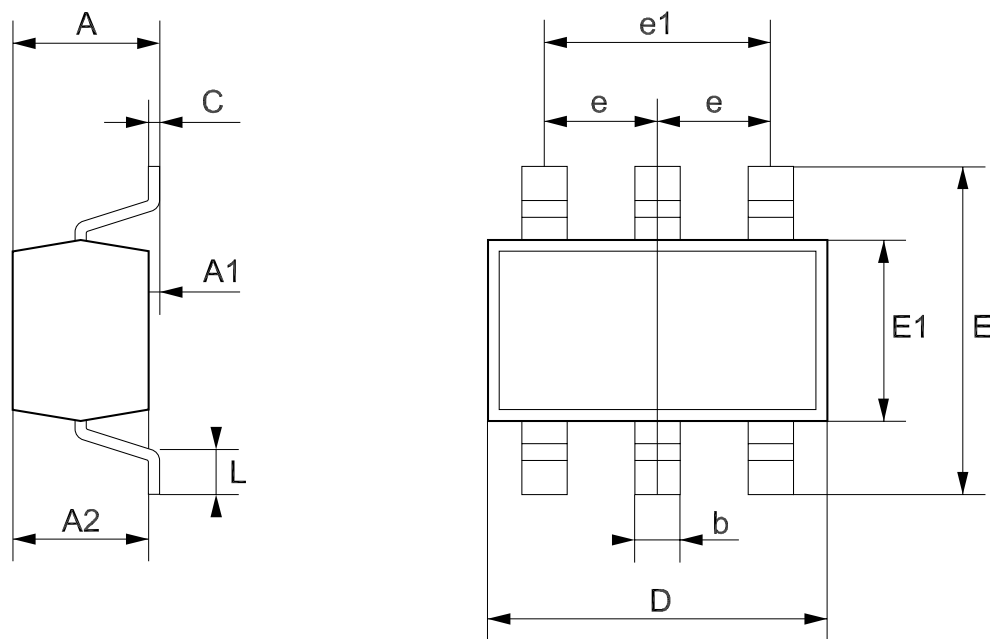
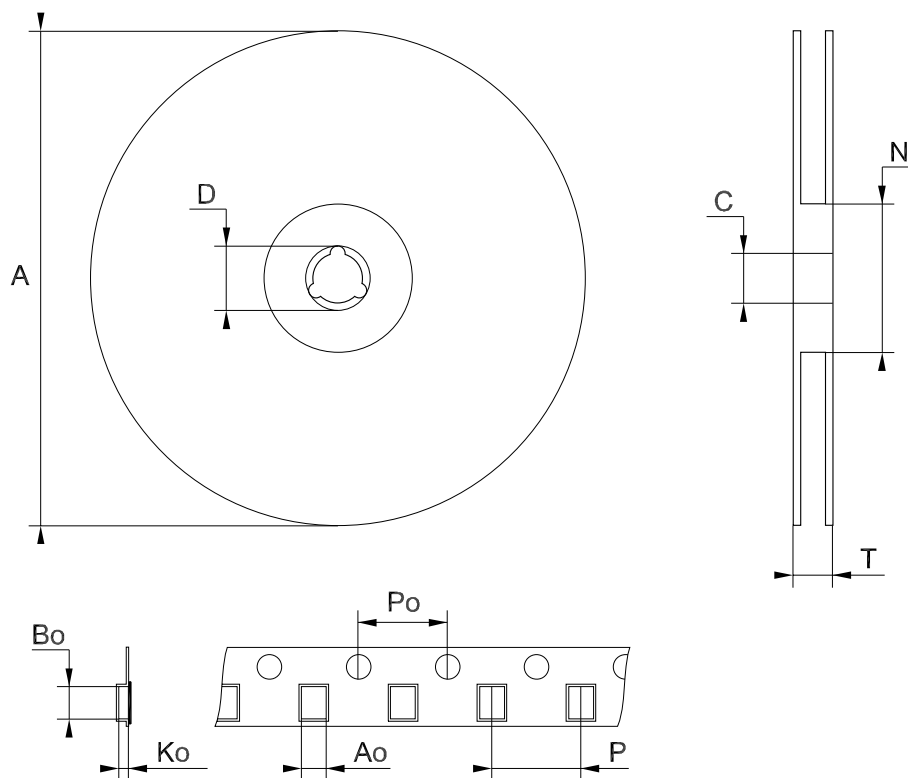


Table 8. SOT23-6L mechanical data

Dim.	mm			mils		
	Min.	Typ.	Max.	Min.	Typ.	Max.
A	0.90		1.45	35.4		57.1
A1	0.00		0.15	0.0		5.9
A2	0.90		1.30	35.4		51.2
b	0.35		0.50	13.7		19.7
C	0.09		0.20	3.5		7.8
D	2.80		3.00	110.2		118.1
E	2.60		3.00	102.3		118.1
E1	1.50		1.75	59.0		68.8
e		0.95			37.4	
e1		1.9			74.8	
L	0.35		0.55	13.7		21.6

## 5.2 SOT23-6L packing information

Figure 12. SOT23-6L tape and reel outline



Note: Drawing not in scale

Table 9. SOT23-6L tape and reel data

Dim.	mm			inch		
	Min.	Typ.	Max.	Min.	Typ.	Max.
A			180			7.086
C	12.8	13.0	13.2	0.504	0.512	0.519
D	20.2			0.795		
N	60			2.362		
T			14.4			0.567
Ao	3.13	3.23	3.33	0.123	0.127	0.131
Bo	3.07	3.17	3.27	0.120	0.124	0.128
Ko	1.27	1.37	1.47	0.050	0.054	0.058
Po	3.9	4.0	4.1	0.153	0.157	0.161
P	3.9	4.0	4.1	0.153	0.157	0.161

## Revision history

**Table 10. Document revision history**

Date	Revision	Changes
25-Nov-2004	8	Mistake on figure 1.
12-Sep-2019	9	Add new test condition $V_{ICH}$ in Table 5. DC specifications.
15-Mar-2021	10	Added new $I_{P-P}$ parameter in Table 3. Absolute maximum ratings.

---

## Contents

<b>1</b>	<b>Pin connection</b> .....	<b>2</b>
<b>2</b>	<b>Maximum ratings</b> .....	<b>4</b>
<b>3</b>	<b>Electrical characteristics</b> .....	<b>6</b>
<b>4</b>	<b>Test circuits</b> .....	<b>7</b>
<b>5</b>	<b>Package information</b> .....	<b>9</b>
<b>5.1</b>	<b>SOT323-6L package information</b> .....	<b>9</b>
<b>5.2</b>	<b>SOT23-6L packing information</b> .....	<b>10</b>
	<b>Revision history</b> .....	<b>11</b>
	<b>Contents</b> .....	<b>12</b>

## List of tables

<b>Table 1.</b>	Pin description . . . . .	2
<b>Table 2.</b>	Truth table . . . . .	3
<b>Table 3.</b>	Absolute maximum ratings . . . . .	4
<b>Table 4.</b>	Recommended operating conditions . . . . .	4
<b>Table 5.</b>	DC specifications . . . . .	5
<b>Table 6.</b>	AC electrical characteristics . . . . .	6
<b>Table 7.</b>	Analog switch characteristics . . . . .	6
<b>Table 8.</b>	SOT23-6L mechanical data . . . . .	9
<b>Table 9.</b>	SOT23-6L tape and reel data . . . . .	10
<b>Table 10.</b>	Document revision history . . . . .	11

## List of figures

<b>Figure 1.</b>	Pin connection and IEC logic symbols . . . . .	2
<b>Figure 2.</b>	Input equivalent circuit . . . . .	2
<b>Figure 3.</b>	On-resistance . . . . .	7
<b>Figure 4.</b>	Off isolation . . . . .	7
<b>Figure 5.</b>	On leakage . . . . .	7
<b>Figure 6.</b>	Bandwidth . . . . .	7
<b>Figure 7.</b>	Off leakage . . . . .	8
<b>Figure 8.</b>	Channel-to-channel crosstalk . . . . .	8
<b>Figure 9.</b>	Switching times . . . . .	8
<b>Figure 10.</b>	Break before make delay time . . . . .	8
<b>Figure 11.</b>	SOT23-6L package outline . . . . .	9
<b>Figure 12.</b>	SOT23-6L tape and reel outline . . . . .	10

**IMPORTANT NOTICE – PLEASE READ CAREFULLY**

STMicroelectronics NV and its subsidiaries (“ST”) reserve the right to make changes, corrections, enhancements, modifications, and improvements to ST products and/or to this document at any time without notice. Purchasers should obtain the latest relevant information on ST products before placing orders. ST products are sold pursuant to ST’s terms and conditions of sale in place at the time of order acknowledgement.

Purchasers are solely responsible for the choice, selection, and use of ST products and ST assumes no liability for application assistance or the design of Purchasers’ products.

No license, express or implied, to any intellectual property right is granted by ST herein.

Resale of ST products with provisions different from the information set forth herein shall void any warranty granted by ST for such product.

ST and the ST logo are trademarks of ST. For additional information about ST trademarks, please refer to [www.st.com/trademarks](http://www.st.com/trademarks). All other product or service names are the property of their respective owners.

Information in this document supersedes and replaces information previously supplied in any prior versions of this document.

© 2021 STMicroelectronics – All rights reserved