

PRODUCT NUMBER  
76383-YXXLF

PLATING

3=0.76µm GOLD/GXT ON CONTACT AREA  
3.81µm TIN-LEAD ON TAIL

4=3.81µm TIN-LEAD ON CONTACT AREA  
AND ON TAIL

WHEN "LF" IS REQUIRED, 2µm MIN  
MATTE TIN OVER 1.27µm MIN NICKEL  
IS PROVIDED INSTEAD OF TIN-LEAD

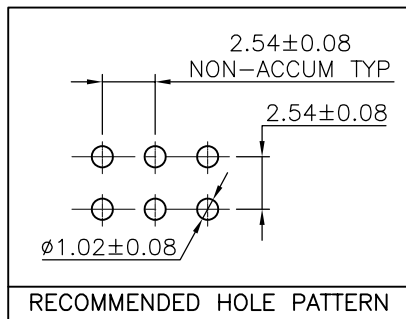
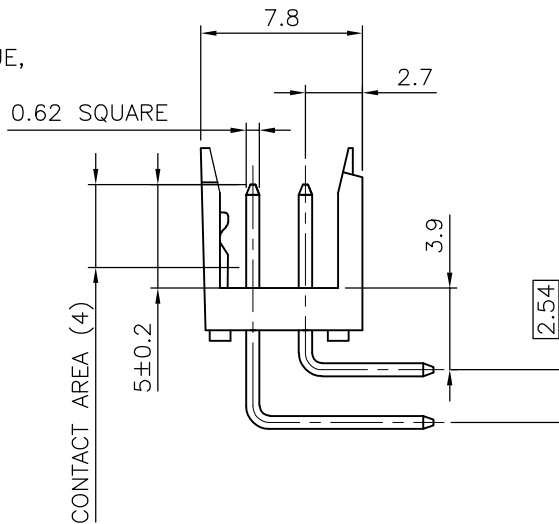
WHEN REQUIRED, ADD SUFFIX LETTER "LF"  
INDICATES THE PRODUCT IS RoHS  
COMPATIBLE, SEE NOTE 7

NUMBER OF POSITIONS PER ROW: 02 TO 36

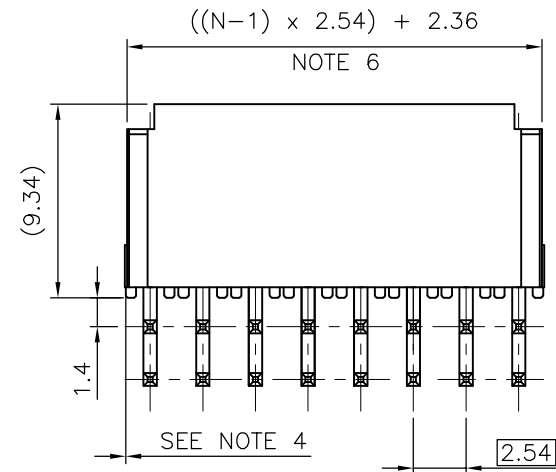
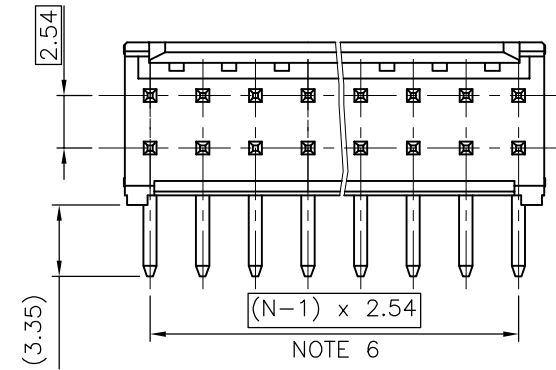
NOTES:

- BODY MATERIAL: POLYESTER 30% GLASSFILLED COLOR BLUE, FLAME RETARDANT PER UL-94 V0.
- CONTACT MATERIAL: PHOSPHOR BRONZE.
- 15N MIN PIN RETENTION IN EITHER DIRECTION
- 0.6 MAX PROTRUSION PERMITTED AT 4 PLACES
- PACKAGING :  
- POLYBAGS FROM 2 x 02 TO 2 x 06 POSITIONS  
- TUBE FROM 2 x 07 TO 2 x 36 POSITIONS
- TO DETERMINE DIMENSIONS :  
N = NUMBER OF POSITIONS PER ROW  
EXAMPLE : 8 POS N x 2.54 = 20.32mm
- RoHS COMPATIBLE PRODUCT SPECIFICATIONS

- PLATING:  
- "LF" MEANS THE PRODUCT IS LEAD-FREE,  
2µm MINIMUM MATTE TIN OVER 1.27µm  
MINIMUM NICKEL UNDERPLATE.
- MANUFACTURING PROCESS COMPATIBILITY  
- THE HOUSING WILL WITHSTAND EXPOSURE TO  
245°C ±5°C SOLDER BATH TEMPERATURE FOR  
5 SECONDS IN A WAVE SOLDER APPLICATION  
WITH A 1.6mm MIN THICK CIRCUIT BOARD.
- LABELING:  
- MEETS PACKAGING SPECS AS PER GS-14-920
- LEGAL STATEMENT: SEE GS-47-0004



TOP VIEW



mat'l. code		surface		tolerance		projection		product family	
SEE NOTE		ISO 1302		ISO 406 ISO 1101		mm		DUBOX	
ltr	ecn no	dr	date	tolerances unless otherwise specified		mm		title	
M	F10-0043	LMU	10.05.03	angles	.X ±0.3	mm		SHR. HEADER	
N	F-21810	AMA	15.06.19	linear	.XX ±0.15	mm		RA DR TMT	
P	F-38327	DDE	20.09.11		.XXX ±0.05	scale 5:1		dwg no	
J	F06-0228	LMU	06.07.11	dr	D.LE 01.01.24	FCJ		sheet 1 of 1	
K	F06-0333	LMU	06.12.06	engr	JM.C 01.01.24	A3		size	
L	F08-0147	YOY	08.04.14	chr	JM.C 01.01.24	76383		type	
				appd	JF.N 01.01.24	CUSTOMER Drawing		sheet	
sheet index	revision sheet								