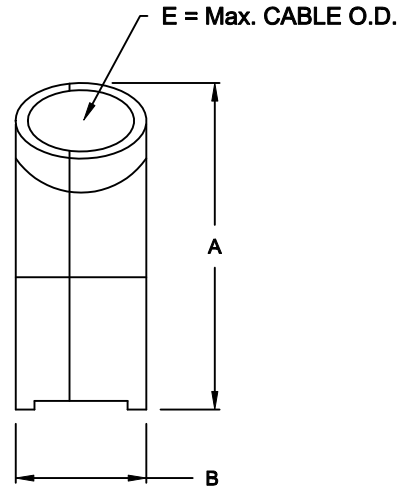
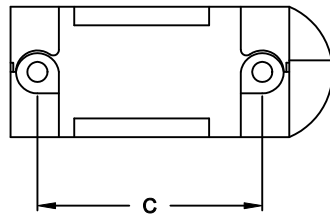
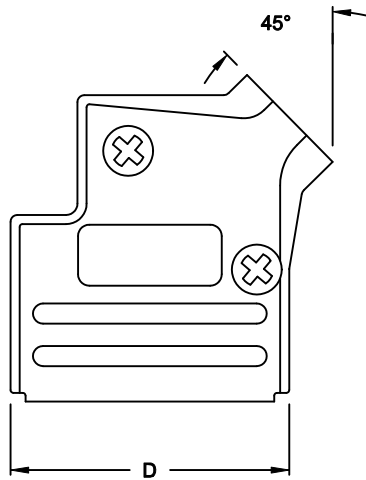


## BACKSHELL KIT INCLUDES:

- (2) BACKSHELL HALVES
- (2) MOUNTING SCREWS
- (1) SET OF COMPRESSION INSERTS - VARIOUS SIZES  
DIAMETER: 4mm (0.157"), 5mm (0.197"), 7mm (0.276"), 9mm (0.354")



DIMENSIONS (mm/in.)					
SIZE:	A $\pm 0.25$ $\pm 0.010$	B $\pm 0.25$ $\pm 0.010$	C $\pm 0.13$ $\pm 0.006$	D $\pm 0.25$ $\pm 0.010$	E
09	36.30	14.50	24.99	30.99	13.00
	1.429	0.571	0.984	1.220	0.512
15	40.30	14.50	33.32	39.50	13.00
	1.587	0.571	0.984	1.220	0.512
25	40.30	14.50	47.04	53.19	13.00
	1.587	0.571	0.984	1.220	0.512
37	40.30	14.50	63.5	69.70	13.00
	1.587	0.571	2.500	2.744	0.512

### ORDERING INFORMATION:

SIZE:	P/N - KITTED:	PRODUCT CODE:
9-WAY	6560-0206-31	MHDVSL-09-K
15-WAY	6560-0206-32	MHDVSL-15-K
25-WAY	6560-0206-33	MHDVSL-25-K
37-WAY	6560-0206-34	MHDVSL-37-K

SIZE:	P/N - BULK:	PRODUCT CODE:
9-WAY	6561-0206-31	MHDVSL-09
15-WAY	6561-0206-32	MHDVSL-15
25-WAY	6561-0206-33	MHDVSL-25
37-WAY	6561-0206-34	MHDVSL-37

### SPECIFICATION:

BACKSHELL MATERIAL: DIE CAST ZINC ALLOY  
NICKEL PLATED  
COMPRESSION INSERT: ABS - UL RECOGNIZED  
HOUSING SCREWS: STEEL - Zn PLATED  
OPERATING TEMP: -40° TO +120°

THESE DRAWINGS AND SPECIFICATIONS ARE THE PROPERTY OF MH CONNECTORS LTD. AND SHALL NOT BE REPRODUCED, COPIED OR USED AS THE BASIS FOR THE MANUFACTURE OR SALE OF APPARATUS WITHOUT WRITTEN PERMISSION.

DRAWN P. JENKINS		DATE 03-14-12	
APPROVED D. CROFT		DATE 03-14-12	
SCALE NTS	SHEET 1	OF 1	REV: A

# RoHS COMPLIANT



## MH CONNECTORS LTD.

DRAWING No  
MHDVSL SERIES