

- > Port size: 3/8" ... 3/4" (ISO G/PTF)
- > Excelon® Plus design allows in-line installation or modular installation with other Excelon® Plus products
- > Flow sensor provides a nearly constant oil/air ratio over a wide range of flows
- > Double safety lock bowl
- > Metal bowl with prismatic liquid level indicator lens
- > Light weight Polycarbonate bowl
- > All round (360°) visibility of sightdome for ease of drip rate setting
- > Choice of two oil delivery systems



Technical features

Medium:

Compressed air only

Maximum supply pressure:

Polycarbonate bowl: 10 bar (145 psi)

Metal bowl: 20 bar (290 psi)

Bowl

0,2 litre

Port size:

G3/8, G1/2, G3/4,

3/8 PTF, 1/2 PTF, 3/4 PTF

Flow:

Micro-fog : 73 dm³/s

Oil-fog: 91 dm³/s at port size: 1/2", operating pressure: 6,3 bar (91 psi) and Δp: 0,5 bar (7.25 psi)

Start point:

0,94 dm³/s

Ambient/Media temperature:

Polycarbonate bowl:

-10 ... +60°C (14 ... +140°F)

Metal bowl:

-20 ... +65°C (-4 ... +149°F)

Air supply must be dry enough to avoid ice formation at temperatures below +2°C (+35°F).

Materials:

Bowl: PC with PP guard

Metal bowl: Die cast aluminium

Body: Die cast aluminium


Body cover: ABS

Sightdome: Transparent PA

Bowl 'o' - ring: Chloroprene

Elastomers: NBR

Technical data L84 - standard models

Symbol	Port size	Lubricator type	Bowl	Weight (kg)	Model
	G3/8	Micro fog	Guarded polycarbonate	0,40	L84M-3GP-EPN
	G1/2	Micro fog	Guarded polycarbonate	0,40	L84M-4GP-EPN
	G3/4	Micro fog	Guarded polycarbonate	0,40	L84M-6GP-EPN
	G3/8	Micro fog	Metal with level indicator	0,53	L84M-3GP-EDN
	G1/2	Micro fog	Metal with level indicator	0,53	L84M-4GP-EDN
	G3/4	Micro fog	Metal with level indicator	0,53	L84M-6GP-EDN
	G3/8	Oil fog	Guarded polycarbonate	0,40	L84C-3GP-EPN
	G1/2	Oil fog	Guarded polycarbonate	0,40	L84C-4GP-EPN
	G3/4	Oil fog	Guarded polycarbonate	0,40	L84C-6GP-EPN
	G3/8	Oil fog	Metal with level indicator	0,53	L84C-3GP-EDN
	G1/2	Oil fog	Metal with level indicator	0,53	L84C-4GP-EDN
	G3/4	Oil fog	Metal with level indicator	0,53	L84C-6GP-EDN

Option selector

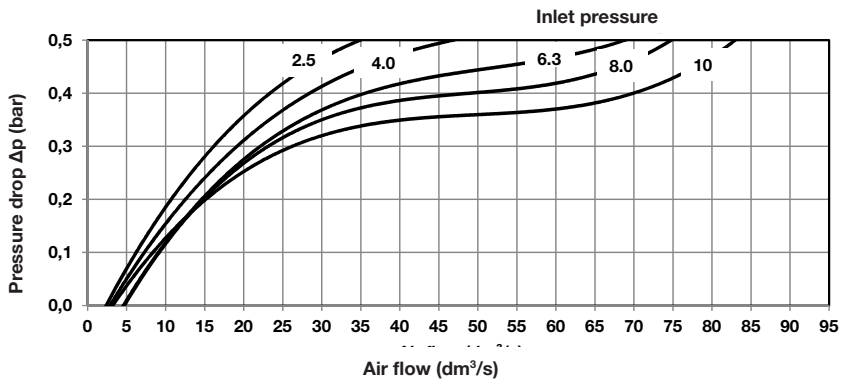
L84★-★★P-E★N

Type	Substitute	Bowl	Substitute
Oil fog lubricator	C	Metal with liquid level indicator	D
Micro fog lubricator	M	Transparent with guard (standard)	P
Port size	Substitute		
3/8"	3		
1/2"	4		
3/4"	6		
Thread form	Substitute		
PTF	A		
ISO G parallel (standard)	G		

Flow characteristics

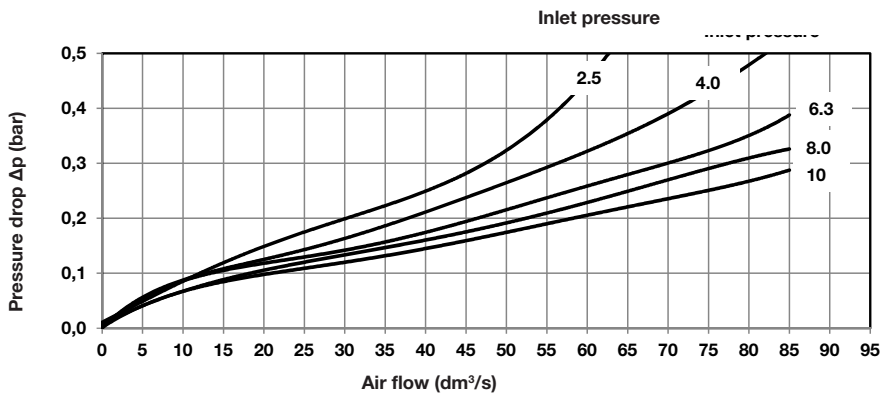
Micro fog

Port size: 1/2"



Oil fog

Port size: 1/2"



Accessories
Wall mounting bracket

Page 5

840024-50KIT

Quikclamp®

Page 5

840014-51KIT

Quikclamp® with bracket assembled

Page 5

840014-52KIT

Pressure sensing block 1/4 PTF

Page 5

840016-50KIT

Pressure sensing block G1/4

Page 5

840016-51KIT

Full flow porting block 3/4 PTF

Page 5

840028-50KIT

Full flow porting block G3/4

Page 5

840028-53KIT

Pressure switch interface block (18D pressure switch)

Page 6

0337717000000000

Pneumatic pressure switch 18D (0,5 ... 8 bar) *1)

Page 6

0881300

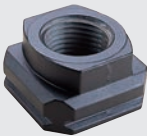
Digital pressure switch 51D (-1 ... 10 bar) *2)

Page 6

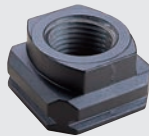
0860810

*1) Flanged version. For other pressure ranges, please see data sheet 5.11.001

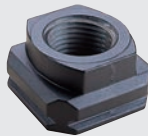
*2) For other pressure ranges, please see data sheet 5.11.385

Port Adaptors 3/8 PTF

Page 6

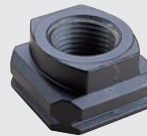
840015-02KIT

Port Adaptors 1/2 PTF

Page 6

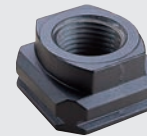
840015-03KIT

Port Adaptors 3/4 PTF

Page 6

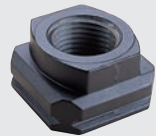
840015-04KIT

Port Adaptors G3/8

Page 6

840015-10KIT

Port Adaptors G1/2

Page 6

840015-11KIT

Port Adaptors G3/4

Page 6

840015-12KIT

Quick fill nipple


18-011-024

Service kits
Lubricator bowl Guarded Poly


840025-52KIT

Lubricator bowl Metal with sight glass


840003-52KIT

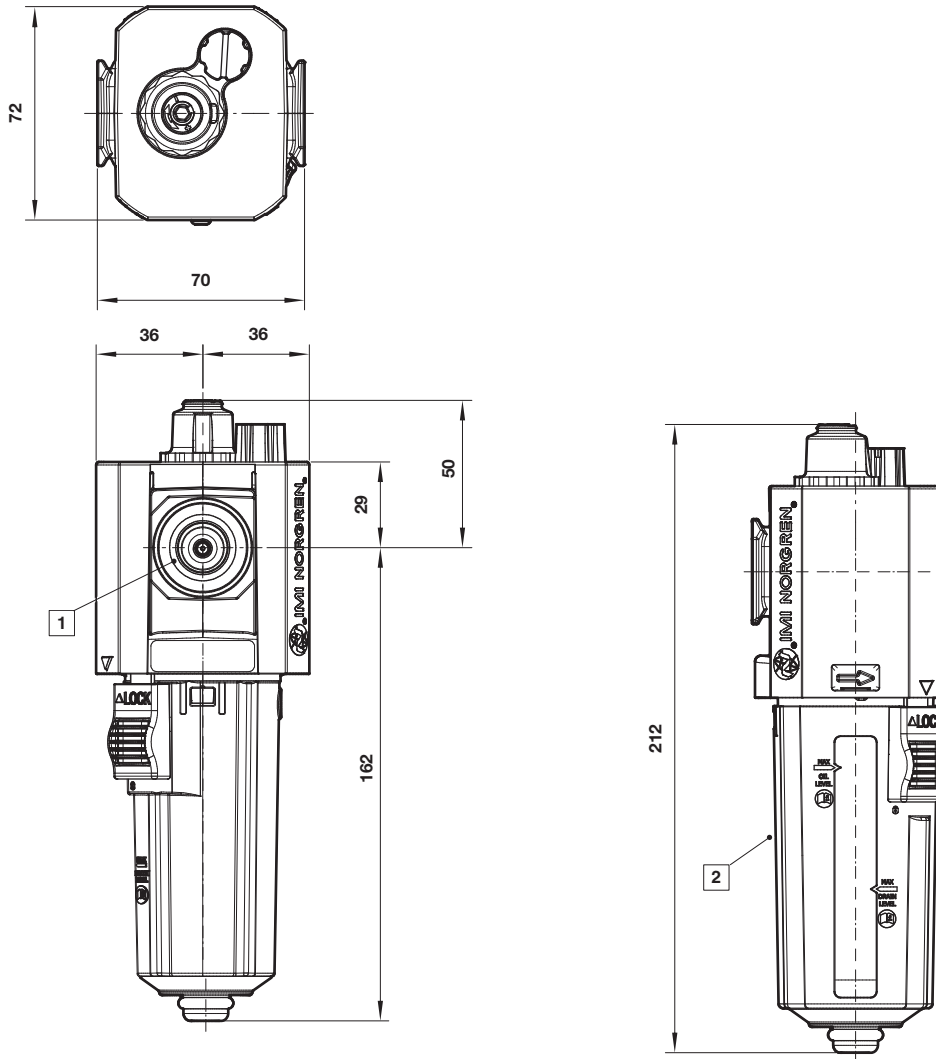
Lubricator sight dome kit


Micro fog (red) 840055-50KIT

Oil fog (green) 840055-51KIT

Dimensions

Dimensions in mm
 Projection/Third angle



Plugged bowl

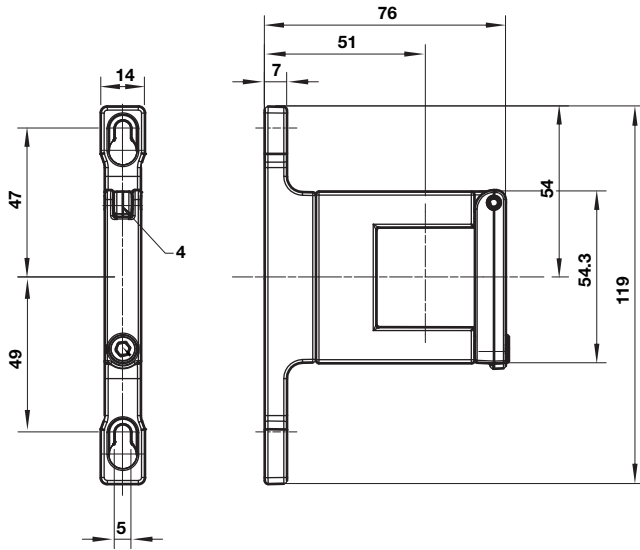
- 1 Main ports 3/8", 1/2" or 3/4"
(ISO G/PTF)
- 2 Transparent bowl with guard

Accessories

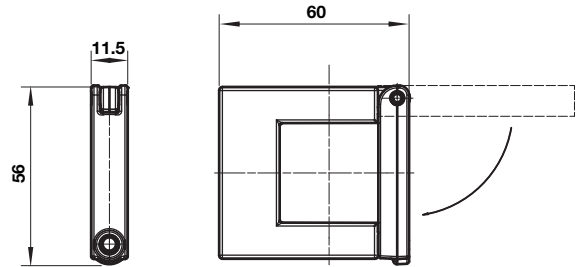
Dimensions in mm
 Projection/Third angle



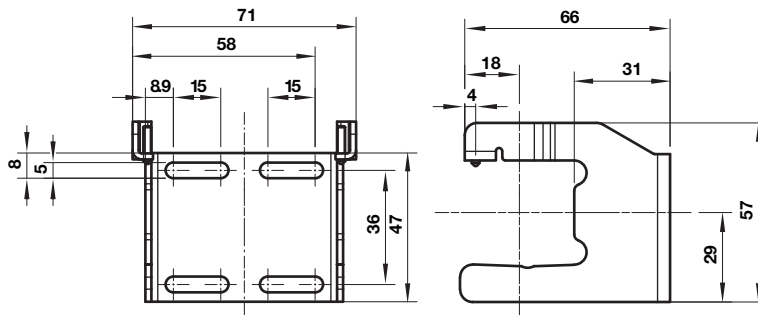
Quikclamp® with wall bracket



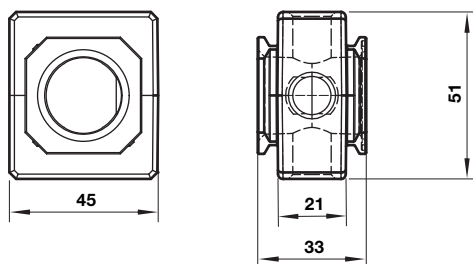
Quikclamp®



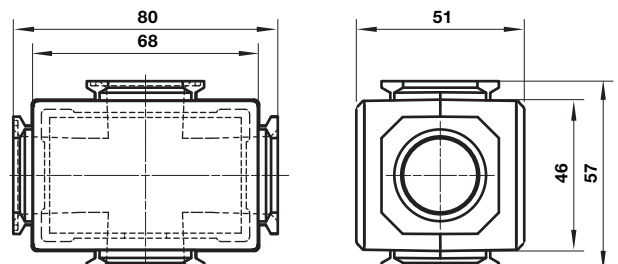
Mounting bracket



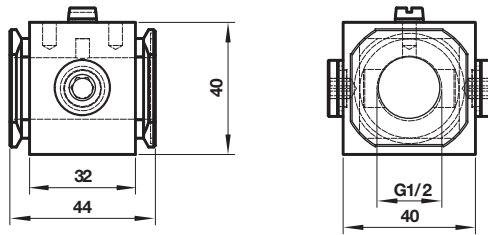
Pressure sensing block



Full flow porting block

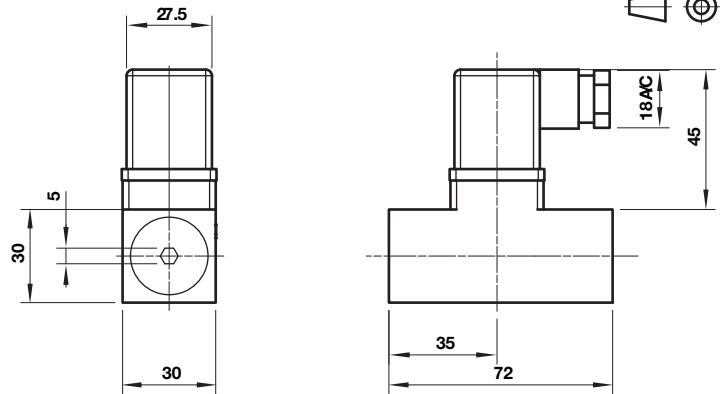


**Porting block for
18D pressure switch**

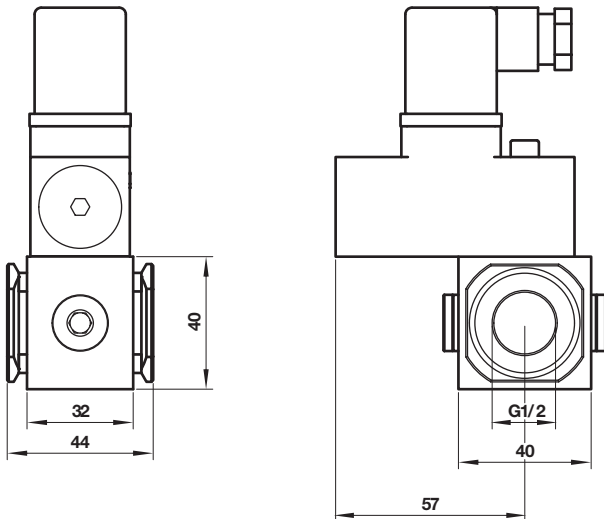


18D Pressure switch

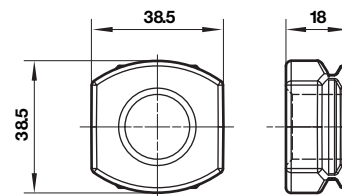
Dimensions in mm
Projection/Third angle



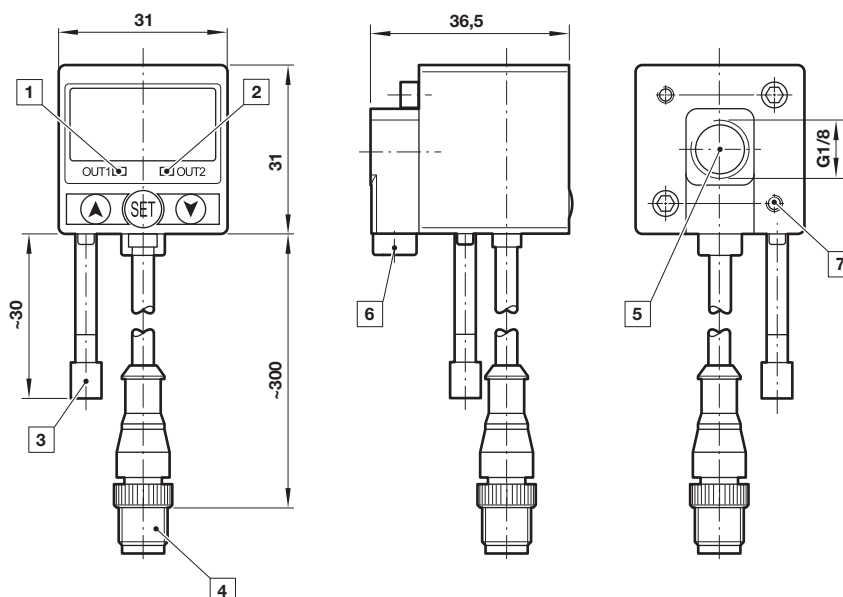
**18D Porting block and
18D assembled**



Pipe adaptor



51D Pressure switch - digital



- 1 Switch OUT 1, green LED
- 2 Switch OUT 2, red LED
- 3 Dustproof protector
- 4 Connector M12 x 1
- 5 Inlet port
- 6 Alternative inlet port G1/8 plugged
- 7 Thread for mounting screw

Warning

These products are intended for use in industrial compressed air systems only. Do not use these products where pressures and temperatures can exceed those listed under »**Technical features/data**«.

Before using these products with fluids other than those specified, for non-industrial applications, life-support systems or other applications not within published specifications, consult IMI Precision Engineering, Norgren Ltd.

Through misuse, age, or malfunction, components used in fluid power systems can fail in various modes. The system designer is warned to consider the failure modes of all component parts used in fluid power systems and to provide adequate safeguards to prevent personal injury or damage to equipment in the event of such failure.

System designers must provide a warning to end users in the system instructional manual if protection against a failure mode cannot be adequately provided.

System designers and end users are cautioned to review specific warnings found in instruction sheets packed and shipped with these products.