

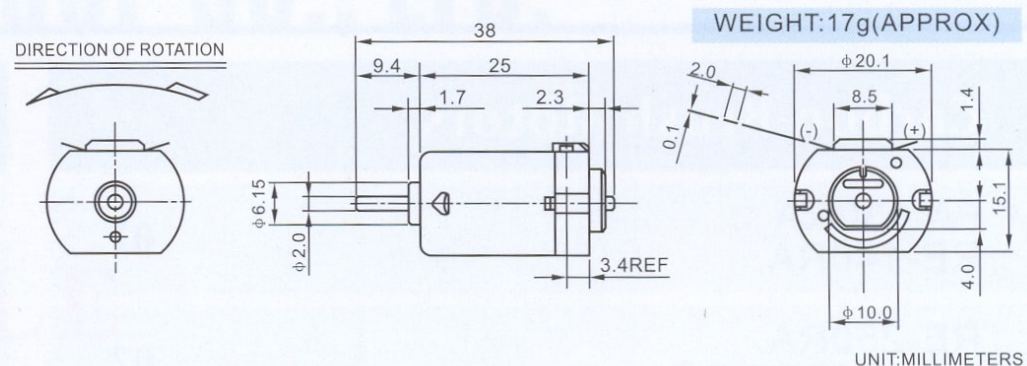
## FA-130RA

OUTPUT: 0.2W-2.5W(APPROX)

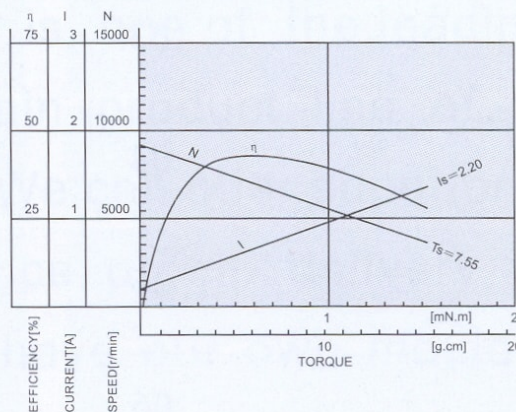
Typical Applications:

**Home Appliances** > Hair Dressing / Beauty Appliance

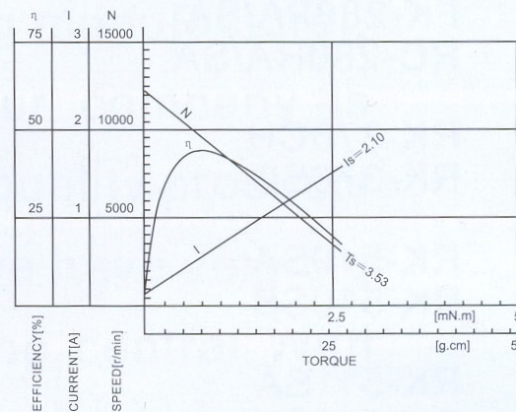
**Toys and Models** > Motorized Toy / Motorized Plastic Model



FA-130RA-2270 1.5V



FA-130RA-18100 3.0V



By clicking the "MODEL"/, You can display the Performance Chart Simulation

MODEL		VOLTAGE		NO LOAD		AT MAXIMUM EFFICIENCY				STALL			
		OPERATING RANGE	NOMINAL	SPEED	CURRENT	SPEED	CURRENT	TORQUE		OUTPUT	TORQUE		CURRENT
			V	r/min	A	r/min	A	mN.m	g.cm	W	mN.m	g.cm	A
FA-130RA	2270	1.5~3.0	1.5	9100	0.20	6990	0.66	0.59	6.0	0.43	2.55	26	2.2
	18100	1.5~3.0	3	12300	0.15	9710	0.56	0.74	7.6	0.76	3.53	36	2.1
	14150	1.5~4.5	3	8300	0.11	6150	0.31	0.55	5.6	0.35	2.11	22	0.9