

# ±0.33°C Accurate, 12-Bit + Sign Temperature Sensor and Thermal Window Comparator With Two-Wire Interface

Check for Samples: [LM92](#)

## FEATURES

- Window Comparison Simplifies Design of ACPI-Compatible Temperature Monitoring and Control
- Serial Bus Interface
- Separate Open-Drain Outputs for Interrupt and Critical Temperature Shutdown
- Shutdown Mode to Minimize Power Consumption
- Up to Four LM92s can be Connected to a Single Bus
- 12-Bit + Sign Output
- Operation up to 150°C

## APPLICATIONS

- HVAC
- Medical Electronics
- Electronic Test Equipment
- System Thermal Management
- Personal Computers
- Office Electronics
- Automotive

## KEY SPECIFICATIONS

- Supply Voltage 2.7V to 5.5V
- Supply Current operating 350  $\mu$ A (typ) 625  $\mu$ A (max) shutdown 5  $\mu$ A (typ)
- Temperature Accuracy
  - 30°C, ±0.33°C (max)
  - 10°C to 50°C, ±0.50°C (max)
  - -10°C to 85°C, ±1.0°C (max)
  - 125°C, ±1.25°C (max)
  - -25°C to 150°C, ±1.5°C (max)
- Linearity ±0.5°C (max)
- Resolution 0.0625°C

## DESCRIPTION

The LM92 is a digital temperature sensor and thermal window comparator with an I<sup>2</sup>C™ Serial Bus interface and an accuracy of ±0.33°C. The window-comparator architecture of the LM92 eases the design of temperature control systems. The open-drain Interrupt (INT) output becomes active whenever temperature goes outside a programmable window, while a separate Critical Temperature Alarm (T\_CRIT\_A) output becomes active when the temperature exceeds a programmable critical limit. The INT output can operate in either a comparator or event mode, while the T\_CRIT\_A output operates in comparator mode only.

The host can program both the upper and lower limits of the window as well as the critical temperature limit. Programmable Hysteresis as well as a fault queue are available to minimize false tripping. Two pins (A0, A1) are available for address selection. The sensor powers up with default thresholds of 2°C T<sub>HYST</sub>, 10°C T<sub>LOW</sub>, 64°C T<sub>HIGH</sub>, and 80°C T<sub>CRIT</sub>.

The LM92's 2.7V to 5.5V supply voltage range, Serial Bus interface, 12-bit + sign output, and full-scale range of over 128°C make it ideal for a wide range of applications. These include thermal management and protection applications in personal computers, electronic test equipment, office electronics, automotive, medical and HVAC applications.

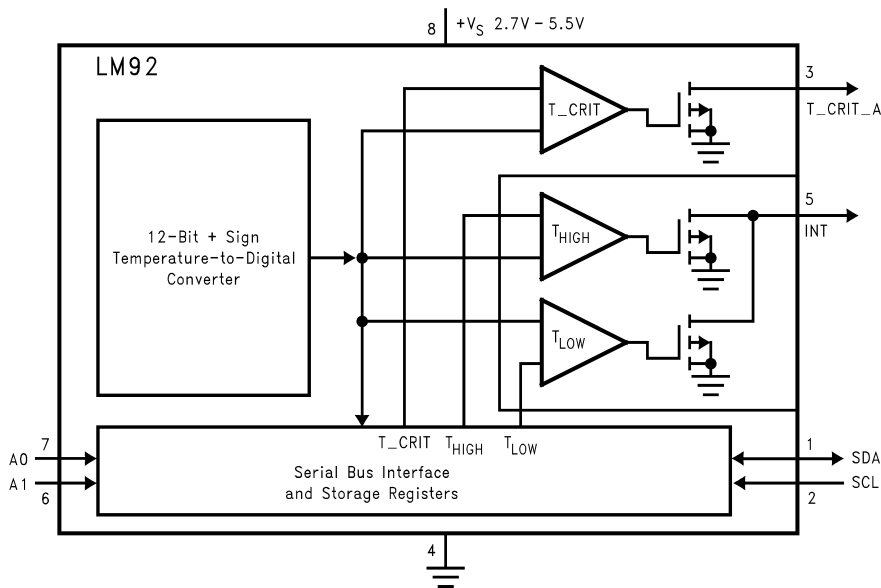


Please be aware that an important notice concerning availability, standard warranty, and use in critical applications of Texas Instruments semiconductor products and disclaimers thereto appears at the end of this data sheet.

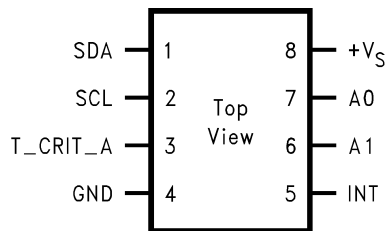
I<sup>2</sup>C is a trademark of dcl\_owner.

All other trademarks are the property of their respective owners.

### Simplified Block Diagram



### Connection Diagram

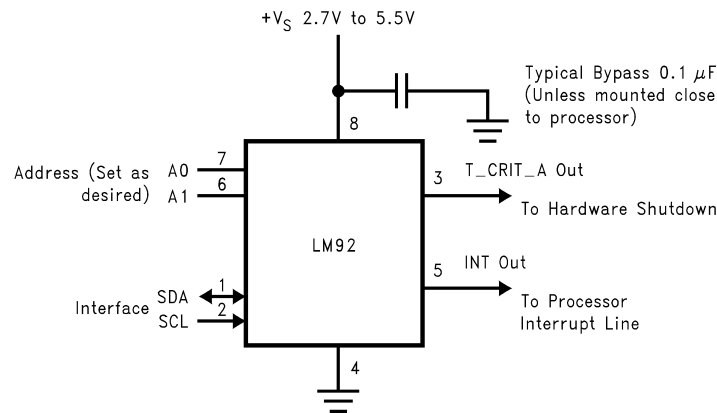


**SOIC**  
See Package Number D (R-PDSO-G8)

### Pin Description

Label	Pin No.	Function	Typical Connection
SDA	1	Serial Bi-Directional Data Line. Open Drain Output	From Controller
SCL	2	Serial Bus Clock Input	From Controller
T_CRIT_A	3	Critical Temperature Alarm Open Drain Output	Pull Up Resistor, Controller Interrupt Line or System Hardware Shutdown
GND	4	Power Supply Ground	Ground
INT	5	Interrupt Open Drain Output	Pull Up Resistor, Controller Interrupt Line
+V <sub>S</sub>	8	Positive Supply Voltage Input	DC Voltage from 2.7V to 5.5V
A0–A1	7,6	User-Set Address Inputs	Ground (Low, “0”) or +V <sub>S</sub> (High, “1”)

## Typical Application



**Figure 1.**



These devices have limited built-in ESD protection. The leads should be shorted together or the device placed in conductive foam during storage or handling to prevent electrostatic damage to the MOS gates.

## Absolute Maximum Ratings <sup>(1)</sup>

Supply Voltage		-0.3 V to 6.5V
Voltage at any Pin		-0.3 V to (+V <sub>S</sub> + 0.3V)
Input Current at any Pin		5 mA
Package Input Current <sup>(2)</sup>		20 mA
T_CRIT_A and INT Output Sink Current		10 mA
T_CRIT_A and INT Output Voltage		6.5V
Storage Temperature		-65°C to +125°C
ESD Susceptibility <sup>(3)</sup>	Human Body Model	2500V
	Machine Model	250V
Soldering process must comply with Reflow Temperature Profile specifications. Refer to <a href="http://www.ti.com/lit/SNOA549">http://www.ti.com/lit/SNOA549</a> . <sup>(4)</sup>		

- (1) Absolute Maximum Ratings indicate limits beyond which damage to the device may occur. DC and AC electrical specifications do not apply when operating the device beyond its rated operating conditions.
- (2) When the input voltage (V<sub>I</sub>) at any pin exceeds the power supplies (V<sub>I</sub> < GND or V<sub>I</sub> > +V<sub>S</sub>) the current at that pin should be limited to 5 mA. The 20 mA maximum package input current rating limits the number of pins that can safely exceed the power supplies with an input current of 5 mA to four.
- (3) Human body model, 100 pF discharged through a 1.5 kΩ resistor. Machine model, 200 pF discharged directly into each pin.
- (4) Reflow temperature profiles are different for lead-free and non-lead-free packages.

## Operating Ratings <sup>(1)</sup> <sup>(2)</sup>

Specified Temperature Range <sup>(3)</sup> , T <sub>MIN</sub> to T <sub>MAX</sub>	-55°C to +150°C
Supply Voltage Range (+V <sub>S</sub> )	+2.7V to +5.5V

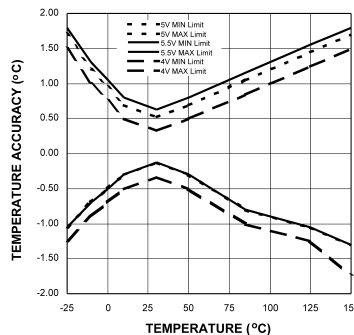
- (1) Absolute Maximum Ratings indicate limits beyond which damage to the device may occur. DC and AC electrical specifications do not apply when operating the device beyond its rated operating conditions.
- (2) LM92 θ<sub>JA</sub> (thermal resistance, junction-to-ambient) when attached to a printed circuit board with 2 oz. foil is 200 °C/W.
- (3) While the LM92 has a full-scale-range in excess of 128°C, prolonged operation at temperatures above 125 °C is not recommended.

## Electrical Characteristics Temperature-to-Digital Converter Characteristics

Unless otherwise noted, these specifications apply for  $+V_S = +2.7V$  to  $+5.5V$  for LM92CIM. **Boldface limits apply for  $T_A = T_J = T_{MIN}$  to  $T_{MAX}$** ; all other limits  $T_A = T_J = +25^\circ C$ , unless otherwise noted.

Parameter	Conditions	Typical <sup>(1)</sup>	Limits <sup>(2)</sup>	Unit (Limit)
Accuracy (This is a summary. For more detailed information please see <sup>(3)</sup> )	$T_A = +30^\circ C$ , $+V_S = 3.3V$ to $4.0V$		<b><math>\pm 0.33</math></b>	$^\circ C$ (max)
	$T_A = 10^\circ C$ or $+50^\circ C$ , $+V_S = 3.3V$ to $4.0V$		<b><math>\pm 0.50</math></b>	
	$T_A = -10^\circ C$ or $+85^\circ C$ , $+V_S = 3.3V$ to $4.0V$		<b><math>\pm 1.00</math></b>	
	$T_A = +125^\circ C$ , $+V_S = 4.0V$		<b><math>\pm 1.25</math></b>	
	$T_A = -25^\circ C$ to $150^\circ C$ , $+V_S = 4.0V$		<b><math>\pm 1.50</math></b>	
Resolution	<sup>(4)</sup>	13 0.0625		Bits $^\circ C$
Linearity <sup>(5)</sup>			<b><math>\pm 0.5</math></b>	$^\circ C$ (max)
Offset Error of Transfer Function <sup>(6)</sup>	$+V_S = 4.0V$			$^\circ C$ (max)
Offset Error of Transfer Function Supply Sensitivity	$2.7V \leq +V_S < 3.6V$			$^\circ C/V$ (max)
	$3.6V \leq +V_S \leq 5.5V$			$^\circ C/V$ (max)
Temperature Conversion Time	<sup>(7)</sup>	500	<b>1000</b>	ms
Quiescent Current	I <sup>2</sup> C Inactive	0.35		mA
	I <sup>2</sup> C Active	0.35	<b>0.625</b>	mA (max)
	Shutdown Mode	5		$\mu A$
T <sub>HYST</sub> Default Temperature		<sup>(8)(9)</sup> 2		$^\circ C$
T <sub>LOW</sub> Default Temperature	<sup>(9)</sup>	10		$^\circ C$
T <sub>HIGH</sub> Default Temperature	<sup>(9)</sup>	64		$^\circ C$
T <sub>C</sub> Default Temperature	<sup>(9)</sup>	80		$^\circ C$

- (1) Typical values are at  $T_A = 25^\circ C$  and represent most likely parametric norm.
- (2) Limits are guaranteed to TI's AOQL (Average Outgoing Quality Level).
- (3) The limits found in [Table 1](#) supersede the limits shown in the Electrical Characteristics Table. The Accuracy specification includes errors due to linearity, offset and gain. The accuracy specification includes effects of self heating with negligible digital output loading. Pull-up resistors should be maximized (10k typical recommended), so that self heating due to digital output loading is negligible.
- (4) Limits at intermediate temperatures can be calculated using a straight line interpolation as shown in [Figure 2](#) and [Figure 3](#).
- (5) Linearity Error is defined as the worse case difference of an actual reading to that of a calculated reading derived from the straight line whose endpoints are measured at  $30^\circ C$  and  $125^\circ C$  for the range of  $30^\circ C$  to  $125^\circ C$  or whose endpoints are measured at  $30^\circ C$  and  $-25^\circ C$  for the range of  $30^\circ C$  to  $-25^\circ C$ .
- (6) Offset Error calibration should be done at  $30^\circ C$ . The residual error of the transfer function is then equivalent to the Accuracy Limit minus the Offset Limit. This does not take into account the power supply sensitivity of the offset error. Nor, does it take into account the error introduced by the calibration system used.
- (7) This specification is provided only to indicate how often temperature data is updated. The LM92 can be read at any time without regard to conversion state (and will yield last conversion result). If a conversion is in process it will be interrupted and restarted after the end of the read.
- (8) 12 bits + sign, two's complement
- (9) Default values set at power up.



**Figure 2. Accuracy vs Temperature with  $+V_S = 5V$**

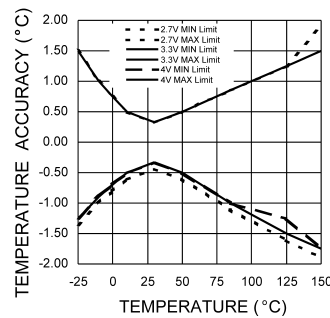


Figure 3. Accuracy vs Temperature with  $+V_S = 3.3V$

Table 1. Temperature Accuracy Parameter Limits

Conditions	$+V_S=2.7V$	$+V_S=3.3V$	$+V_S=4V$	$+V_S=5V$	$+V_S=5.5V$	Unit
$T_A = -25^\circ C$	<b>-1.35/+1.50</b>	<b>-1.25/+1.50</b>	<b>-1.25/+1.50</b>	<b>-1.05/+1.70</b>	<b>-1.05/+1.80</b>	$^\circ C$ (max)
$T_A = -10^\circ C$	<b><math>\pm 1.00</math></b>	<b>-0.90/+1.00</b>	<b>-0.90/+1.00</b>	<b>-0.70/+1.20</b>	<b>-0.70/+1.30</b>	$^\circ C$ (max)
$T_A = 0^\circ C$	<b>-0.80/+0.75</b>	<b>-0.70/+0.75</b>	<b>-0.70/+0.75</b>	<b>-0.50/+0.95</b>	<b>-0.50/+1.05</b>	$^\circ C$ (max)
$T_A = 10^\circ C$	<b>-0.60/+0.50</b>	<b><math>\pm 0.50</math></b>	<b><math>\pm 0.50</math></b>	<b>-0.30/+0.70</b>	<b>-0.30/+0.80</b>	$^\circ C$ (max)
$T_A = 30^\circ C$	<b>-0.43/+0.33</b>	<b><math>\pm 0.33</math></b>	<b><math>\pm 0.33</math></b>	<b>-0.13/+0.53</b>	<b>-0.13/+0.63</b>	$^\circ C$ (max)
$T_A = 50^\circ C$	<b>-0.60/+0.50</b>	<b><math>\pm 0.50</math></b>	<b><math>\pm 0.50</math></b>	<b>-0.30/+0.70</b>	<b>-0.30/+0.80</b>	$^\circ C$ (max)
$T_A = 85^\circ C$	<b>-1.10/+0.85</b>	<b>-1.00/+0.85</b>	<b>-1.00/+0.85</b>	<b>-0.80/+1.05</b>	<b>-0.80/+1.15</b>	$^\circ C$ (max)
$T_A = 125^\circ C$	<b>-1.60/+1.25</b>	<b>-1.50/+1.25</b>	<b><math>\pm 1.25</math></b>	<b>-1.05/+1.45</b>	<b>-1.05/+1.55</b>	$^\circ C$ (max)
$T_A = 150^\circ C$	<b><math>\pm 1.90</math></b>	<b>-1.75/+1.50</b>	<b><math>\pm 1.50</math></b>	<b>-1.30/+1.70</b>	<b>-1.30/+1.80</b>	$^\circ C$ (max)

### Digital DC Characteristics

Unless otherwise noted, these specifications apply for  $+V_S = +2.7V$  to  $+5.5V$  for LM92CIM. **Boldface limits apply for  $T_A = T_J = T_{MIN}$  to  $T_{MAX}$** ; all other limits  $T_A = T_J = +25^\circ C$ , unless otherwise noted.

Symbol	Parameter	Conditions	Typical <sup>(1)</sup>	Limits <sup>(2)</sup>	Unit (Limit)
$V_{IN(1)}$	SDA and SCL Logical "1" Input Voltage			<b><math>+V_S \times 0.7</math></b>	V (min)
				<b><math>+V_S + 0.3</math></b>	V (max)
$V_{IN(0)}$	SDA and SCL Logical "0" Input Voltage			<b>-0.3</b>	V (min)
				<b><math>+V_S \times 0.3</math></b>	V (max)
$V_{IN(HYST)}$	SDA and SCL Digital Input Hysteresis		500	<b>250</b>	mV (min)
$V_{IN(1)}$	A0 and A1 Logical "1" Input Voltage			<b>2.0</b>	V (min)
				<b><math>+V_S + 0.3</math></b>	V (max)
$V_{IN(0)}$	A0 and A1 Logical "0" Input Voltage			<b>-0.3</b>	V (min)
				<b>0.7</b>	V (max)
$I_{IN(1)}$	Logical "1" Input Current	$V_{IN} = +V_S$	0.005	<b>1.0</b>	$\mu A$ (max)
$I_{IN(0)}$	Logical "0" Input Current	$V_{IN} = 0V$	-0.005	<b>-1.0</b>	$\mu A$ (max)
$C_{IN}$	Capacitance of All Digital Inputs		20		pF
$I_{OH}$	High Level Output Current	$V_{OH} = +V_S$		<b>10</b>	$\mu A$ (max)
$V_{OL}$	Low Level Output Voltage	$I_{OL} = 3mA$		<b>0.4</b>	V (max)

(1) Typical values are at  $T_A = 25^\circ C$  and represent most likely parametric norm.

(2) Limits are guaranteed to TI's AOQL (Average Outgoing Quality Level).

## Digital DC Characteristics (continued)

Unless otherwise noted, these specifications apply for  $+V_S = +2.7V$  to  $+5.5V$  for LM92CIM. **Boldface limits apply for  $T_A = T_J = T_{MIN}$  to  $T_{MAX}$** ; all other limits  $T_A = T_J = +25^\circ C$ , unless otherwise noted.

Symbol	Parameter	Conditions	Typical <sup>(1)</sup>	Limits <sup>(2)</sup>	Unit (Limit)
	T_CRIT_A Output Saturation Voltage	$I_{OUT} = 4.0\text{ mA}$ (3)		<b>0.8</b>	V (max)
	T_CRIT_A Delay			<b>1</b>	Conversions (max)
$t_{OF}$	Output Fall Time	$C_L = 400\text{ pF}$ $I_O = 3\text{ mA}$		<b>250</b>	ns (max)

(3) For best accuracy, minimize output loading. 10k pull-ups resistors should be sufficient. Higher sink currents can affect sensor accuracy with internal heating. This can cause an error of  $0.64^\circ C$  at full rated sink current and saturation voltage based on junction-to-ambient thermal resistance.

## Serial Bus Digital Switching Characteristics

Unless otherwise noted, these specifications apply for  $+V_S = +2.7V$  to  $+5.5V$  for LM92CIM. **Boldface limits apply for  $T_A = T_J = T_{MIN}$  to  $T_{MAX}$** ; all other limits  $T_A = T_J = +25^\circ C$ , unless otherwise noted. CL (load capacitance) on output lines = 80 pF unless otherwise specified. Boldface limits apply for  $T_A = T_J = T_{MIN}$  to  $T_{MAX}$ ; all other limits  $T_A = T_J = +25^\circ C$ , unless otherwise noted.

Symbol	Parameter	Conditions	Typical <sup>(1)</sup>	Limits <sup>(2) (3)</sup>	Unit (Limit)
$t_1$	SCL (Clock) Period			<b>2.5</b>	$\mu s$ (min)
				<b>1</b>	ms(max)
$t_2$	Data in Set-Up Time to SCL High			<b>100</b>	ns(min)
$t_3$	Data Out Stable after SCL Low			<b>0</b>	ns(min)
$t_4$	SDA Low Set-Up Time to SCL Low (Start Condition)			<b>100</b>	ns(min)
$t_5$	SDA High Hold Time after SCL High (Stop Condition)			<b>100</b>	ns(min)
$t_{TIMEOUT}$	SDA and SCL Time Low for Reset of Serial Interface <sup>(4)</sup>			<b>75</b>	ms (min)
				<b>300</b>	ms (max)

- (1) Typical values are at  $T_A = 25^\circ C$  and represent most likely parametric norm.
- (2) Limits are guaranteed to TI's AOQL (Average Outgoing Quality Level).
- (3) Timing specifications are tested at the bus input logic levels ( $V_{in(0)} = 0.3xV_A$  for a falling edge and  $V_{in(1)} = 0.7xV_A$  for a rising edge) when the SCL and SDA edge rates are similar.
- (4) Holding the SDA and/or SCL lines Low for a time interval greater than  $t_{TIMEOUT}$  will cause the LM92 to reset SCL and SDA to the IDLE state of the serial bus communication (SDA and SCL set High).

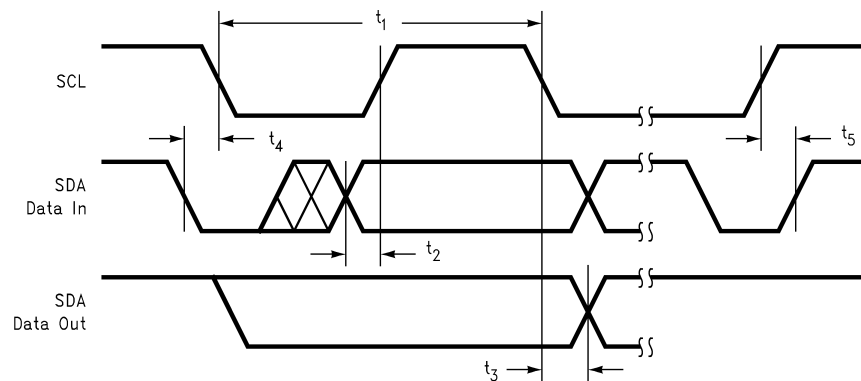


Figure 4. Serial Bus Communication

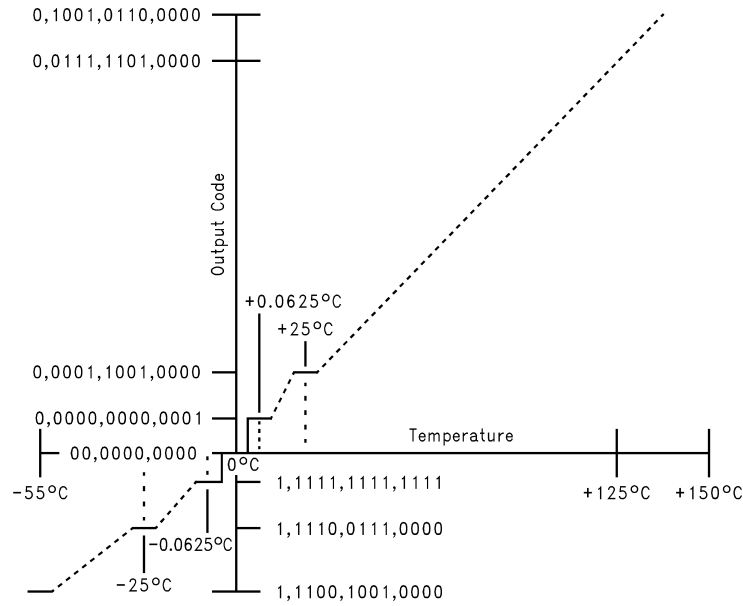


Figure 5. Temperature-to-Digital Transfer Function (Non-linear scale for clarity)

## FUNCTIONAL DESCRIPTION

The LM92 temperature sensor incorporates a band-gap type temperature sensor, 13-bit ADC, and a digital comparator with user-programmable upper and lower limit values. The comparator activates either the INT line for temperatures outside the  $T_{LOW}$  and  $T_{HIGH}$  window, or the  $T_{CRIT\_A}$  line for temperatures which exceed  $T_{CRIT}$ . The lines are programmable for mode and polarity.

### TEMPERATURE COMPARISON

LM92 provides a window comparison against a lower ( $T_{LOW}$ ) and upper ( $T_{HIGH}$ ) trip point. A second upper trip point ( $T_{CRIT}$ ) functions as a critical alarm shutdown. [Figure 7](#) depicts the comparison function as well as the modes of operation.

#### Status Bits

The internal Status bits operate as follows:

**“True”:** Temperature above a  $T_{HIGH}$  or  $T_{CRIT}$  is “true” for those respective bits. A “true” for  $T_{LOW}$  is temperature below  $T_{LOW}$ .

**“False”:** Assuming temperature has previously crossed above  $T_{HIGH}$  or  $T_{CRIT}$ , then the temperature must drop below the points corresponding  $T_{HYST}$  ( $T_{HIGH} - T_{HYST}$  or  $T_{CRIT} - T_{HYST}$ ) in order for the condition to be false. For  $T_{LOW}$ , assuming temperature has previously crossed below  $T_{LOW}$ , a “false” occurs when temperature goes above  $T_{LOW} + T_{HYST}$ .

The Status bits are not affected by reads or any other actions, and always represent the state of temperature vs. setpoints.

#### Hardwire Outputs

The  $T_{CRIT\_A}$  hardwire output mirrors the  $T_{CRIT\_A}$  flag, when the flag is true, the  $T_{CRIT\_A}$  output is asserted at all times regardless of mode. Reading the LM92 has no effect on the  $T_{CRIT\_A}$  output, although the internal conversion is restarted.

The behavior of the INT hardwire output is as follows:

**Comparator Interrupt Mode (Default):** User reading part resets output until next measurement completes. If condition is still true, output is set again at end of next conversion cycle. For example, if a user never reads the part, and temperature goes below  $T_{LOW}$  then INT becomes active. It would stay that way until temperature goes above  $T_{LOW} + T_{HYST}$ . However if the user reads the part, the output would be reset. At the end of the next conversion cycle, if the condition is true, it is set again. If not, it remains reset.

**Event Interrupt Mode:** User reading part resets output until next condition “event” occurs (in other words, output is only set once for a true condition, if reset by a read, it remains reset until the next triggering threshold has been crossed). Conversely, if a user never read the part, the output would stay set indefinitely after the first event that set the output. An “event” for Event Interrupt Mode is defined as:

1. Transitioning upward across a setpoint, or
2. Transitioning downward across a setpoint's corresponding hysteresis (after having exceeded that setpoint).

For example, if a user never read the part, and temperature went below  $T_{LOW}$  then INT would become active. It would stay that way forever if a user never read the part.

However if the user read the part, the output would be reset. Even if the condition is true, it will remain reset. The temperature must cross above  $T_{LOW} + T_{HYST}$  to set the output again.

In either mode, reading any register in the LM92 restarts the conversion. This allows a designer to know exactly when the LM92 begins a comparison. This prevents unnecessary Interrupts just after reprogramming setpoints. Typically, system Interrupt inputs are masked prior to reprogramming trip points. By doing a read just after resetting trip points, but prior to unmasking, unexpected Interrupts are prevented.

Avoid programming setpoints so close that their hysteresis values overlap. An example would be that with a  $T_{HYST}$  value of 2 °C then setting  $T_{HIGH}$  and  $T_{LOW}$  to within 4 °C of each other will violate this restriction. To be more specific, with  $T_{HYST}$  set to 2 °C assume  $T_{HIGH}$  set to 64 °C. If  $T_{LOW}$  is set equal to, or higher than 60 °C this restriction is violated.



## DEFAULT SETTINGS

The LM92 always powers up in a known state. LM92 power up default conditions are:

1. Comparator Interrupt Mode
2.  $T_{LOW}$  set to 10 °C
3.  $T_{HIGH}$  set to 64 °C
4.  $T_{CRIT}$  set to 80 °C
5.  $T_{HYST}$  set to 2 °C
6. INT and  $T_{CRIT\_A}$  active low
7. Pointer set to "00"; Temperature Register

The LM92 registers will always reset to these default values when the power supply voltage is brought up from zero volts as the supply crosses the voltage level plotted in the following curve. The LM92 registers will reset again when the power supply drops below the voltage plotted in this curve.

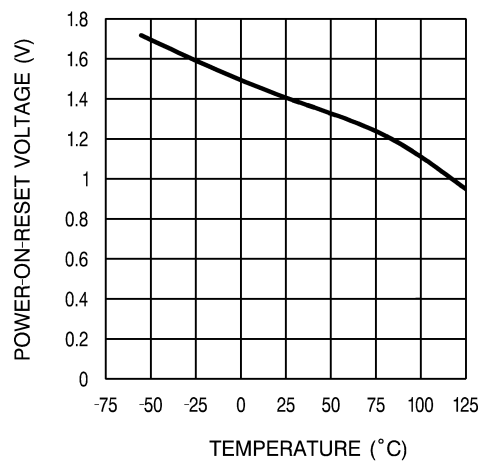


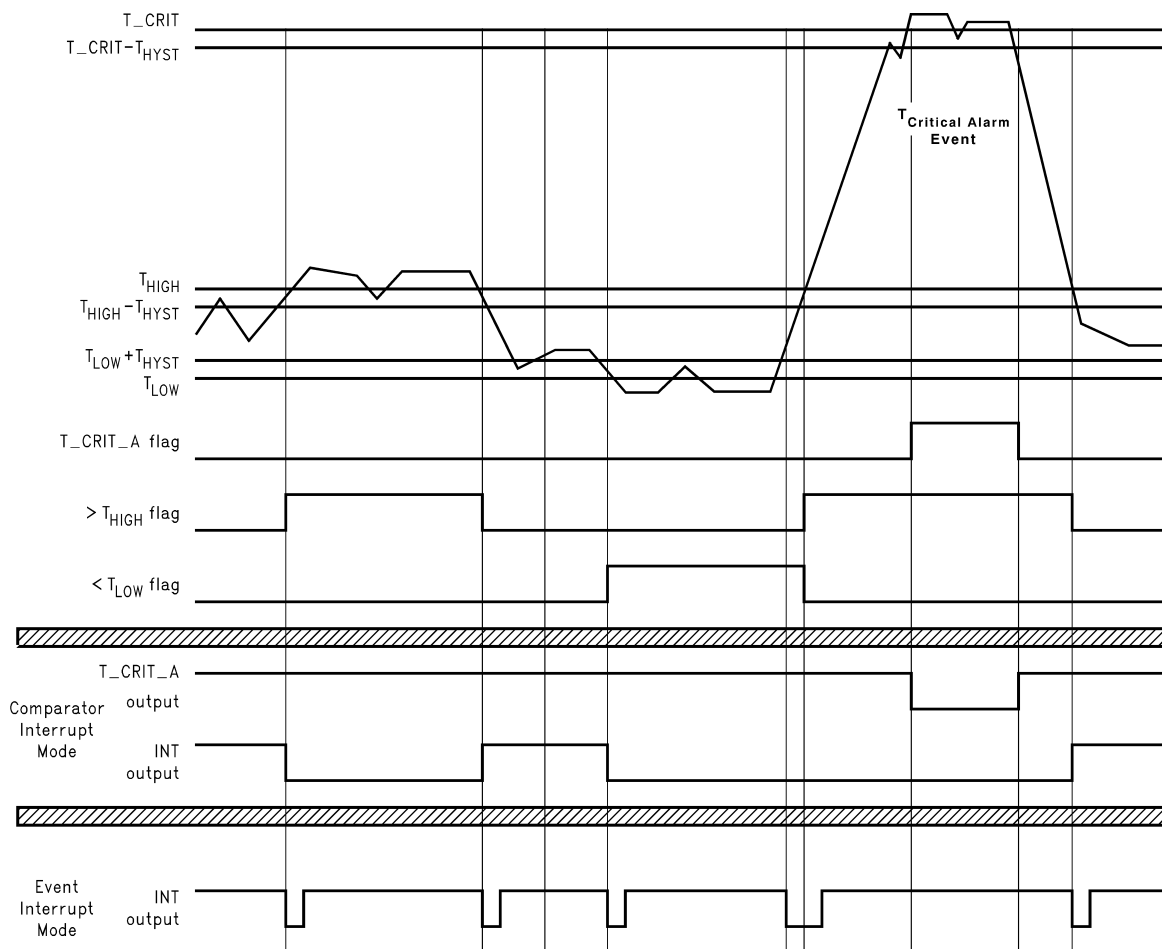
Figure 6. Average Power on Reset Voltage vs Temperature

## SERIAL BUS INTERFACE

The LM92 operates as a slave on the Serial Bus, so the SCL line is an input (no clock is generated by the LM92) and the SDA line is a bi-directional serial data line. According to Serial Bus specifications, the LM92 has a 7-bit slave address. The five most significant bits of the slave address are hard wired inside the LM92 and are "10010". The two least significant bits of the address are assigned to pins A1–A0, and are set by connecting these pins to ground for a low, (0); or to  $+V_S$  for a high, (1).

Therefore, the complete slave address is:

1	0	0	1	0	A1	A0
MSB						LSB



**Note:** Event Interrupt mode is drawn as if the user is reading the part. If the user doesn't read, the outputs would go low and stay that way until the LM92 is read. Comparator Interrupt Mode is drawn as if the user never reads the part. If the user does read, the outputs will go high once read instruction is executed and, if the fault condition still exists, go low at the end of the next conversion.

**Figure 7. Temperature Response Diagram**

## TEMPERATURE DATA FORMAT

Temperature data can be read from the Temperature and Set Point registers; and written to the Set Point registers. Temperature data can be read at any time, although reading faster than the conversion time of the LM92 will prevent data from being updated. Temperature data is represented by a 13-bit, two's complement word with an LSB (Least Significant Bit) equal to 0.0625 °C:

**Table 2. Temperature Data Output**

Temperature	Digital Output	
	Binary	Hex
+130 °C	0 1000 0 010 0000	08 20h
+125 °C	0 0111 1101 0000	07 D0h
+80 °C	0 0101 0000 0000	05 00h
+64 °C	0 0100 0000 0000	04 00h
+25 °C	0 0001 1001 0000	01 90h
+10 °C	0 0000 1010 0000	00 A0h
+2 °C	0 0000 0010 0000	00 20h

**Table 2. Temperature Data Output (continued)**

Temperature	Digital Output	
	Binary	Hex
+0.0625 °C	0 0000 0000 0001	00 01h
0 °C	00 0000 0000	00 00h
-0.0625 °C	1 1111 1111 1111	1F FFh
-25 °C	1 1110 0111 0000	1E 70h
-55 °C	1 1100 1001 0000	1C 90h

## SHUTDOWN MODE

Shutdown mode is enabled by setting the shutdown bit in the Configuration register via the Serial Bus. Shutdown mode reduces power supply current to 5  $\mu$ A typical. T\_CRIT\_A is reset if previously set. Since conversions are stopped during shutdown, T\_CRIT\_A and INT will not be operational. The Serial Bus interface remains active. Activity on the clock and data lines of the Serial Bus may slightly increase shutdown mode quiescent current. Registers can be read from and written to in shutdown mode. The LM92 takes milliseconds to respond to the shutdown command.

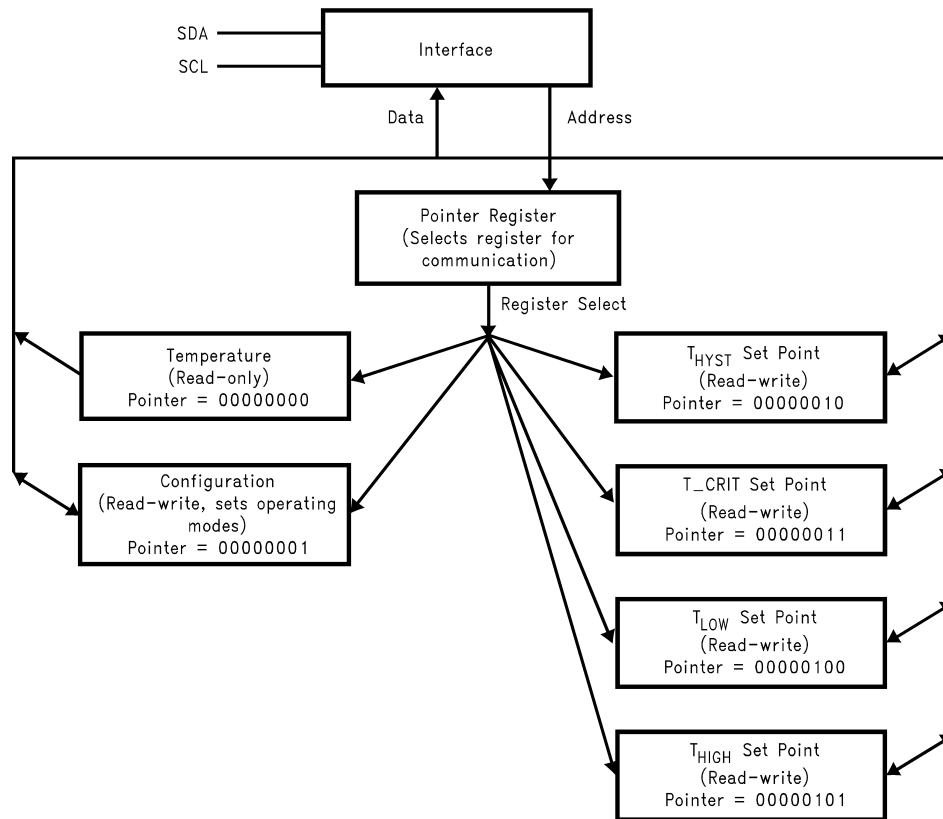
## INT AND T\_CRIT\_A OUTPUT

The INT and T\_CRIT\_A outputs are open-drain outputs and do not have internal pull-ups. A "high" level will not be observed on these pins until pull-up current is provided from some external source, typically a pull-up resistor. Choice of resistor value depends on many system factors but, in general, the pull-up resistor should be as large as possible. This will minimize any errors due to internal heating of the LM92. The maximum resistance of the pull up, based on LM92 specification for High Level Output Current, to provide a 2 volt high level, is 30K ohms.

## FAULT QUEUE

A fault queue of 4 faults is provided to prevent false tripping when the LM92 is used in noisy environments. The 4 faults must occur consecutively to set flags as well as INT and T\_CRIT\_A outputs. The fault queue is enabled by setting bit 4 of the Configuration Register high (see [CONFIGURATION REGISTER](#) ).

## INTERNAL REGISTER STRUCTURE



**Figure 8.**

There are four data registers in the LM92, selected by the Pointer register. At power-up the Pointer is set to “00”; the location for the Temperature Register. The Pointer register latches the last location it was set to. In Interrupt Mode, a read from the LM92 resets the INT output. Placing the device in Shutdown mode resets the INT and T\_CRIT\_A outputs. All registers are read and write, except the Temperature register which is read only.

A write to the LM92 will always include the address byte and the Pointer byte. A write to the Configuration register requires one data byte, while the T<sub>LOW</sub>, T<sub>HIGH</sub>, and T<sub>CRIT</sub> registers require two data bytes.

Reading the LM92 can take place either of two ways: If the location latched in the Pointer is correct (most of the time it is expected that the Pointer will point to the Temperature register because it will be the data most frequently read from the LM92), then the read can simply consist of an address byte, followed by retrieving the corresponding number of data bytes. If the Pointer needs to be set, then an address byte, pointer byte, repeat start, and another address byte plus required number of data bytes will accomplish a read.

The first data byte is the most significant byte with most significant bit first, permitting only as much data as necessary to be read to determine the temperature condition. For instance, if the first four bits of the temperature data indicates a critical condition, the host processor could immediately take action to remedy the excessive temperature. At the end of a read, the LM92 can accept either Acknowledge or No Acknowledge from the Master (No Acknowledge is typically used as a signal for the slave that the Master has read its last byte).

An inadvertent 8-bit read from a 16-bit register, with the D7 bit low, can cause the LM92 to stop in a state where the SDA line is held low as shown in [Figure 9](#). This can prevent any further bus communication until at least 9 additional clock cycles have occurred. Alternatively, the master can issue clock cycles until SDA goes high, at which time issuing a “Stop” condition will reset the LM92.

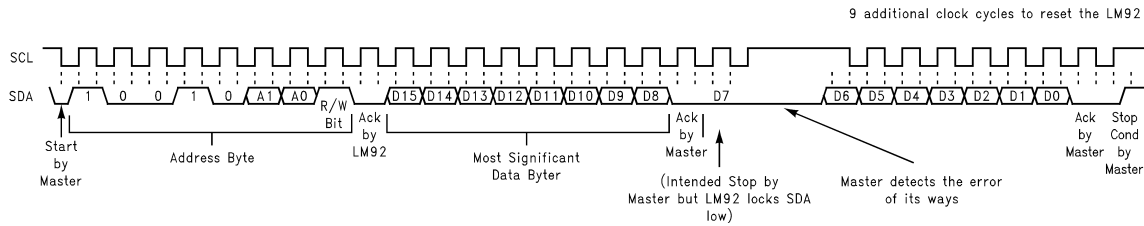


Figure 9. Inadvertent 8-Bit Read from 16-Bit Register where D7 is Zero (“0”)

**POINTER REGISTER**

(Selects which registers will be read from or written to):

P7	P6	P5	P4	P3	P2	P1	P0
0	0	0	0	0	Register Select		

P0–P2: Register Select:

P2	P1	P0	Register
0	0	0	Temperature (Read only) (Power-up default)
0	0	1	Configuration (Read/Write)
0	1	0	T <sub>HYST</sub> (Read/Write)
0	1	1	T <sub>CRIT</sub> (Read/Write)
1	0	0	T <sub>LOW</sub> (Read/Write)
1	0	1	T <sub>HIGH</sub> (Read/Write)
1	1	1	Manufacturer's ID

P3–P7: Must be kept zero.

**TEMPERATURE REGISTER**

Table 3. (Read Only):

D15	D14	D13	D12	D11	D10	D9	D8	D7	D6	D5	D4	D3	D2	D1	D0
Sign	MSB	Bit 10	Bit 9	Bit 8	Bit 7	Bit 6	Bit 5	Bit 4	Bit 3	Bit 2	Bit 1	Bit 0	CRIT	HIGH	LOW
												Status Bits			

D0–D2: Status Bits

D3–D15: Temperature Data. One LSB = 0.0625°C. Two's complement format.

**CONFIGURATION REGISTER**

Table 4. (Read/Write):

D7	D6	D5	D4	D3	D2	D1	D0
0	0	0	Fault Queue	INT Polarity	T <sub>CRIT_A</sub> Polarity	INT Mode	Shutdown

D0: Shutdown - When set to 1 the LM92 goes to low power shutdown mode. Power up default of “0”.

D1: Interrupt mode - 0 is Comparator Interrupt mode, 1 is Event Interrupt mode. Power up default of “0”.

D2, D3: T<sub>CRIT\_A</sub> and INT Polarity - 0 is active low, 1 is active high. Outputs are open-drain. Power up default of “0”

D4: Fault Queue - When set to 1 the Fault Queue is enabled, see [FAULT QUEUE](#). Power up default of “0”.

D5–D7: These bits are used for production testing and must be kept zero for normal operation.

**T<sub>HYST</sub>, T<sub>LOW</sub>, T<sub>HIGH</sub> AND T\_CRIT\_A REGISTERS**
**Table 5. (Read/Write):**

D15	D14	D13	D12	D11	D10	D9	D8	D7	D6	D5	D4	D3	D2	D1	D0
Sign	MSB	Bit 10	Bit 9	Bit 8	Bit 7	Bit 6	Bit 5	Bit 4	Bit 3	Bit 2	Bit 1	Bit 0	X	X	X

D0–D2: Undefined

D3–D15: T<sub>HYST</sub>, T<sub>LOW</sub>, T<sub>HIGH</sub> or T\_CRIT Trip Temperature Data. Power up default is T<sub>LOW</sub> = 10°C, T<sub>HIGH</sub> = 64°C, T\_CRIT = 80°C, T<sub>HYST</sub> = 2°C.

T<sub>HYST</sub> is subtracted from T<sub>HIGH</sub>, and T\_CRIT, and added to T<sub>LOW</sub>.

Avoid programming setpoints so close that their hysteresis values overlap. See [TEMPERATURE COMPARISON](#).

**Manufacturer's Identification Register**
**Table 6. (Read only):**

D15	D14	D13	D12	D11	D10	D9	D8	D7	D6	D5	D4	D3	D2	D1	D0
1	0	0	0	0	0	0	0	0	0	0	0	0	0	0	1

D0–D15: Manufactures ID.

I<sup>2</sup>C TIMING DIAGRAMS

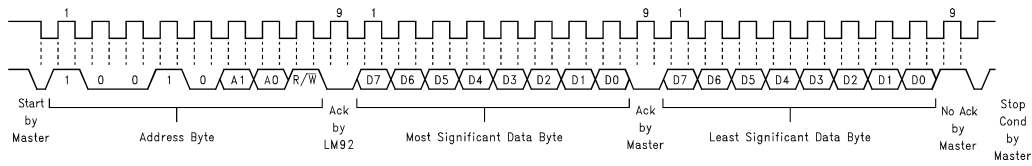


Figure 10. Typical 2-Byte Read From Preset Pointer Location Such as Temp or Comparison Registers

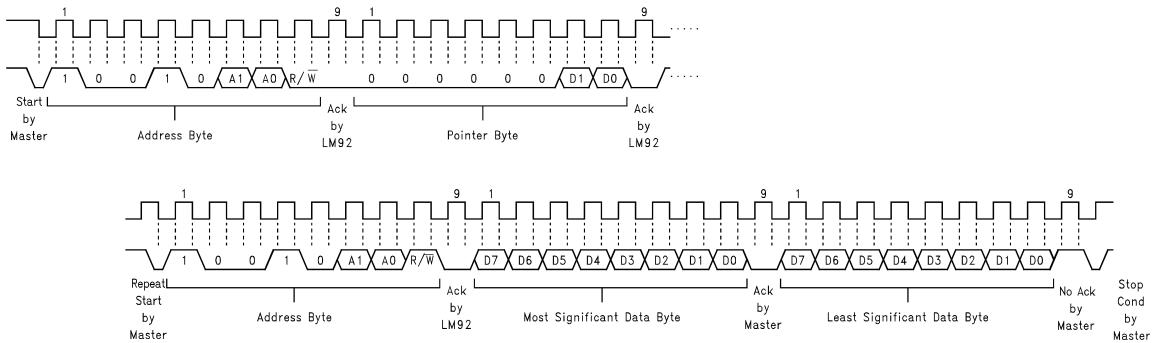


Figure 11. Typical Pointer Set Followed by Immediate Read for 2-Byte Register such as Temp or Comparison Registers

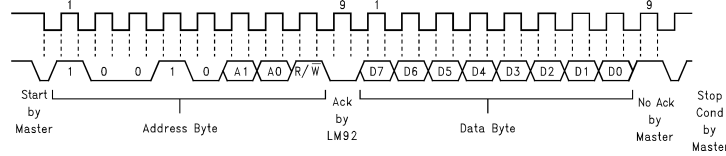


Figure 12. Typical 1-Byte Read from Configuration Register with Preset Pointer

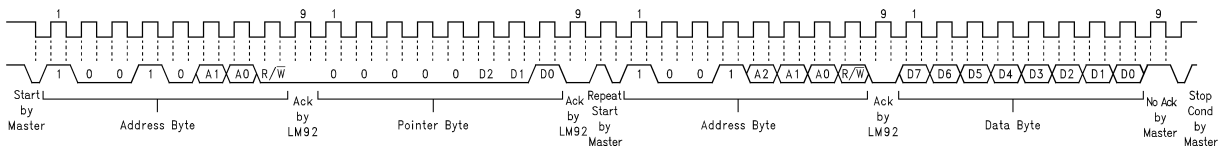


Figure 13. Typical Pointer Set Followed by Immediate Read from Configuration Register

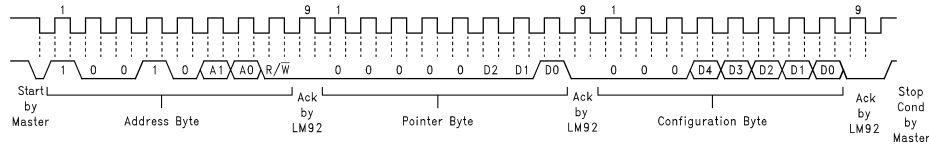


Figure 14. Configuration Register Write

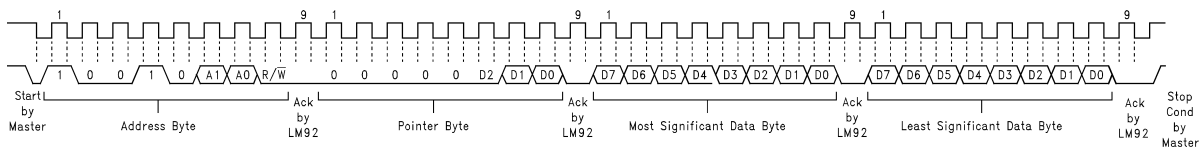


Figure 15. Comparison Register Write

## APPLICATION HINTS

The temperature response graph in [Figure 16](#) depicts a typical application designed to meet ACPI requirements. In this type of application, the temperature scale is given an arbitrary value of "granularity", or the window within which temperature notification events should occur. The LM92 can be programmed to the window size chosen by the designer, and will issue interrupts to the processor whenever the window limits have been crossed. The internal flags permit quick determination of whether the temperature is rising or falling.

The T\_CRIT limit would typically use its separate output to activate hardware shutdown circuitry separate from the processor. This is done because it is expected that if temperature has gotten this high that the processor may not be responding. The separate circuitry can then shut down the system, usually by shutting down the power supply.

Note that the INT and T\_CRIT\_A outputs are separate, but can be wire-ORed together. Alternatively the T\_CRIT\_A can be diode ORed to the INT line in such a way that a T\_CRIT\_A event activates the INT line, but an INT event does not activate the T\_CRIT\_A line. This may be useful in the event that it is desirable to notify both the processor and separate T\_CRIT\_A shutdown circuitry of a critical temperature alarm at the same time (maybe the processor is still working and can coordinate a graceful shutdown with the separate shutdown circuit).

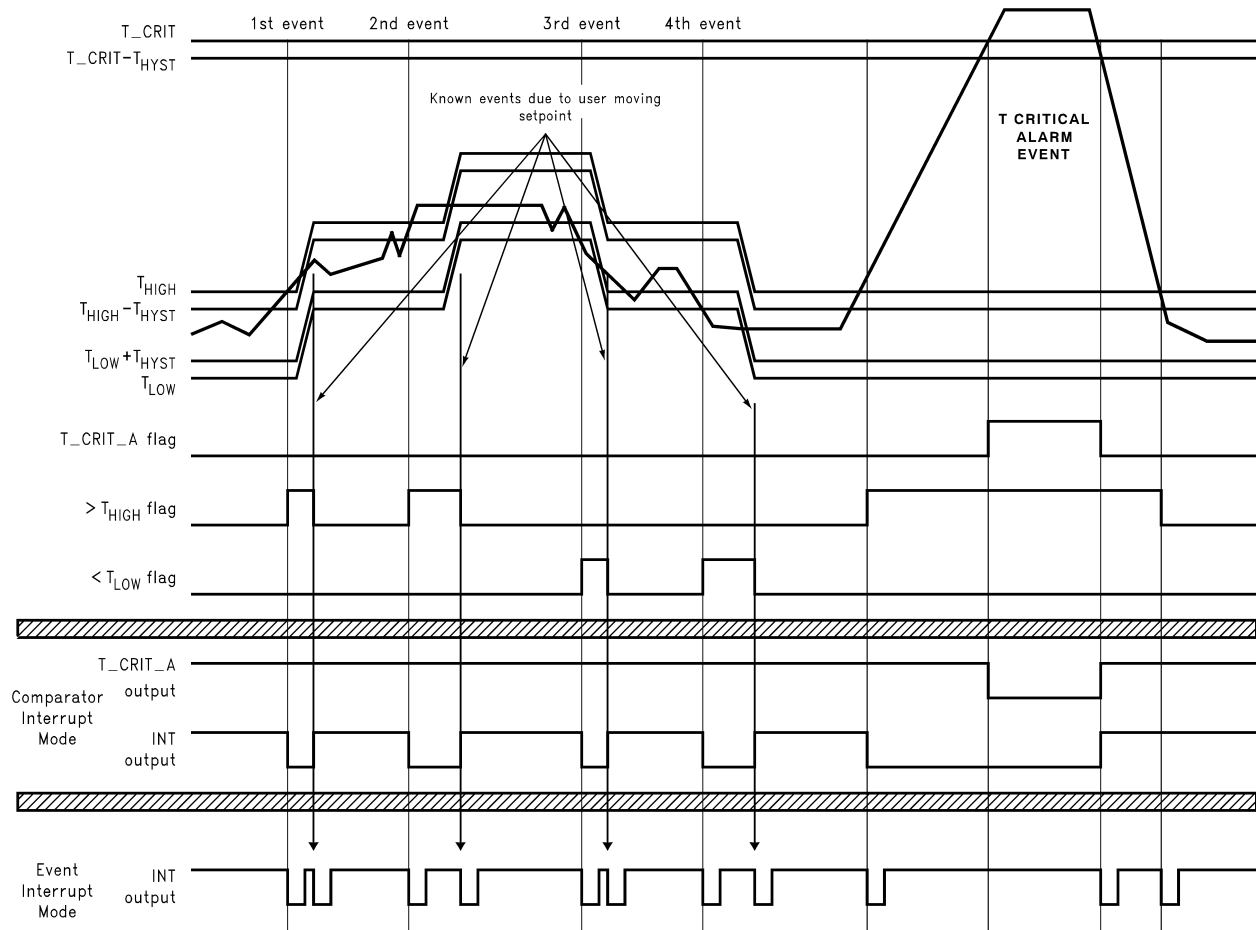
To implement ACPI compatible sensing it is necessary to sense whenever the temperature goes outside the window, issue an interrupt, service the interrupt, and reprogram the window according to the desired granularity of the temperature scale. The reprogrammed window will now have the current temperature inside it, ready to issue an interrupt whenever the temperature deviates from the current window.

To understand this graph, assume that at the left hand side the system is at some nominal temperature. For the 1st event temperature rises above the upper window limit,  $T_{HIGH}$ , causing INT to go active. The system responds to the interrupt by querying the LM92's status bits and determines that  $T_{HIGH}$  was exceeded, indicating that temperature is rising. The system then programs the temperature limits to a value higher by an amount equal to the desired granularity. Note that in Event Interrupt Mode, reprogramming the limits has caused a second, known, interrupt to be issued since temperature has been returned within the window. In Comparator Interrupt Mode, the LM92 simply stops issuing interrupts.

The 2nd event is another identical rise in temperature. The 3rd event is typical of a drop in temperature. This is one of the conditions that demonstrates the power of the LM92, as the user receives notification that a lower limit is exceeded in such a way that temperature is dropping.

The Critical Alarm Event activates the separate T\_CRIT\_A output. Typically, this would feed circuitry separate from the processor on the assumption that if the system reached this temperature, the processor might not be responding.

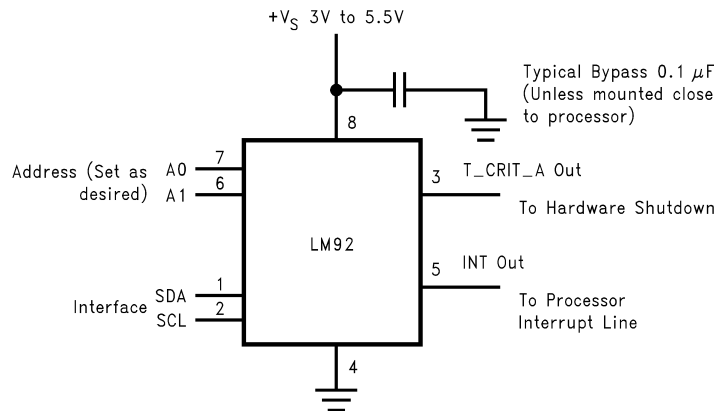




**Note:** Event Interrupt mode is drawn as if the user is reading the part. If the user doesn't read, the outputs would go low and stay that way until the LM92 is read.

**Figure 16. Temperature Response Diagram for ACPI Implementation**

### Typical Applications



**Figure 17. Typical Application**

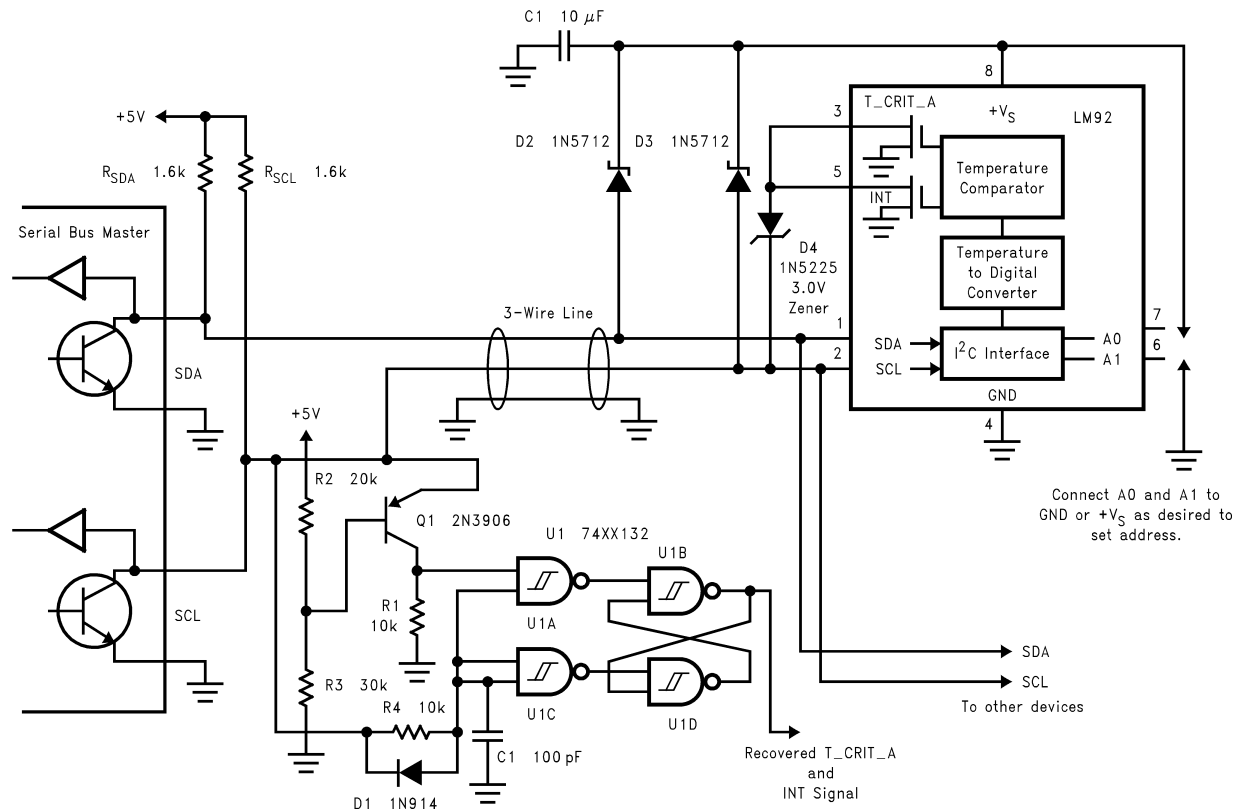


Figure 18. Remote HVAC temperature sensor communicates via 3 wires, including thermostat signals

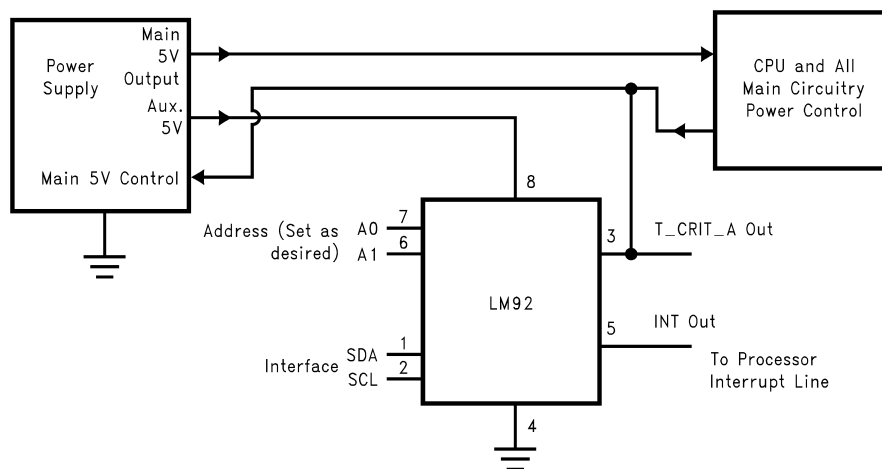


Figure 19. ACPI Compatible Terminal Alarm Shutdown

By powering the LM92 from auxiliary output of the power supply, a non-functioning overheated computer can be powered down to preserve as much of the system as possible.

---

**REVISION HISTORY**

<b>Changes from Revision C (March 2013) to Revision D</b>	<b>Page</b>
<hr/> <ul style="list-style-type: none"><li>• Changed layout of National Data Sheet to TI format .....</li></ul>	<hr/> <b>18</b>

**PACKAGING INFORMATION**

Orderable Device	Status (1)	Package Type	Package Drawing	Pins	Package Qty	Eco Plan (2)	Lead finish/ Ball material (6)	MSL Peak Temp (3)	Op Temp (°C)	Device Marking (4/5)	Samples
LM92CIM	NRND	SOIC	D	8	95	Non-RoHS & Green	Call TI	Call TI	-55 to 150	LM92 CIM	
LM92CIM/NOPB	ACTIVE	SOIC	D	8	95	RoHS & Green	SN	Level-1-260C-UNLIM	-55 to 150	LM92 CIM	Samples
LM92CIMX/NOPB	ACTIVE	SOIC	D	8	2500	RoHS & Green	SN	Level-1-260C-UNLIM	-55 to 150	LM92 CIM	Samples

(1) The marketing status values are defined as follows:

**ACTIVE:** Product device recommended for new designs.

**LIFEBUY:** TI has announced that the device will be discontinued, and a lifetime-buy period is in effect.

**NRND:** Not recommended for new designs. Device is in production to support existing customers, but TI does not recommend using this part in a new design.

**PREVIEW:** Device has been announced but is not in production. Samples may or may not be available.

**OBSOLETE:** TI has discontinued the production of the device.

(2) **RoHS:** TI defines "RoHS" to mean semiconductor products that are compliant with the current EU RoHS requirements for all 10 RoHS substances, including the requirement that RoHS substance do not exceed 0.1% by weight in homogeneous materials. Where designed to be soldered at high temperatures, "RoHS" products are suitable for use in specified lead-free processes. TI may reference these types of products as "Pb-Free".

**RoHS Exempt:** TI defines "RoHS Exempt" to mean products that contain lead but are compliant with EU RoHS pursuant to a specific EU RoHS exemption.

**Green:** TI defines "Green" to mean the content of Chlorine (Cl) and Bromine (Br) based flame retardants meet JS709B low halogen requirements of <=1000ppm threshold. Antimony trioxide based flame retardants must also meet the <=1000ppm threshold requirement.

(3) MSL, Peak Temp. - The Moisture Sensitivity Level rating according to the JEDEC industry standard classifications, and peak solder temperature.

(4) There may be additional marking, which relates to the logo, the lot trace code information, or the environmental category on the device.

(5) Multiple Device Markings will be inside parentheses. Only one Device Marking contained in parentheses and separated by a "~" will appear on a device. If a line is indented then it is a continuation of the previous line and the two combined represent the entire Device Marking for that device.

(6) Lead finish/Ball material - Orderable Devices may have multiple material finish options. Finish options are separated by a vertical ruled line. Lead finish/Ball material values may wrap to two lines if the finish value exceeds the maximum column width.

**Important Information and Disclaimer:**The information provided on this page represents TI's knowledge and belief as of the date that it is provided. TI bases its knowledge and belief on information provided by third parties, and makes no representation or warranty as to the accuracy of such information. Efforts are underway to better integrate information from third parties. TI has taken and continues to take reasonable steps to provide representative and accurate information but may not have conducted destructive testing or chemical analysis on incoming materials and chemicals. TI and TI suppliers consider certain information to be proprietary, and thus CAS numbers and other limited information may not be available for release.

In no event shall TI's liability arising out of such information exceed the total purchase price of the TI part(s) at issue in this document sold by TI to Customer on an annual basis.

## TAPE AND REEL INFORMATION



### QUADRANT ASSIGNMENTS FOR PIN 1 ORIENTATION IN TAPE



\*All dimensions are nominal

Device	Package Type	Package Drawing	Pins	SPQ	Reel Diameter (mm)	Reel Width W1 (mm)	A0 (mm)	B0 (mm)	K0 (mm)	P1 (mm)	W (mm)	Pin1 Quadrant
LM92CIMX/NOPB	SOIC	D	8	2500	330.0	12.4	6.5	5.4	2.0	8.0	12.0	Q1

**TAPE AND REEL BOX DIMENSIONS**


\*All dimensions are nominal

Device	Package Type	Package Drawing	Pins	SPQ	Length (mm)	Width (mm)	Height (mm)
LM92CIMX/NOPB	SOIC	D	8	2500	367.0	367.0	35.0



D0008A

# PACKAGE OUTLINE

SOIC - 1.75 mm max height

SMALL OUTLINE INTEGRATED CIRCUIT



4214825/C 02/2019

NOTES:

- Linear dimensions are in inches [millimeters]. Dimensions in parenthesis are for reference only. Controlling dimensions are in inches. Dimensioning and tolerancing per ASME Y14.5M.
- This drawing is subject to change without notice.
- This dimension does not include mold flash, protrusions, or gate burrs. Mold flash, protrusions, or gate burrs shall not exceed  $.006$  [0.15] per side.
- This dimension does not include interlead flash.
- Reference JEDEC registration MS-012, variation AA.



# EXAMPLE BOARD LAYOUT

D0008A

SOIC - 1.75 mm max height

SMALL OUTLINE INTEGRATED CIRCUIT



LAND PATTERN EXAMPLE  
 EXPOSED METAL SHOWN  
 SCALE:8X



SOLDER MASK DETAILS

4214825/C 02/2019

NOTES: (continued)

- 6. Publication IPC-7351 may have alternate designs.
- 7. Solder mask tolerances between and around signal pads can vary based on board fabrication site.

# EXAMPLE STENCIL DESIGN

D0008A

SOIC - 1.75 mm max height

SMALL OUTLINE INTEGRATED CIRCUIT



SOLDER PASTE EXAMPLE  
BASED ON .005 INCH [0.125 MM] THICK STENCIL  
SCALE:8X

4214825/C 02/2019

NOTES: (continued)

8. Laser cutting apertures with trapezoidal walls and rounded corners may offer better paste release. IPC-7525 may have alternate design recommendations.
9. Board assembly site may have different recommendations for stencil design.

## IMPORTANT NOTICE AND DISCLAIMER

TI PROVIDES TECHNICAL AND RELIABILITY DATA (INCLUDING DATASHEETS), DESIGN RESOURCES (INCLUDING REFERENCE DESIGNS), APPLICATION OR OTHER DESIGN ADVICE, WEB TOOLS, SAFETY INFORMATION, AND OTHER RESOURCES "AS IS" AND WITH ALL FAULTS, AND DISCLAIMS ALL WARRANTIES, EXPRESS AND IMPLIED, INCLUDING WITHOUT LIMITATION ANY IMPLIED WARRANTIES OF MERCHANTABILITY, FITNESS FOR A PARTICULAR PURPOSE OR NON-INFRINGEMENT OF THIRD PARTY INTELLECTUAL PROPERTY RIGHTS.

These resources are intended for skilled developers designing with TI products. You are solely responsible for (1) selecting the appropriate TI products for your application, (2) designing, validating and testing your application, and (3) ensuring your application meets applicable standards, and any other safety, security, or other requirements. These resources are subject to change without notice. TI grants you permission to use these resources only for development of an application that uses the TI products described in the resource. Other reproduction and display of these resources is prohibited. No license is granted to any other TI intellectual property right or to any third party intellectual property right. TI disclaims responsibility for, and you will fully indemnify TI and its representatives against, any claims, damages, costs, losses, and liabilities arising out of your use of these resources.

TI's products are provided subject to TI's Terms of Sale (<https://www.ti.com/legal/termsofsale.html>) or other applicable terms available either on [ti.com](https://www.ti.com) or provided in conjunction with such TI products. TI's provision of these resources does not expand or otherwise alter TI's applicable warranties or warranty disclaimers for TI products.

Mailing Address: Texas Instruments, Post Office Box 655303, Dallas, Texas 75265  
Copyright © 2021, Texas Instruments Incorporated