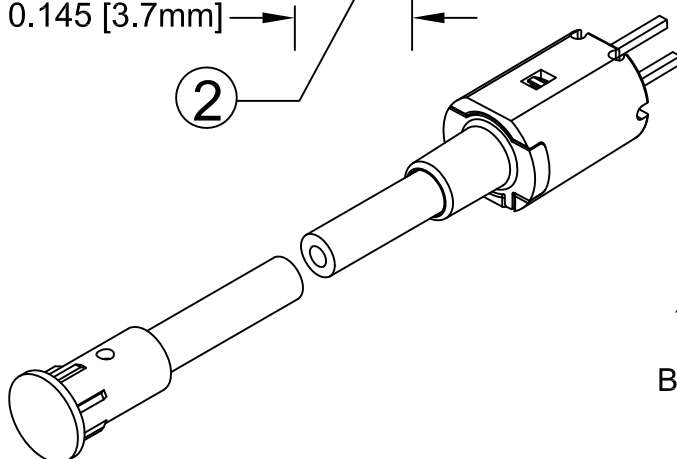
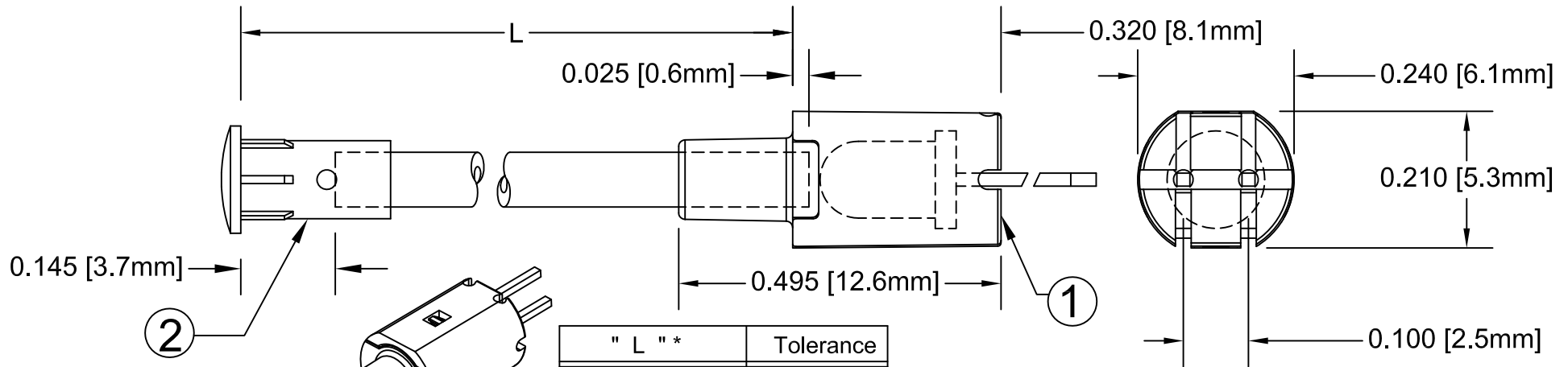


ITEM	Q'TY	PART NUMBER	PART DESCRIPTION
1	1	FLPV-XX	Flexible Light Pipe Adapter, Vertical, w/LED, See page 2 & 3.
2	1	LC-XX.X	Flexible Light Pipe Lens Cap Assembly

REV.	DESCRIPTION	DATE	APPROVED
D	Added Shipping Note and Tolerance Table	04/17/06	M. C.
E	Changed Length from 2.5 to 0.5 at "L" Table	02/12/07	M. C.
F	Updated BOM	01/25/08	M. C.
G	Updated FLPC Hidden View.	08/27/08	M. C.
H	Updated White Assy P/N	12/03/10	T. Y.
J	Updated Table For Length "L"	11/14/12	T. Y.
K	Replace 3UWC-0.6K-F With 3UWC1.035C-F	04/08/13	T. Y.

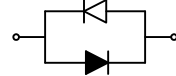
NOTE: FLPV-XX ADAPTER SHIPPED NON-ASSEMBLED



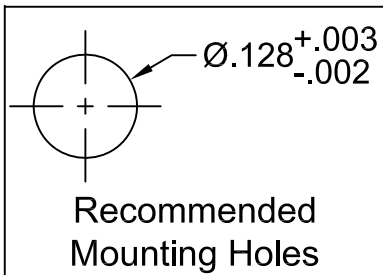
" L " *	Tolerance
1.0" ~ 16.0"	±0.050"
16.1" ~ 40.0"	±0.15"
40.1" ~ 80.0"	±0.30"
80.1" ~ 3,940.0"	±0.5%

* Available in 0.1" increments only

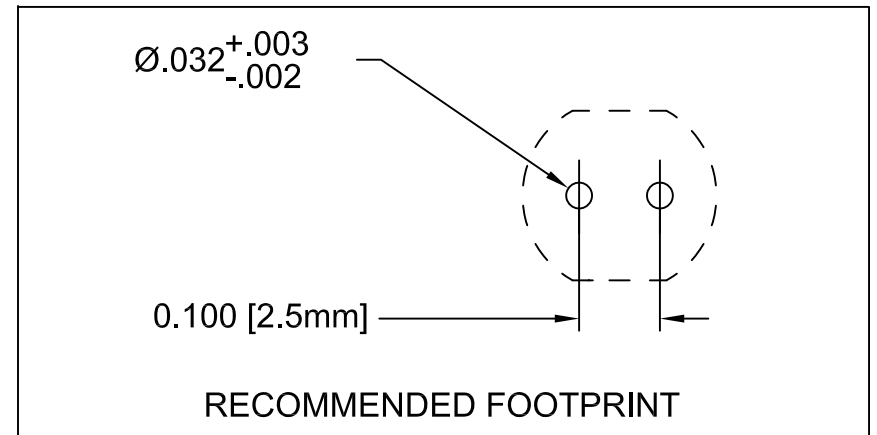
BI-COLOR LED'S



SHORT LEAD CATHODE	LED PART NO.	LONG LEAD CATHODE
RED	3xBCC-F	GREEN
YELLOW	3xBCC-Y/G-F	GREEN
RED	3xBCC-R/Y-F	YELLOW
AMBER	3xBCC-A/G-F	GREEN



SINGLE COLOR LED
SHORT LEAD CATHODE



ABSOLUTE MAXIMUM RATINGS (Ta=25°C)


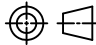
REVERSE VOLTAGE	_____	5V
REVERSE CURRENT	_____	100uA
OPERATING TEMPERATURE RANGE	_____	-25° C - 85° C
STORAGE TEMPERATURE	_____	-30° C - 100° C
LEAD SOLDERING TEMPERATURE(1/16" FROM BODY)	_____	260° C FOR 5 SECONDS

STANDARD TOLERANCE (UNLESS OTHERWISE SPECIFIED)		 BIVAR [®] 4 THOMAS, IRVINE, CA. 92618 TEL: (949) 951-8808 FAX: (949) 951-3974	
DECIMALS	ANGULAR		
.X ±.1	X° ± 1°	 TITLE: FLEXIBLE LIGHT-PIPE ASSY VERTICAL, 3mm LENS CAP W/LED	
.XX ±.02			
.XXX ±.010			
DESIGNED: Shane Irving	DATE: 05/06/99	PART NO: FLPVX.X-XX	REVISION: K
CHECKED: M. Chen	DATE: 07/03/02	CAGE CODE : 32559	SHEET # 1 OF 3
CAD GENERATED DOCUMENT. DO NOT MEASURE DRAWING.			

REV.	DESCRIPTION	DATE	APPROVED
	SEE SHEET#1.		

LED Assy. No.	Emitted Color	Peak Wave Length λ_p (nm)	Lens Appearance	Absolute Max. Ratings			Electro-Optical Data @ 20mA			Viewing Angle $2\theta \frac{1}{2}$ (Deg)	LED P/N
				Pd (mW)	If (mA)	Peak If (mA)	Vf (V)		Iv (mcd)		
							Typ.	Max.	Typ.		
FLPVX.X-SG	SUPER GREEN	568	WATER CLEAR	80	30	150	2.1	2.8	50	20	3SGC-F
FLPVX.X-SY	SUPER YELLOW	590	WATER CLEAR	85	30	150	2.0	2.8	50	20	3SYC-F
FLPVX.X-SA	SUPER AMBER	605	WATER CLEAR	100	30	150	1.8	2.4	300	20	3SAC-F
FLPVX.X-SR	SUPER RED	645	WATER CLEAR	70	30	150	1.7	2.4	60	20	3SRC-F


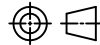
LED Assy. No.	Emitted Color	Peak Wave Length λ_p (nm)	Lens Appearance	Absolute Max. Ratings			Electro-Optical Data @ 20mA			Viewing Angle $2\theta \frac{1}{2}$ (Deg)	LED P/N
				Pd (mW)	If (mA)	Peak If (mA)	Vf (V)		Iv (mcd)		
							Typ.	Max.	Typ.		
FLPVX.X-UBW.6K	BLUE	470	WATER CLEAR	150	25	70	4.0	4.5	400	20	3UBWC-0.6K-F
FLPVX.X-UT	TURQUOISE	500	WATER CLEAR	70	30	150	3.5	4.0	800	20	3UTC-F
FLPVX.X-UG	GREEN	570	WATER CLEAR	100	30	150	2.1	2.4	200	20	3UGC-F
FLPVX.X-SUG	GREEN	570	WATER CLEAR	100	30	150	2.1	2.4	300	20	3SUGC-F
FLPVX.X-UY	YELLOW	590	WATER CLEAR	85	30	150	2.0	2.4	300	20	3UYC-F
FLPVX.X-SUY	YELLOW	590	WATER CLEAR	85	30	150	2.0	2.4	400	20	3SUYC-F
FLPVX.X-UUY	YELLOW	590	WATER CLEAR	85	30	150	2.0	2.4	600	20	3UUYC-F
FLPVX.X-UO	ORANGE	625	WATER CLEAR	100	30	150	1.8	2.4	300	20	3UOC-F
FLPVX.X-SUO	ORANGE	625	WATER CLEAR	100	30	150	1.8	2.4	400	20	3SUOC-F
FLPVX.X-UR	RED	645	WATER CLEAR	60	30	150	1.7	2.4	200	20	3URC-F
FLPVX.X-SUR	RED	640	WATER CLEAR	70	30	150	1.8	2.4	200	20	3SURC-F
FLPVX.X-UW0.6K	WHITE	-	WATER CLEAR	120	30	100	3.4	3.8	1000	35	3UWC1.035C-F

STANDARD TOLERANCE (UNLESS OTHERWISE SPECIFIED) $\pm 10\%$ ALL VALUES		 BIVAR [®] 4 THOMAS, IRVINE, CA. 92618 TEL: (949) 951-8808 FAX: (949) 951-3974	
ANGULAR $X^\circ \pm 5^\circ$			
		TITLE: FLEXIBLE LIGHT-PIPE ASSY VERTICAL, 3mm LENS CAP W/LED	
DESIGNED: David Green	DATE: 06/09/03	PART NO: FLPVX.X-XX	REVISION: K
CHECKED: M. Chen	DATE: 06/09/03	CAGE CODE : 32559	SHEET # 2 OF 3
CAD GENERATED DOCUMENT, DO NOT MEASURE DRAWING.			

REV.	DESCRIPTION	DATE	APPROVED
	SEE SHEET#1.		

LED Assy. No.	Emitted Color	Peak Wave Length λ_p (nm)	Lens Appearance	Absolute Max. Ratings			Electro-Optical Data @ 20mA			Viewing Angle $2\theta_{1/2}$ (Deg)	LED P/N
				Pd (mW)	If (mA)	Peak If (mA)	Vf (V)		Iv (mcd)		
							Typ.	Max.	Typ.		
FLPVX.X-BC	HE RED	625	WATER CLEAR	80	30	150	2.0	2.8	8	40	3BCC-F
	GREEN	568		80	30	150	2.1	2.8	8		
FLPVX.X-BC-Y/G	YELLOW	590	WATER CLEAR	80	30	150	2.0	2.8	6	40	3BCC-Y/G-F
	GREEN	568		80	30	150	2.1	2.8	8		
FLPVX.X-BC-R/Y	HE RED	625	WATER CLEAR	80	30	150	2.0	2.8	8	40	3BCC-R/Y-F
	YELLOW	590		80	30	150	2.0	2.8	6		
FLPVX.X-BC-A/G	AMBER	605	WATER CLEAR	80	30	150	2.0	2.8	6	40	3BCC-A/G-F
	GREEN	568		80	30	150	2.1	2.8	8		

LED Assy. No.	Emitted Color	Peak Wave Length λ_p (nm)	Lens Appearance	Absolute Max. Ratings			Electro-Optical Data @ 20mA			Viewing Angle $2\theta_{1/2}$ (Deg)	LED P/N
				Pd (mW)	If (mA)	Peak If (mA)	Vf (V)		Iv (mcd)		
							Typ.	Max.	Typ.		
FLPVX.X-SBC	SUPER RED	645	WATER CLEAR	70	30	150	1.7	2.4	100	20	3SBCC-F
	HE GREEN	568		80	30	150	2.1	2.8	60		
FLPVX.X-SBC-Y/G	SUPER YELLOW	585	WATER CLEAR	85	20	160	2.1	2.4	15	40	3SBCC-Y/G-F
	HE GREEN	565		80	20	160	2.1	2.8	5		
FLPVX.X-SBC-R/Y	SUPER RED	645	WATER CLEAR	70	30	150	1.7	2.4	100	20	3SBCC-R/Y-F
	SUPER YELLOW	590		85	30	150	2.0	2.4	300		

STANDARD TOLERANCE (UNLESS OTHERWISE SPECIFIED) $\pm 10\%$ ALL VALUES		 BIVAR [®] 4 THOMAS, IRVINE, CA, 92618 TEL: (949) 951-8808 FAX: (949) 951-3974	
ANGULAR $X^\circ \pm 5^\circ$			
		TITLE: FLEXIBLE LIGHT-PIPE ASSY VERTICAL, 3mm LENS CAP W/LED	
DESIGNED: David Green	DATE: 06/09/03	PART NO: FLPVX.X-XX	REVISION: K
CHECKED: M. Chen	DATE: 06/09/03	CAGE CODE : 32559	SHEET # 3 OF 3
CAD GENERATED DOCUMENT, DO NOT MEASURE DRAWING.			