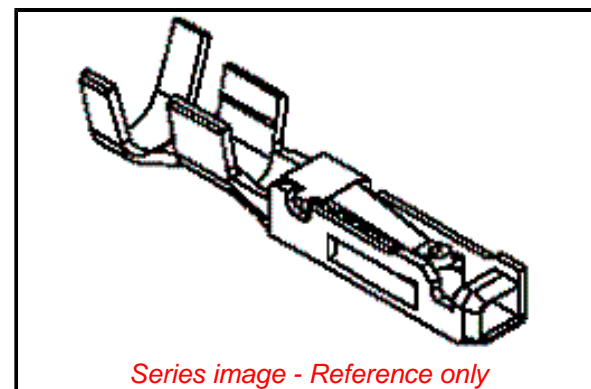


**PLEASE CHECK WWW.MOLEX.COM FOR LATEST PART INFORMATION**

**Part Number:** **5016471000**  
**Status:** **Active**  
**Overview:** iGrid Wire-to-Board Dual-Row System  
**Description:** 2.00mm Pitch iGrid Wire-to-Board Crimp Terminal, Female, Tin (Sn) Plating, 22-26 AWG, Reel

**Documents:**

|                                                                |                                                                |
|----------------------------------------------------------------|----------------------------------------------------------------|
| <a href="#">3D Model</a>                                       | <a href="#">Application Specification 5016460000-A01 (PDF)</a> |
| <a href="#">Drawing (PDF)</a>                                  | <a href="#">Packaging Specification 5016479200-200 (PDF)</a>   |
| <a href="#">Product Specification PS-501646-001-001 (PDF)</a>  | <a href="#">RoHS Certificate of Compliance (PDF)</a>           |
| <a href="#">Application Specification 5016460000-A00 (PDF)</a> |                                                                |



**General**

|                         |                                                     |
|-------------------------|-----------------------------------------------------|
| Product Family          | Crimp Terminals                                     |
| Series                  | <a href="#">501647</a>                              |
| Application             | Signal, Wire-to-Board                               |
| Crimp Quality Equipment | Yes                                                 |
| Overview                | <a href="#">iGrid Wire-to-Board Dual-Row System</a> |
| Packaging Alternative   | <a href="#">501647-1100 (Loose)</a>                 |
| Product Name            | iGrid                                               |
| UPC                     | 822350087308                                        |

**Physical**

|                                |                      |
|--------------------------------|----------------------|
| Durability (mating cycles max) | 30                   |
| Gender                         | Female               |
| Material - Metal               | Copper Alloy         |
| Material - Plating Mating      | Tin                  |
| Material - Plating Termination | Tin                  |
| Net Weight                     | 76.000/mg            |
| Packaging Type                 | Reel                 |
| Termination Interface: Style   | Crimp or Compression |
| Wire Insulation Diameter       | 0.95-1.50mm          |
| Wire Size AWG                  | 22, 24, 26           |
| Wire Size mm <sup>2</sup>      | 0.124-0.34           |

**Electrical**

|                               |                  |
|-------------------------------|------------------|
| Current - Maximum per Contact | 2.0A             |
| Voltage - Maximum             | 250V AC (RMS)/DC |

**Material Info**

**Reference - Drawing Numbers**

|                           |                                |
|---------------------------|--------------------------------|
| Application Specification | 5016460000-A00, 5016460000-A01 |
| Crimp Specification       | 5016470000-CS-000              |
| Packaging Specification   | 5016479200-200                 |
| Product Specification     | PS-501646-001-001              |
| Sales Drawing             | SD-501647-001                  |

**EU ELV**

**Not Relevant**

**EU RoHS**

**Compliant**

**REACH SVHC**

Not Contained Per -  
ED/61/2018 (27 June  
2018)

**Halogen-Free**

**Status**

**Low-Halogen**

**Need more information on product environmental compliance?**

Email [productcompliance@molex.com](mailto:productcompliance@molex.com)  
Please visit the [Contact Us](#) section for any non-product compliance questions.

|                 |               |
|-----------------|---------------|
| China ROHS      | Green Image   |
| ELV             | Not Relevant  |
| Prop65          | Compliant     |
| RoHS Phthalates | Not Contained |

**Search Parts in this Series**

[501647 Series](#)

**Use With**

[501646 Receptacle Housing](#)