

## Low clamping single line bidirectional ESD protection

Datasheet – production data

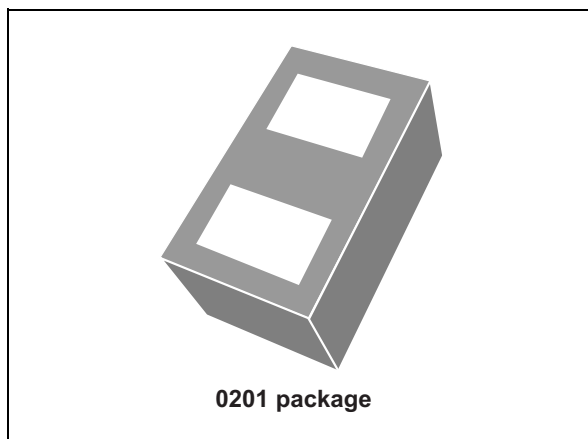
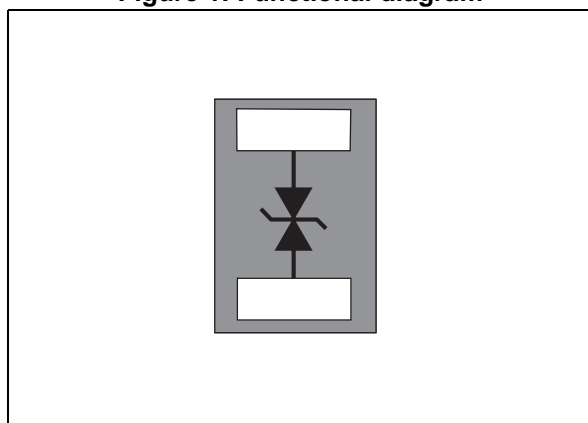


Figure 1. Functional diagram



### Features

- Low clamping voltage: 16 V (IEC 61000-4-2 contact discharge 8 kV at 30 ns)
- Bidirectional device
- Low leakage current
- 0201 package
- Ultra small PCB area: 0.18 mm<sup>2</sup>
- ECOPACK<sup>®</sup>2 compliant component

### Complies with the following standards

- IEC 61000-4-2:
  - ±15 kV (air discharge)
  - ±8 kV (contact discharge)

### Applications

Where transient over voltage protection in ESD sensitive equipment is required, such as:

- Smartphones, mobile phones and accessories
- Tablet, PC, netbooks and notebooks
- Portable multimedia devices and accessories
- Digital cameras and camcorders
- Communication and highly integrated systems

### Description

The ESDALC8-1BF4 is a bidirectional single line TVS diode designed to protect the data line or other I/O ports against ESD transients.

The device is ideal for applications where both board space saving and high protection efficiency are required. Thanks to the strong I<sub>PP</sub> capability, this diode can also be used as a V<sub>bus</sub> protection.

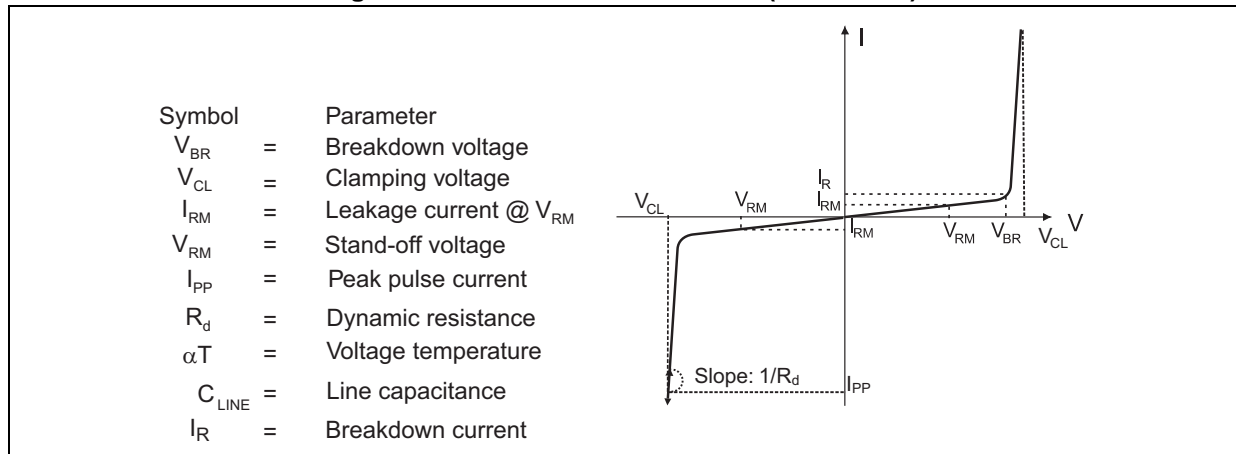
# 1 Characteristics

**Table 1. Absolute maximum ratings**

| Symbol         | Parameter  |                                 | Value       | Unit         |
|----------------|--|---------------------------------|-------------|--------------|
| $V_{PP}^{(1)}$ | Peak pulse voltage                                 | IEC 61000-4-2 contact discharge | 20          | kV           |
|                |  | IEC 61000-4-2 air discharge     | 20          |              |
| $P_{PP}^{(1)}$ | Peak pulse power (8/20 $\mu$ s)                    |                                 | 165         | W            |
| $I_{PP}^{(1)}$ | Peak pulse current (8/20 $\mu$ s)                  |                                 | 8.6         | A            |
| $T_j$          | Operating junction temperature range               |                                 | -40 to 125  | $^{\circ}$ C |
| $T_{stg}$      | Storage temperature range                          |                                 | -65 to +150 | $^{\circ}$ C |
| $T_L$          | Maximum lead temperature for soldering during 10 s |                                 | 260         | $^{\circ}$ C |

1. For a surge greater than the maximum values, the diode will fail in short-circuit.

**Figure 2. Electrical characteristics (definitions)**



**Table 2. Electrical characteristics (values,  $T_{amb} = 25^{\circ}$ C)**

| Symbol     | Test conditions  | Value |      |      | Unit |
|------------|--|-------|------|------|------|
|            |  | Min.  | Typ. | Max. |      |
| $V_{BR}$   | Pin1 to Pin2, $I_R = 1$ mA                                       | 11    | 13   |      | V    |
|            | Pin2 to Pin1, $I_R = 1$ mA                                       | 7     | 9    |      |      |
| $I_{RM}$   | Pin1 to Pin2, $V_{RM} = 9$ V                                     |       |      | 50   | nA   |
|            | Pin2 to Pin1, $V_{RM} = 6$ V                                     |       |      | 50   |      |
| $V_{CL}$   | 8 kV contact discharge after 30 ns, IEC 61000-4-2 (Pin2 to Pin1) |       | 16   |      | V    |
| $C_{LINE}$ | F = 1 MHz, $V_{RM} = 0$ V  |       | 30   | 38   | pF   |

Figure 3. Leakage current versus junction temperature (typical values)

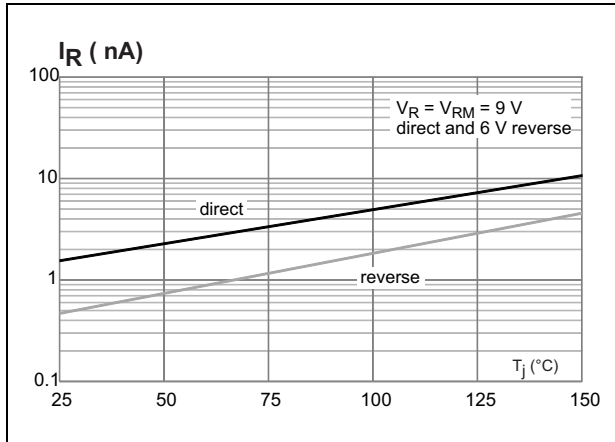


Figure 4. Junction capacitance versus applied voltage (typical values)

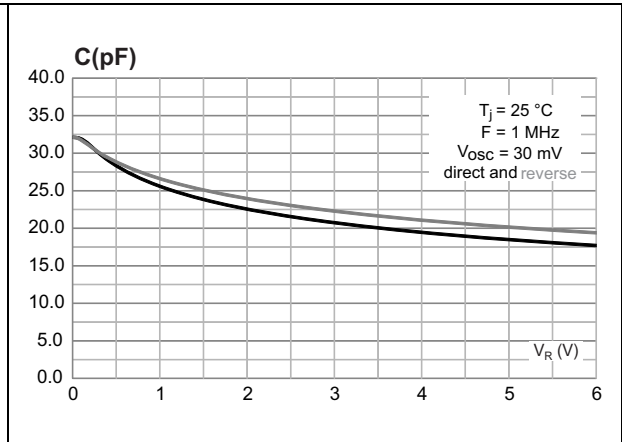


Figure 5. ESD response to IEC 61000-4-2 (+8 kV contact discharge)

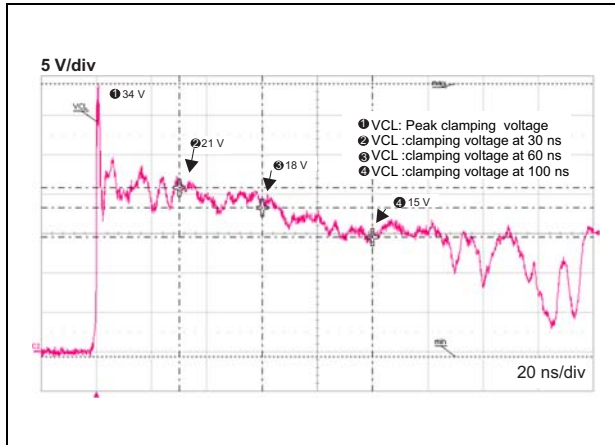


Figure 6. ESD response to IEC 61000-4-2 (-8 kV contact discharge)

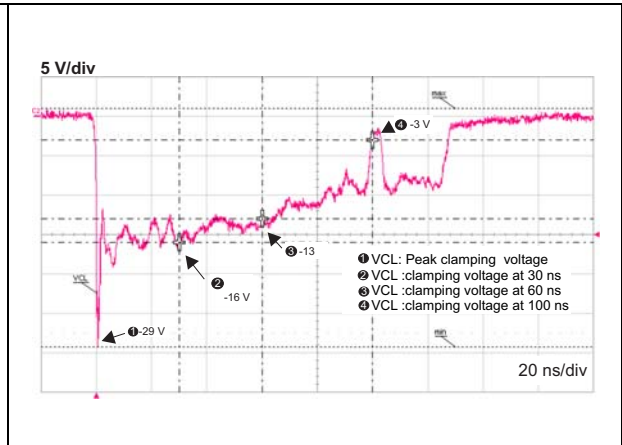


Figure 7. Dynamic resistance

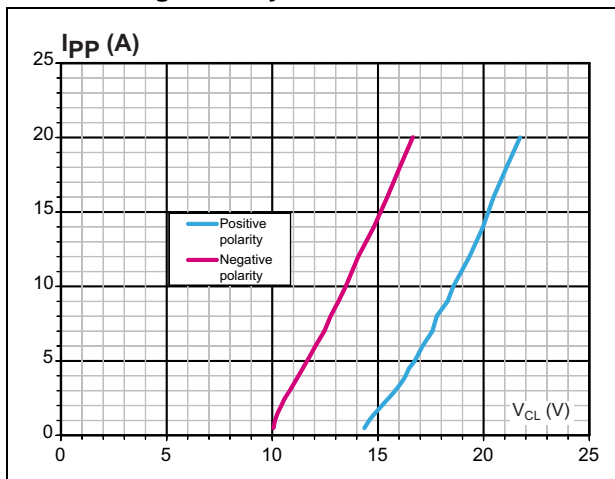
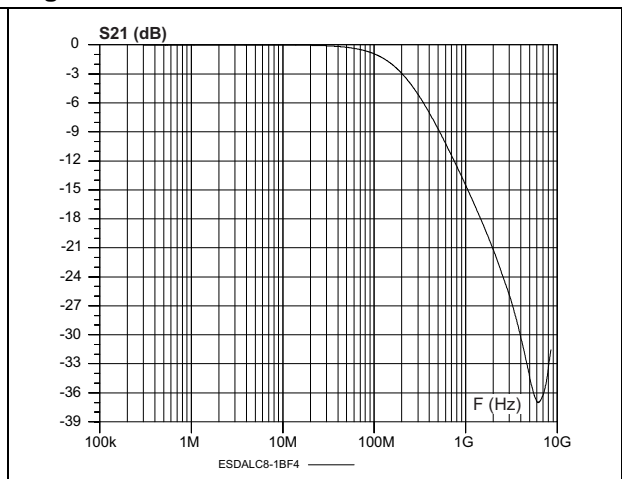


Figure 8. S21 attenuation result measurements



## 2 Package information

- Epoxy meets UL94, V0
- Lead-free package

In order to meet environmental requirements, ST offers these devices in different grades of ECOPACK® packages, depending on their level of environmental compliance. ECOPACK® specifications, grade definitions and product status are available at: [www.st.com](http://www.st.com). ECOPACK® is an ST trademark.

Figure 9. 0201 package dimension definitions

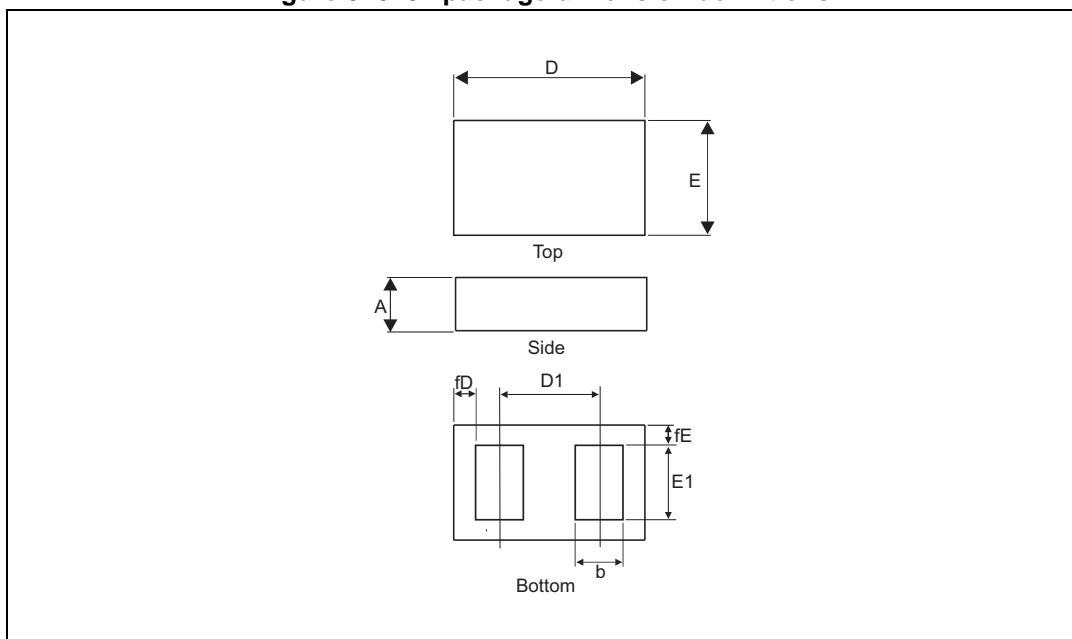


Table 3. 0201 package dimension values

| Ref. | Dimensions  |       |       |        |        |        |
|------|-------------|-------|-------|--------|--------|--------|
|      | Millimeters |       |       | Inches |        |        |
|      | Min.        | Typ.  | Max.  | Min.   | Typ.   | Max.   |
| A    | 0.28        | 0.3   | 0.32  | 0.0110 | 0.0118 | 0.0126 |
| b    | 0.125       | 0.14  | 0.155 | 0.0049 | 0.0055 | 0.0061 |
| D    | 0.57        | 0.6   | 0.63  | 0.0224 | 0.0236 | 0.0248 |
| D1   |             | 0.35  |       |        | 0.0138 |        |
| E    | 0.27        | 0.3   | 0.33  | 0.0106 | 0.0118 | 0.0130 |
| E1   | 0.175       | 0.19  | 0.205 | 0.0069 | 0.0075 | 0.0081 |
| fD   | 0.065       | 0.08  | 0.095 | 0.0026 | 0.0031 | 0.0037 |
| fE   | 0.11        | 0.125 | 0.13  | 0.0043 | 0.0049 | 0.0051 |

Figure 10. Footprint dimensions in mm (inches)

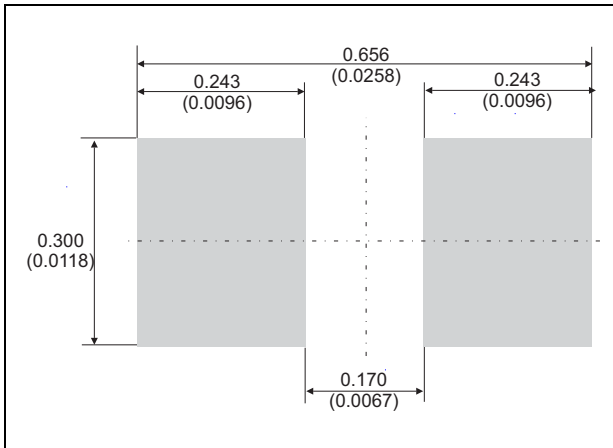
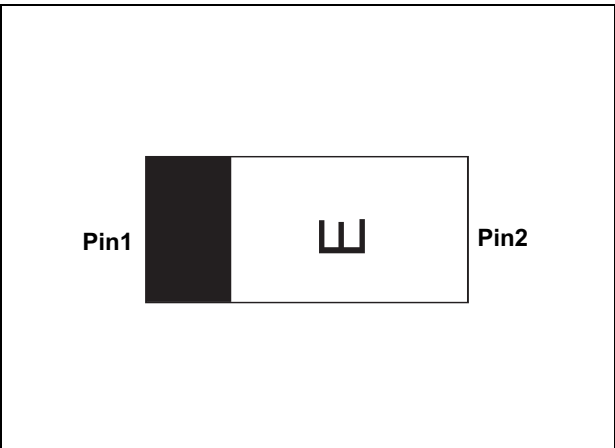
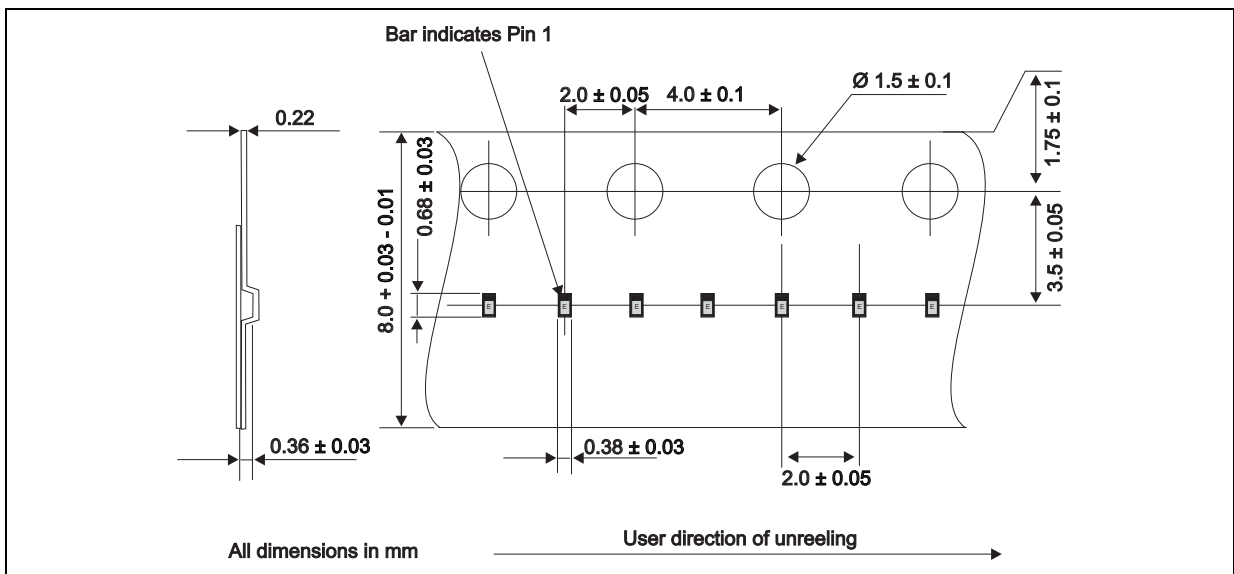


Figure 11. Marking



Note: The marking codes can be rotated by 90° or 180° to differentiate assembly location. In no case should this product marking be used to orient the component for its placement on a PCB. Only pin 1 mark is to be used for this purpose.

Figure 12. Tape and reel specification

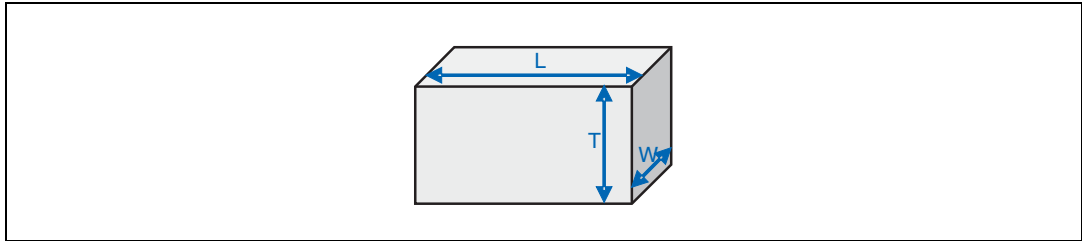


### 3 Recommendation on PCB assembly

#### 3.1 Stencil opening design

1. General recommendations on stencil opening design
  - a) Stencil opening dimensions: L (Length), W (Width), T (Thickness).

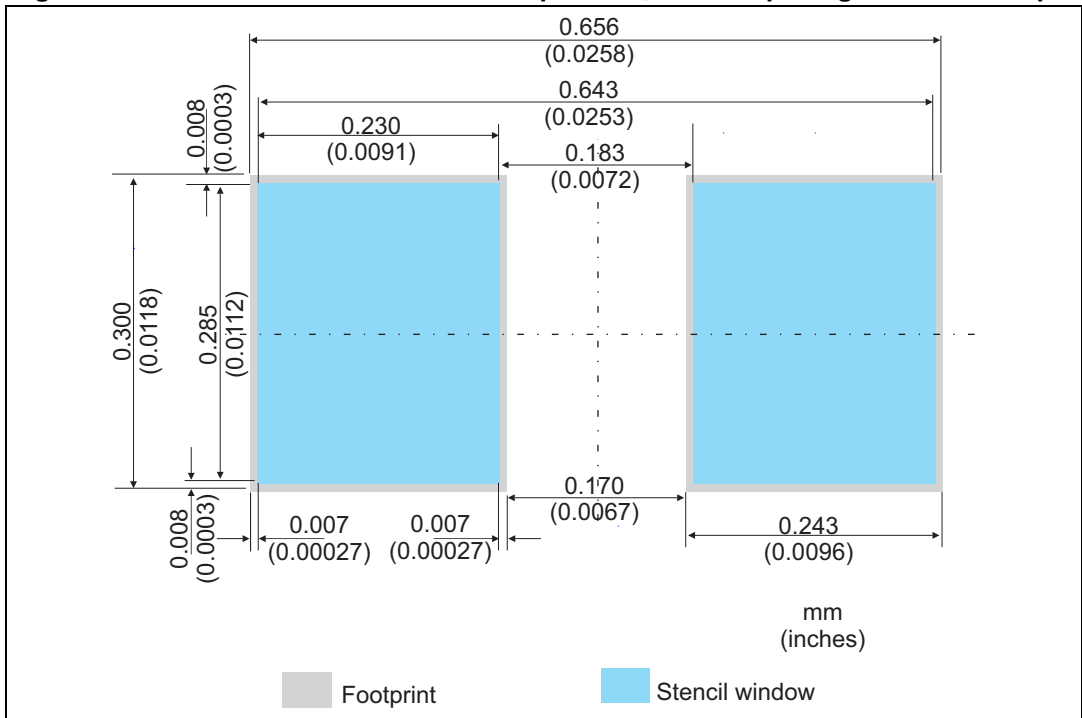
**Figure 13. Stencil opening dimensions**



- b) General design rule
  - Stencil thickness (T) = 75 ~ 125 μm
  - Aspect Ratio =  $\frac{W}{T} \geq 1,5$
  - Aspect Area =  $\frac{L \times W}{2T(L + W)} \geq 0,66$

2. Recommended stencil window
  - a) Stencil opening thickness: 80 μm
  - b) Other dimensions: see [Figure 14](#)

**Figure 14. Recommended stencil window position, stencil opening thickness: 80 μm**



### 3.2 Solder paste

1. Use halide-free flux, qualification ROL0 according to ANSI/J-STD-004.
2. "No clean" solder paste recommended.
3. Offers a high tack force to resist component displacement during PCB movement.
4. Use solder paste with fine particles: Type 4 (powder particle size 20-48  $\mu\text{m}$  per IPC J STD-005).

### 3.3 Placement

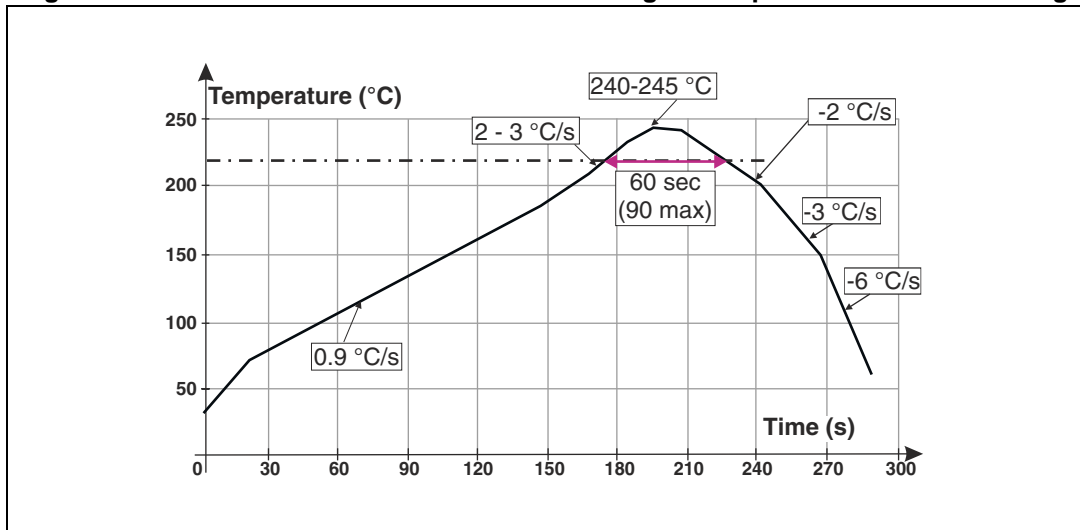
1. Manual positioning is not recommended.
2. It is recommended to use the lead recognition capabilities of the placement system, not the outline centering.
3. Standard tolerance of  $\pm 0.05$  mm is recommended.
4. 1.0 N placement force is recommended. Too much placement force can lead to squeezed out solder paste and cause solder joints to short. Too low placement force can lead to insufficient contact between package and solder paste that could cause open solder joints or badly centered packages.
5. To improve the package placement accuracy, a bottom side optical control should be performed with a high resolution tool.
6. For assembly, a perfect supporting of the PCB (all the more on flexible PCB) is recommended during solder paste printing, pick and place and reflow soldering by using optimized tools.

### 3.4 PCB design preference

1. To control the solder paste amount, the closed via is recommended instead of open vias.
2. The position of tracks and open vias in the solder area should be well balanced. The symmetrical layout is recommended, in case any tilt phenomena caused by asymmetrical solder paste amount due to the solder flow away.

### 3.5 Reflow profile

Figure 15. ST ECOPACK® recommended soldering reflow profile for PCB mounting



Note: Minimize air convection currents in the reflow oven to avoid component movement.



## 4 Ordering information

Figure 16. Ordering information scheme

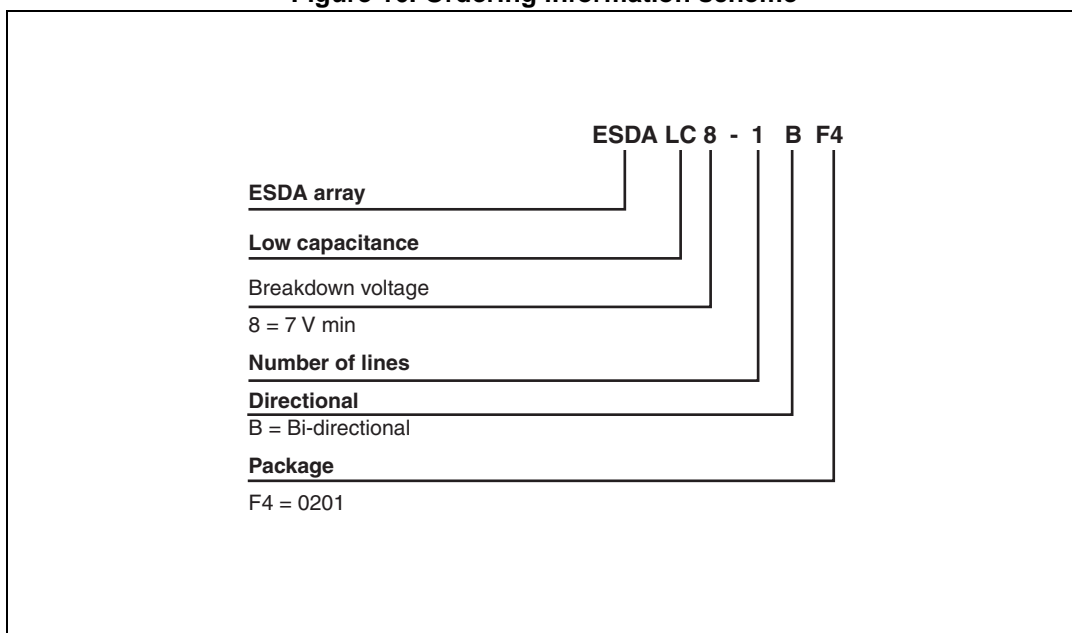


Table 4. Ordering information

| Order code   | Marking          | Package | Weight   | Base qty | Delivery mode |
|--------------|------------------|---------|----------|----------|---------------|
| ESDALC8-1BF4 | E <sup>(1)</sup> | 0201    | 0.116 mg | 15000    | Tape and reel |

1. The marking codes can be rotated by 90° or 180° to differentiate assembly location

## 5 Revision history

Table 5. Document revision history

| Date        | Revision | Changes     |
|-------------|----------|-------------|
| 08-Apr-2014 | 1        | First issue |

**Please Read Carefully:**

Information in this document is provided solely in connection with ST products. STMicroelectronics NV and its subsidiaries ("ST") reserve the right to make changes, corrections, modifications or improvements, to this document, and the products and services described herein at any time, without notice.

All ST products are sold pursuant to ST's terms and conditions of sale.

Purchasers are solely responsible for the choice, selection and use of the ST products and services described herein, and ST assumes no liability whatsoever relating to the choice, selection or use of the ST products and services described herein.

No license, express or implied, by estoppel or otherwise, to any intellectual property rights is granted under this document. If any part of this document refers to any third party products or services it shall not be deemed a license grant by ST for the use of such third party products or services, or any intellectual property contained therein or considered as a warranty covering the use in any manner whatsoever of such third party products or services or any intellectual property contained therein.

**UNLESS OTHERWISE SET FORTH IN ST'S TERMS AND CONDITIONS OF SALE ST DISCLAIMS ANY EXPRESS OR IMPLIED WARRANTY WITH RESPECT TO THE USE AND/OR SALE OF ST PRODUCTS INCLUDING WITHOUT LIMITATION IMPLIED WARRANTIES OF MERCHANTABILITY, FITNESS FOR A PARTICULAR PURPOSE (AND THEIR EQUIVALENTS UNDER THE LAWS OF ANY JURISDICTION), OR INFRINGEMENT OF ANY PATENT, COPYRIGHT OR OTHER INTELLECTUAL PROPERTY RIGHT.**

**ST PRODUCTS ARE NOT DESIGNED OR AUTHORIZED FOR USE IN: (A) SAFETY CRITICAL APPLICATIONS SUCH AS LIFE SUPPORTING, ACTIVE IMPLANTED DEVICES OR SYSTEMS WITH PRODUCT FUNCTIONAL SAFETY REQUIREMENTS; (B) AERONAUTIC APPLICATIONS; (C) AUTOMOTIVE APPLICATIONS OR ENVIRONMENTS, AND/OR (D) AEROSPACE APPLICATIONS OR ENVIRONMENTS. WHERE ST PRODUCTS ARE NOT DESIGNED FOR SUCH USE, THE PURCHASER SHALL USE PRODUCTS AT PURCHASER'S SOLE RISK, EVEN IF ST HAS BEEN INFORMED IN WRITING OF SUCH USAGE, UNLESS A PRODUCT IS EXPRESSLY DESIGNATED BY ST AS BEING INTENDED FOR "AUTOMOTIVE, AUTOMOTIVE SAFETY OR MEDICAL" INDUSTRY DOMAINS ACCORDING TO ST PRODUCT DESIGN SPECIFICATIONS. PRODUCTS FORMALLY ESCC, QML OR JAN QUALIFIED ARE DEEMED SUITABLE FOR USE IN AEROSPACE BY THE CORRESPONDING GOVERNMENTAL AGENCY.**

Resale of ST products with provisions different from the statements and/or technical features set forth in this document shall immediately void any warranty granted by ST for the ST product or service described herein and shall not create or extend in any manner whatsoever, any liability of ST.

ST and the ST logo are trademarks or registered trademarks of ST in various countries.

Information in this document supersedes and replaces all information previously supplied.

The ST logo is a registered trademark of STMicroelectronics. All other names are the property of their respective owners.

© 2014 STMicroelectronics - All rights reserved

STMicroelectronics group of companies

Australia - Belgium - Brazil - Canada - China - Czech Republic - Finland - France - Germany - Hong Kong - India - Israel - Italy - Japan - Malaysia - Malta - Morocco - Philippines - Singapore - Spain - Sweden - Switzerland - United Kingdom - United States of America

[www.st.com](http://www.st.com)

# Mouser Electronics

Authorized Distributor

Click to View Pricing, Inventory, Delivery & Lifecycle Information:

[STMicroelectronics:](#)

[ESDALC8-1BF4](#)