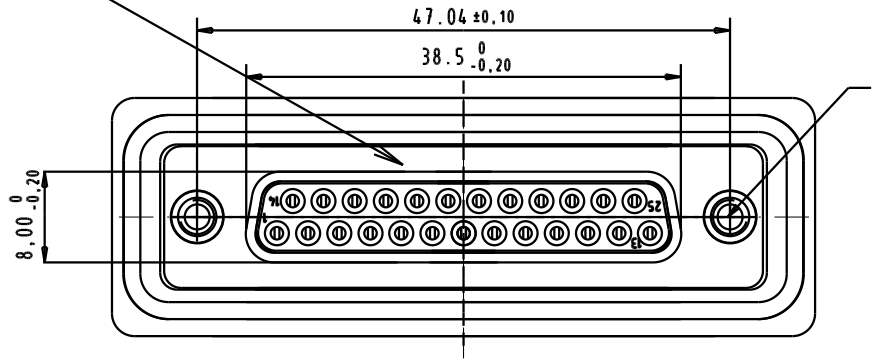
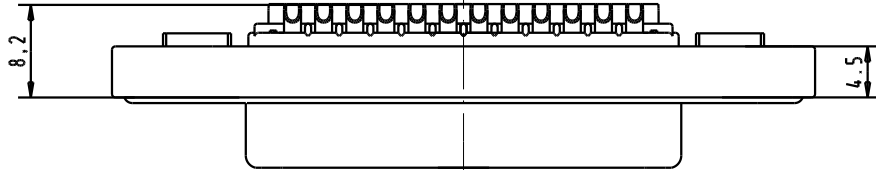
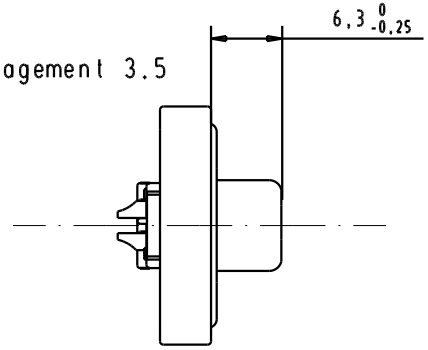


5 4 3 2 1

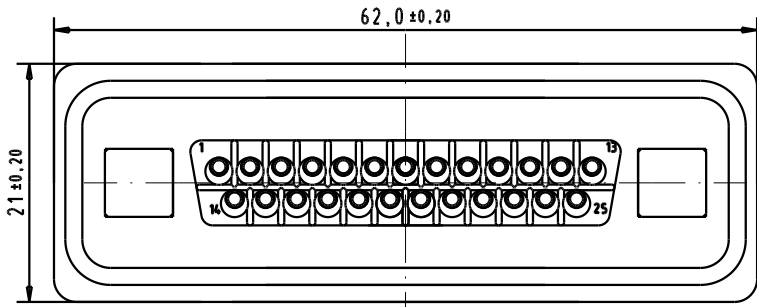
Mating face according to : MIL-C-24308 / DIN 41652 / CECC 75.01-802



4-40 UNC -2B  
length of engagement 3.5





- 1) Protection standard IP 67 according to IEC 529 / DIN 40050.
- 2) cable: AWG 20 max



D  
C  
B  
A

09 67 525 6715	Au plating 0,76 µm mini
Part Number	Performance Level

			Dat.	Name	 All Dim. in mm Orig. Size DIN A 4	
			Detail.	03/02/04		S.H.
			Insp.			
			Stand.			
31587	03/02/04	S.H.	HARTING ELEKTRONIK F-95972 Paris			
Mod.	Dat.	Name				

D-SUB IP67 female 25 Poles straight solder cup with 4-40 UNC nut with plastic frame	Moßstab/ Scale
TB 09 67 525 6715	Blatt / Page
Sub.	/

# Mouser Electronics

Authorized Distributor

Click to View Pricing, Inventory, Delivery & Lifecycle Information:

[HARTING:](#)

[09675256715](#)