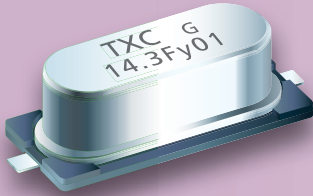


Metal Can Type Crystals HC-49S SMD AT Series



Features

- Surface-mount type crystal units.
- Wide operating temperature range.
- Superior and reliable performance in harsh environment.
- RoHS Compliant / Pb Free.

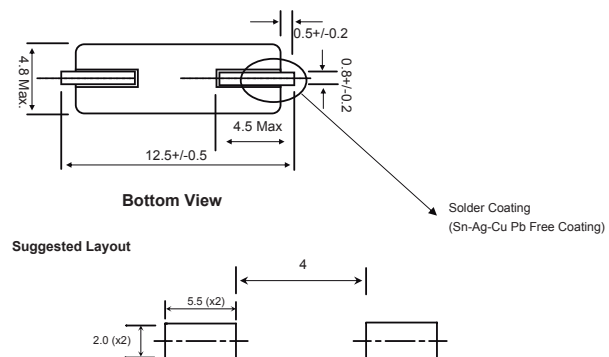
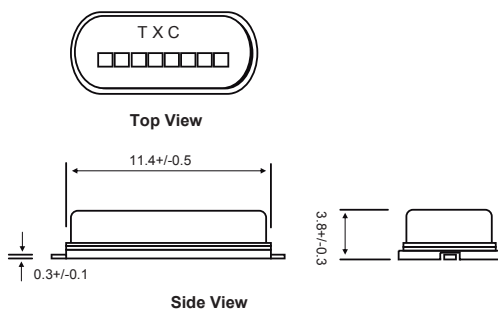
Electrical Specifications

Item / Type	AT
Frequency Range	4 MHz ~ 36 MHz
Overtone	Fundamental
Frequency Tolerance (at 25 °C)	± 30 ppm, ± 50 ppm
Frequency Stability Over Operating Temperature Range	± 80 ppm Max.
Operating Temperature Range	- 40 ~ +105 °C
Drive Level	10 μW (typical) ; 300 μW (Max.)
Load Capacitance	12 pF, or specify
Storage Temperature Range	- 40 ~ +105 °C
Reliability Standard	AEC-Q200

Equivalent Series Resistance(ESR)

Fundamental			
4 ~ 6 MHz	150 Ω Max.	12 ~ 16 MHz	60 Ω Max.
6 ~ 8 MHz	120 Ω Max.	16 ~ 32 MHz	50 Ω Max.
8 ~ 10 MHz	80 Ω Max.	32 ~ 36 MHz	120 Ω Max.
10 ~ 12 MHz	70 Ω Max.		

Dimensions



Remark : Specification subject to change without prior notice. Please confirm with our sales. <http://www.txccorp.com>