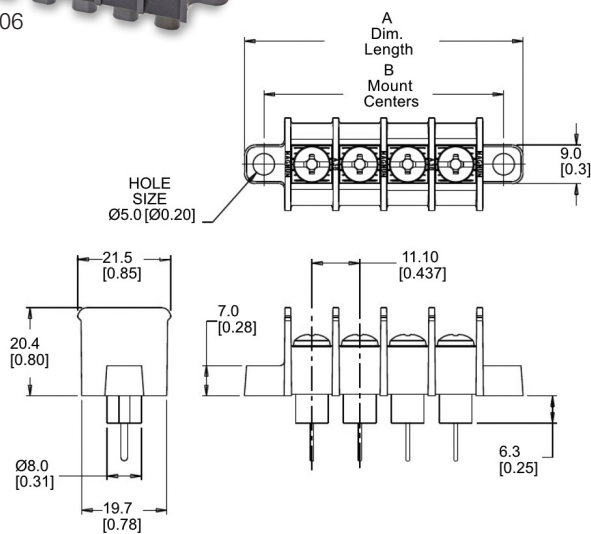


## Single Row Terminal Blocks

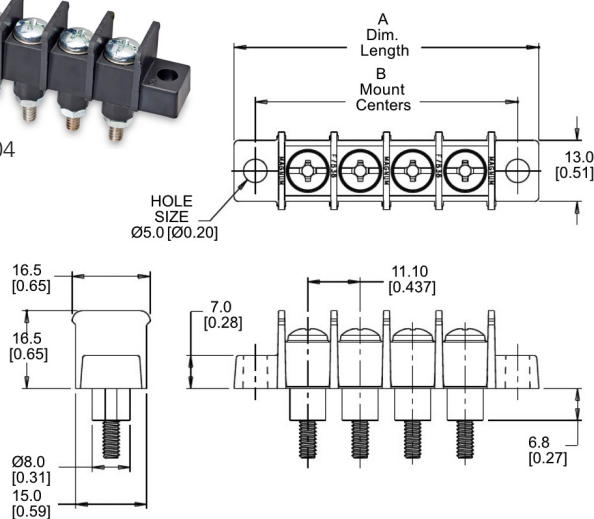
# A38 & B38

### Dimensions Inches (Millimeters)

#### A38



#### B38



### Specifications

**A38:** 30A, 600V

**B38:** 50A, 300V

**Center Spacing:** 0.437" (11.10mm)

**Wire Range:** A38: #10-22 AWG Cu; B38: #8-16 AWG

**Screw Size:** #8-32 zinc-plated steel

**Torque Rating:** A38: 9 lb-in; B38: 15 lb-in for #8, 9 lb-in for #6

**Base:** A38 Only: Standoffs standard for easy flux washing

**Distance Between Barriers:** 0.378" (9.60mm)

**Recommended PCB Hole Diameter (A38):** 0.076" (1.93mm)

**Operating Temperature:** 105°C (221°F) max to -40°C (-40°F)

**Molded Material:** Black, UL Rated 94V0 Thermoplastic

**Breakdown Voltage:** 5000V

**Agency Information:** UL File E62622, CSA File 47235; CE Certified

Poles	MOUNTING ENDS ONLY		BARRIER ENDS ONLY
	A Mounting Centers	"A" Dimension Length	"A" Dimension Length
02	1.31	1.67	0.93
03	1.75	2.10	1.37
04	2.19	2.54	1.81
05	2.62	2.98	2.25
06	3.06	3.41	2.68
07	3.50	3.85	3.12
08	3.93	4.29	3.56
09	4.37	4.72	3.99
10	4.81	5.16	4.43
11	5.24	5.60	4.87
12	5.68	6.04	5.30
13	6.12	6.47	5.74
14	6.56	6.91	6.18
15	6.99	7.35	6.61
16	7.43	7.78	7.05

Dimensions in inches. To convert to millimeters, multiply by 25.4.



Powering Business Worldwide

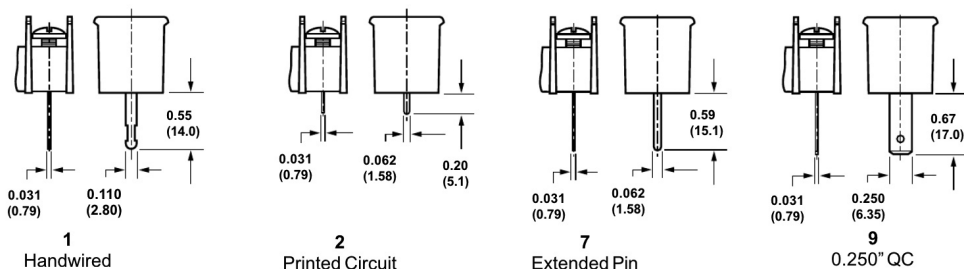
### Part Numbering System

Family	Terminal Style	Base/End	Poles	Screw Options	Options
A 3 8					
	1 - handwired* 2 - printed circuit 7 - extended wire wrap 9 - 0.250" QC*	1 - flat base, mount end 2 - flat base, barrier end 3 - insulator base** 4 - insulator base** barrier end	02 to 16	Blank - standard screw (steel zinc-plated, philslot BHMS) 04 - brass, nickel-plated, philslot BHMS 07 - steel, SEMS zinc-plated philslot screw	L1 to L6 marking options (pg 23) Covers - (pg 24)

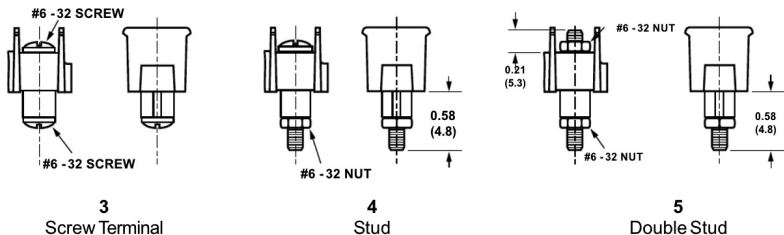
Family	Terminal Style	Base/End	Poles	Screw Options	Options
B 3 8					
	3 - screw terminal (#6-32 screw top & bottom) 4 - stud (#8-32 screw top, #6-32 stud bottom) 5* - double stud (#6-32 stud top & bottom) <i>*C360 Copper Alloy (bright tin plate)</i>	4 - insulator base, barrier end 9 - insulator base, mount end	02 to 16	Blank - standard screw (steel zinc-plated, philslot BHMS) 34** - #6-32 nickel-plated brass philslot BHMS <i>**Note: 34 screws only available with "3" terminal style</i>	L1 to L6 marking options (pg 23) Covers - (pg 24)

### A38 Terminal Styles Inches (Millimeters)

Wire ready screws standard

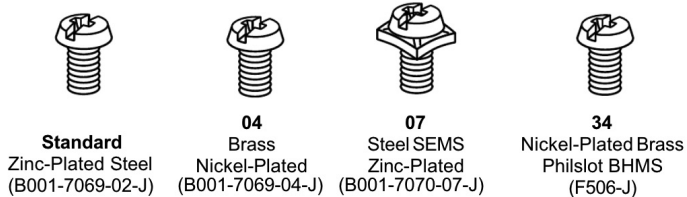


### B38 Terminal Styles



### Screw Options

(Bulk ordering part numbers are in parentheses)



# Mouser Electronics

Authorized Distributor

Click to View Pricing, Inventory, Delivery & Lifecycle Information:

## Eaton:

[A382203](#) [A381303](#) [B383906](#) [A389303](#) [A389102](#) [B385915](#) [A389304](#) [B383913](#) [B383916](#) [A387308](#) [B384903](#)  
[B384906](#) [A389305](#) [B383406](#) [B384402L5](#) [A382207](#) [B383416](#) [B385902](#) [B383904](#) [A382104](#) [B383912](#) [A382204](#)  
[A389103](#) [A389107](#) [A381108](#) [B384902](#) [A389308](#) [B384904](#) [B383903](#) [B383402](#) [B384408](#) [B384908](#) [A389306](#)  
[A389104](#) [B383905](#) [A381103](#) [B385904](#) [B383910](#) [B384402](#) [B385909](#) [B385912](#) [B384905](#) [B385906](#) [B383914](#)  
[B383908](#) [B384404](#) [A382209](#) [B384907](#) [A382202](#) [B383902](#) [A382212](#) [B385910](#)