

ATC — 32V, 1-40A, Fast-Acting



Description: A range of UL Recognized fast-acting ATC blade fuses for automotive and low-voltage control circuits.

Catalog Symbol: ATC-__

Ratings:

- Volts — 32Vdc
- Amps — 1-40A
- IR — 1kA

Agency Information:

- UL Recognized File E56412, Guide JFHR2, UL 248-1 (1-40A)
- ISO 8820-3 / SAE J1284 / JASO 612 (1-40A)
- SAE J1171 (Ignition Protection) (1-4A, 35-40A)

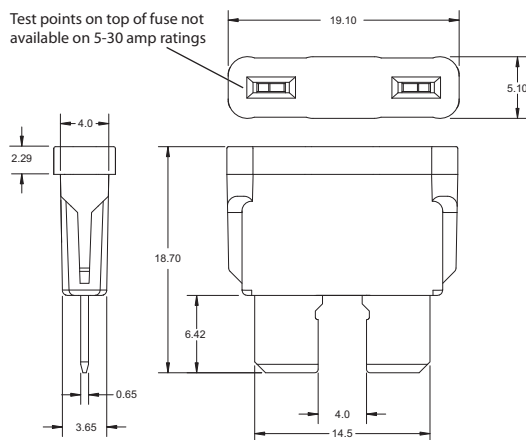
Materials:

- Terminals — Tin-plated zinc
- Element — Tin-plated zinc
- Housing — 1-4A Polycarbonate, UL 94 Flammability Rating
- 5-30A Polyamide, UL 94 Flammability Rating
- 35A Polysulfone, UL 94 Flammability Rating
- 40A Polyethersulfone, UL 94 Flammability Rating

Catalog Numbers (Amps)

Part Number (Amp)	Fuse Body Color Code	Part Number (Amp)	Fuse Body Color Code
ATC-1	Black	ATC-15	Blue
ATC-2	Gray	ATC-20	Yellow
ATC-3	Violet	ATC-25	Clear
ATC-4	Pink	ATC-30	Green
ATC-5	Tan	ATC-35	Blue/Green
ATC-7½	Brown	ATC-40	Orange
ATC-10	Red		

Dimensions - mm



Dimensions shown are basic for all ampacities.

Electrical Characteristics @23°C*

% of Fuse Amp Rating	Operating Time (sec)	
	Min	Max
110	100 Hrs	—
135	0.75	120 (240**)
160	0.25	50
200	0.15	5
350	0.04	0.5
600	0.02	0.1

* Fuse derating with change in ambient temperature = -0.15% / 1°C
 ** 135% Operating time of less than 4 amps.

Environmental:

- Operating Temperature Range -40°C to 100°C, 95% RH non-condensing
- Storage Temperature Range -5°C to 35°C or lower, 85% RH non-condensing

Applications:

- Automotive circuits
- Low voltage control circuits

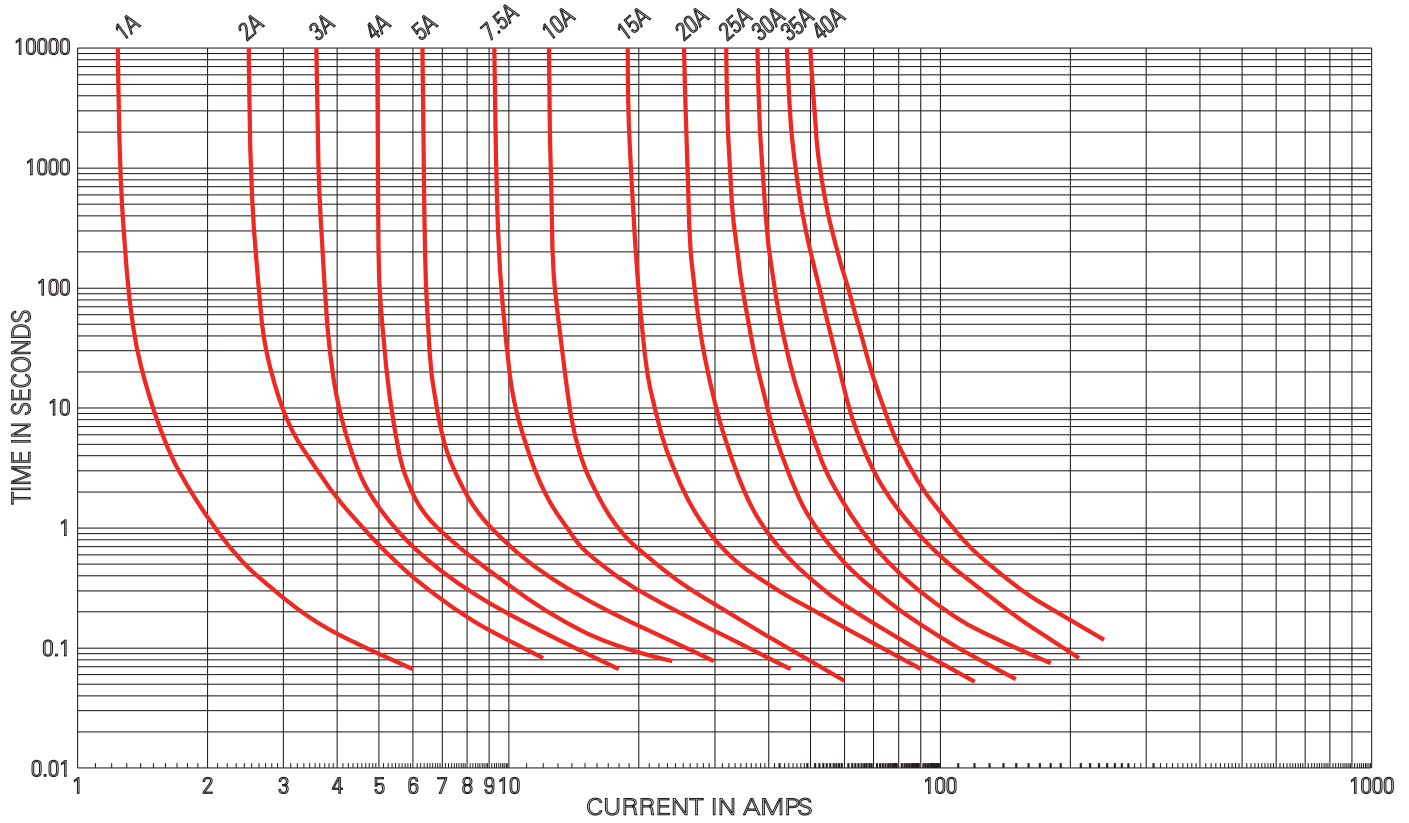
Recommended Fuse Panels, Holders and Fuseclips

Part No.	Description	Max Amps	Lead Wire Length/Size
15600- -20	ATC Fuse panel in 4- to 20-poles	20A	—
HHC	Yellow, water resistant in-line fuse holder	20A	2x4"/#16
HHH	Black, heavy-duty in-line fuse holder	30A	2x4"/#12
HHF	Black, in-line fuse holder w/cover	20A	2x4"/#14
HHG	Black, heavy-duty in-line fuse holder w/cover	30A	2x4"/#12
HHR	Heavy-duty, water resistant in-line fuse holder	30A	2x5"/#12
BP/HHS-RP	Self-stripping in-line fuse holder	20A	#18 to #14
BP/HHA-RP	Add-A-Circuit Tap	10A	N/A
ATC-FHID	Illuminating in-line fuse holder	20A	2x6"/#16
1A5600*	PCB Fuseclip	20A	—
1A5780*	PCB Fuseclip	15A	—

* See Data Sheet # 2131 for details.

ATC — 32V, 1-40A, Fast-Acting

Time-Current Characteristic Curves — Average Melt



The only controlled copy of this Data Sheet is the electronic read-only version located on the Bussmann Network Drive. All other copies of this document are by definition uncontrolled. This bulletin is intended to clearly present comprehensive product data and provide technical information that will help the end user with design applications. Bussmann reserves the right, without notice, to change design or construction of any products and to discontinue or limit distribution of any products. Bussmann also reserves the right to change or update, without notice, any technical information contained in this bulletin. Once a product has been selected, it should be tested by the user in all possible applications.

Mouser Electronics

Authorized Distributor

Click to View Pricing, Inventory, Delivery & Lifecycle Information:

[Eaton:](#)

[ATC-1](#) [ATC-2](#) [ATC-35](#) [ATC-3](#) [ATC-10](#) [ATC-15](#) [ATC-20](#) [ATC-25](#) [ATC-30](#) [ATC-4](#) [ATC-40](#) [ATC-5](#)