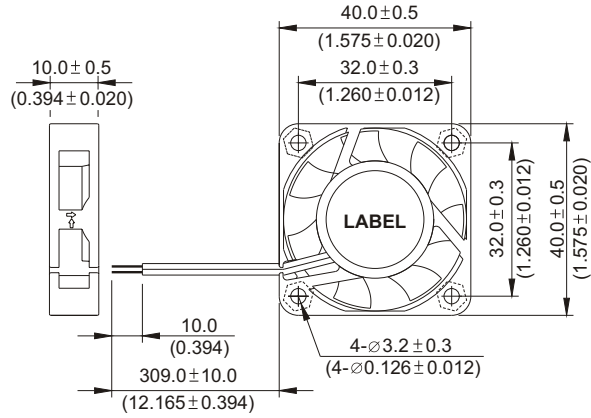


New



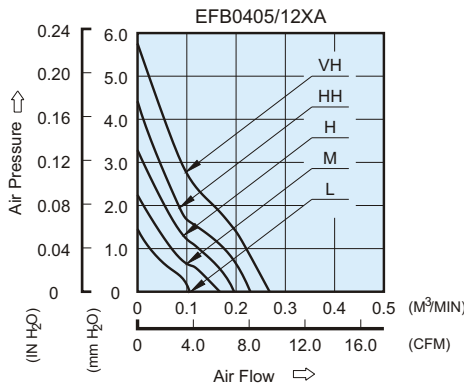
EFB 40 x 40 x 10 MM SERIES

DIMENSIONS DRAWING

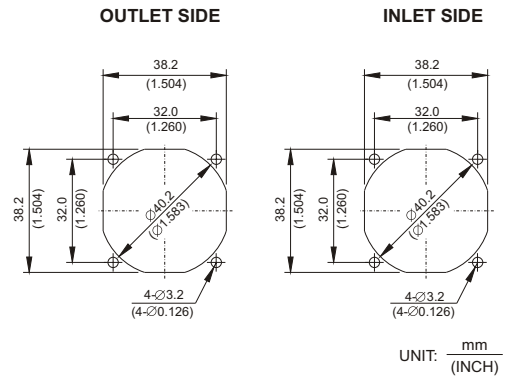


- * Bearing Type
Ball Bearings
- * Material
Impeller & Frame : Plastic(UL 94V-0)
- * Lead Wires :
UL 1007 AWG #28 OR Equivalent
Red Wire Positive(+)
Black Wire Negative(-)
- * Weight : 14.5g (0.51 OZ)
- * Rib Type Only

P & Q CURVE (AT RATED VOLTAGE)



MOUNTING PANEL CUTOUT



MODEL		Rated Voltage	Operating Voltage Range	Rated Current	Rated Input Power	Speed	Maximum Air Flow		Maximum Air Pressure		Noise
PART NO.	FUNCTION	VDC	VDC	Amp	Watt	R.P.M.	M ³ /min	CFM	mmH ₂ O	IN H ₂ O	dB-A
EFB0405LA	-R00 / -F00	5	4.5 to 5.5	0.07	0.35	4000	0.106	3.74	1.45	0.057	20.5
EFB0412LA	-R00 / -F00	12	7.0 to 13.8	0.05	0.60	5000	0.167	5.90	2.24	0.088	24.5
EFB0405MA	-R00 / -F00	5	4.5 to 5.5	0.10	0.50	6000	0.196	6.92	3.28	0.129	28.5
EFB0412MA	-R00 / -F00	12	7.0 to 13.8	0.06	0.72	7000	0.229	8.09	4.42	0.174	33.0
EFB0405HA	-R00 / -F00	5	4.5 to 5.5	0.13	0.65	8000	0.268	9.46	5.76	0.227	37.5
EFB0412HA	-R00 / -F00	12	7.0 to 13.8	0.08	0.96						
EFB0405HHA	-R00 / -F00	5	4.5 to 5.5	0.19	0.95						
EFB0412HHA	-R00 / -F00	12	7.0 to 13.8	0.10	1.20						
EFB0412VHA	-R00 / -F00	12	7.0 to 13.8	0.15	1.80						

* Function type is optional.
 * The max. air flow and the speed are measured in free air ; max. air pressure is measured at zero air flow.
 * Noise is measured in anechoic chamber in free air, one meter from intake side.
 * All readings are typical values at rated voltage.
 * Specifications are subject to change without notice.

Mouser Electronics

Authorized Distributor

Click to View Pricing, Inventory, Delivery & Lifecycle Information:

Delta Electronics:

[EFB0412HHA](#) [EFB0412MA](#) [EFB0412LA](#) [EFB0405HHA-F00](#) [EFB0412MA-R00](#) [EFB0412HA](#) [EFB0412HA-R00](#)
[EFB0405LA](#) [EFB0405HA](#) [EFB0405LA-R00](#) [EFB0405VHA](#) [EFB0405HHA-R00](#) [EFB0405MA-R00](#) [EFB0405MA](#)
[EFB0405HA-F00](#) [EFB0405LA-F00](#) [EFB0405HA-R00](#) [EFB0405VHA-R00](#) [EFB0405HHA](#) [EFB0405MA-F00](#)
[EFB0405VHA-F00](#)