

**Ultra-Small Built-In Delay
High-Precision Voltage Detector**

LR8809 Series

■ INTRODUCTION

The LR8809 Series is a series of high-precision voltage detectors with a built-in delay time generator of fixed time. developed using CMOS process.

The detection voltage is fixed internally, with an accuracy of $\pm 2.0\%$. Internal oscillator and counter timer can delay the release signal without external parts, delay times 200 ms
Two output forms, NMOS open-drain and CMOS output are available.

■ APPLICATIONS

- Memory battery back-up circuits
- Power-on reset circuits
- Power failure detection
- Power monitor for portable equipment such as notebook computers, digital cameras, PDA, and cellular phones.
- Constant voltage power monitors for cameras, video equipment and communication devices.
- Power monitor for microcomputers and reset for CPUs.

■ FEATURES

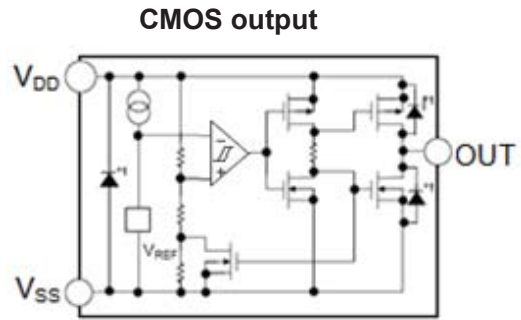
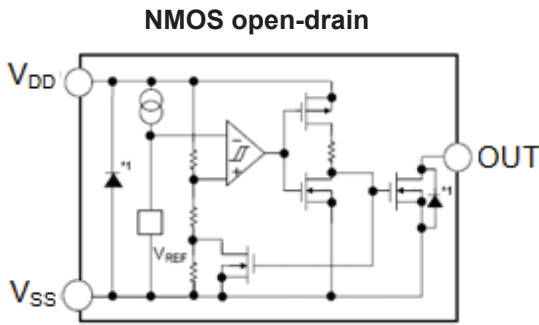
- Ultra-low current consumption:
0.9 μ A@3.5V(Typ.)
- High-precision detection voltage: $\pm 2.0\%$
- Hysteresis characteristics: $-V_{DET} \times 5\%$ (Typ.)
- Operating voltage range: 0.95V to 7.0V
- Detection voltage: 1.5V to 6.0V (10mV step)
- Delay time: 210 ms (Typ.)
- Output forms:
NMOS open-drain output (Active Low)
CMOS output (Active Low)

■ ORDER INFORMATION

LR8809①②③④⑤

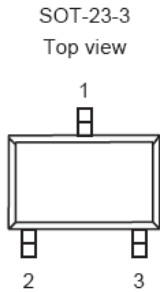
DESIGNATOR	SYMBOL	DESCRIPTION
①	C	CMOS
	N	NMOS open drain
②③④	Integer	Detection Voltage (1.50V~6.00V), “④”elide when it is “0” e.g. 3.0V=②:3, ③:0 2.93V=②:2, ③:9, ④:3
⑤	M/MA/ML	Package: SOT-23-3
	MR	Package: SOT-23-5
	P	Package: SOT-89-3
	E	Package: SOT-23-6
	MB/MAB/MLB	Package: SOT-23

■ BLOCK DIAGRAMS



■ PIN CONFIGURATION

LR8809 Series (SOT-23-3/SOT-23)

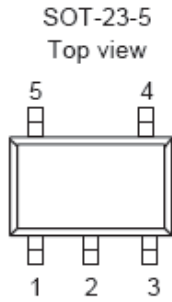


PIN NO.	M/MB	MA/MAB	ML/MLB	FUNCTION
1	V _{DD}	V _{DD}	-	Voltage input pin
	-	-	V _{SS}	Ground
2	V _{OUT}	-	V _{OUT}	Voltage detection output pin
	-	V _{SS}	-	Ground
3	V _{SS}	-	-	Ground
	-	V _{OUT}	-	Voltage detection output pin
	-	-	V _{DD}	Voltage input pin



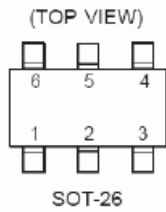
LR8809 Series (SOT-89-3)

PIN NO.	P	FUNCTION
1	V _{OUT}	Voltage detection output pin
2	V _{DD}	Voltage input pin
3	V _{SS}	Ground



LR8809 Series (SOT23-5)

PIN NO.	MR	FUNCTION
1	V_{OUT}	Voltage detection output pin
2	V_{DD}	Voltage input pin
3	V_{SS}	Ground
4	NC	No connection
5	NC	No connection



LR8809 Series (SOT23-6)

PIN NO	E	FUNCTION
1	NC	No Connection
2	VSS	Ground
3	VOUT	Voltage detection output pin
4	VDD	Voltage input pin
5	NC	No Connection
6	NC	No Connection

■ ABSOLUTE MAXIMUM RATINGS

($T_a=25^{\circ}\text{C}$, unless otherwise specified)

PARAMETER		SYMBOL	RATINGS	UNITS
Power supply voltage		V_{DD}	$V_{SS}-0.3 \sim V_{SS}+8$	V
Output voltage		V_{OUT}	$V_{SS}-0.3 \sim V_{SS}+8$	V
Power dissipation	SOT-23-3	PD	250	mW
	SOT-89		500	mW
Operating ambient temperature		T_{opr}	$-40 \sim +105$	$^{\circ}\text{C}$
Storage temperature		T_{stg}	$-40 \sim +125$	$^{\circ}\text{C}$
Soldering Temperature & Time		T_{solder}	$260^{\circ}\text{C}, 10\text{s}$	

■ ELECTRICAL CHARACTERISTICS

(Ta=25°C, unless otherwise specified)

PARAMETER	SYMBOL	CONDITIONS		MIN	TYP	MAX	UNITS
Detection voltage*1	$-V_{DET}$	—		$-V_{DET(S)}$ $\times 0.98$	$-V_{DET(S)}$	$-V_{DET(S)}$ $\times 1.02$	V
Hysteresis width	V_{HYS}	—		$0.02 \times$ $-V_{DET(S)}$	$0.05 \times$ $-V_{DET(S)}$	$0.08 \times$ $-V_{DET(S)}$	V
Current consumption	I_{SS}	$V_{DD} = -V_{DET} + 0.5V$	LR8809 C/N20~26	—	1.0	3.0	uA
			LR8809 C/N 26~39	—	1.2	3.2	uA
			LR8809 C/N 39~60	—	1.5	3.5	uA
Operating voltage	V_{DD}	—		0.95	—	7	V
Output current	I_{OUT}	NMOS: $V_{OUT} = 0.5 V$ $V_{DD} = -V_{DET} - 0.5 V$	LR8809 C/N 20~26	3.0	13.0	—	mA
			LR8809 C/N 26~39	3.0	15.0	—	mA
			LR8809 C/N 39~60	3.0	18.0	—	mA
		PMOS: $V_{DD} - V_{OUT} = 0.5 V$ $V_{DD} = -V_{DET} + 0.5 V$	LR8809 C/N 20~26	1.5	4.0	—	mA
			LR8809 C/N 26~39	1.5	6.0	—	mA
			LR8809 C/N 39~60	1.5	8.0	—	mA
Leakage current	I_{LEAK}	Only for NMOS open-drain output products, $V_{DD} = 8.0 V, V_{OUT} = 8.0 V$		□	—	1.0	uA
temperature coefficient		$T_a = -40^\circ C \sim +85^\circ C$		—	± 120	± 360	ppm/ $^\circ C$
Delay time	T_{PLH}			130	210	290	ms

 *1. $-V_{DET}$: Actual detection voltage value, $-V_{DET(S)}$: Specified detection voltage value

■ FUNCTIONAL DESCRIPTION

1. When a voltage higher than the release voltage ($+V_{DET}$) is applied to the voltage input pin (V_{DD}), the voltage will gradually fall. When a voltage higher than the detect voltage ($-V_{DET}$) is applied to V_{DD} , output (V_{OUT}) will be equal to the input at V_{DD} .

Note that high impedance exists at V_{OUT} with the N-channel open drain configuration. If the pin is pulled up, V_{OUT} will be equal to the pull up voltage.

2. When V_{DD} falls below $-V_{DET}$, V_{OUT} will be equal to the ground voltage (V_{SS}) level (detect state).

Note that this also applies to N-channel open drain configurations.

3. When V_{DD} falls to a level below that of the minimum operating voltage (V_{MIN}) output will become unstable.

Because the output pin is generally pulled up with N-channel open drain configurations, output will be equal to pull up voltage.

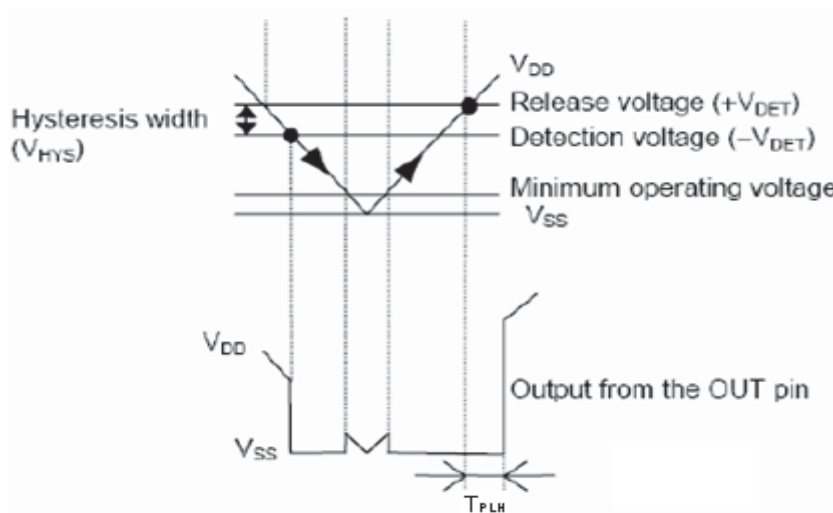
4. When V_{DD} rises above the V_{SS} level (excepting levels lower than minimum operating voltage), V_{OUT} will be equal to V_{SS} until V_{DD} reaches the $+V_{DET}$ level.

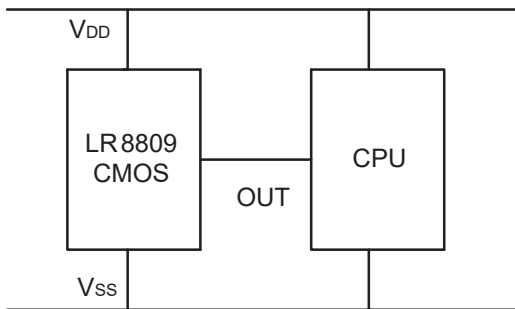
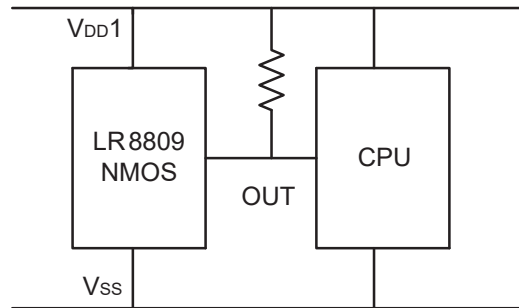
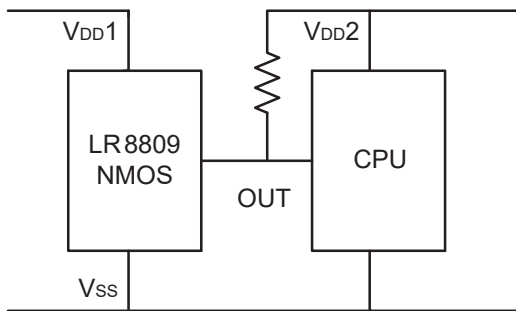
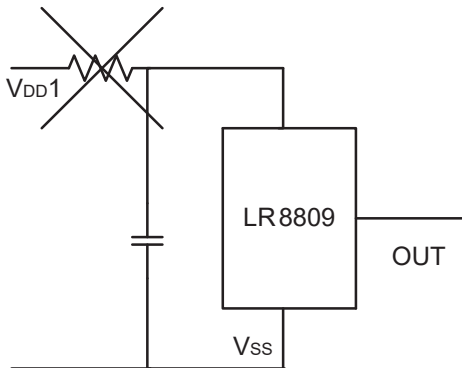
5. Although V_{DD} will rise to a level higher than $+V_{DET}$, V_{OUT} maintains ground voltage level via the delay circuit.

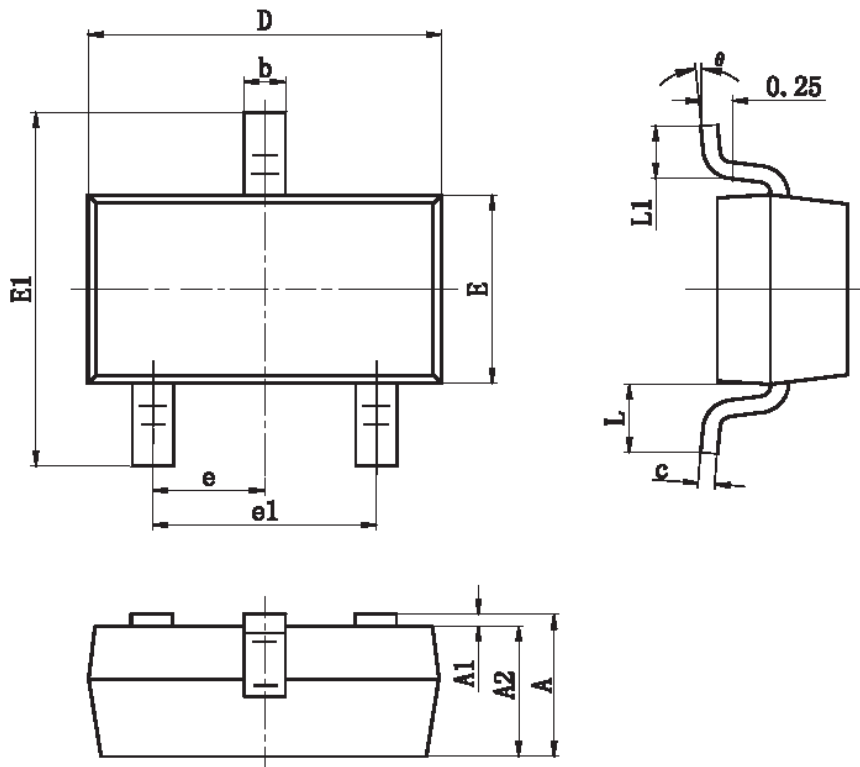
6. Following transient delay time, V_{DD} will be output at V_{OUT} .

Note that high impedance exists with the N-channel open drain configuration and that

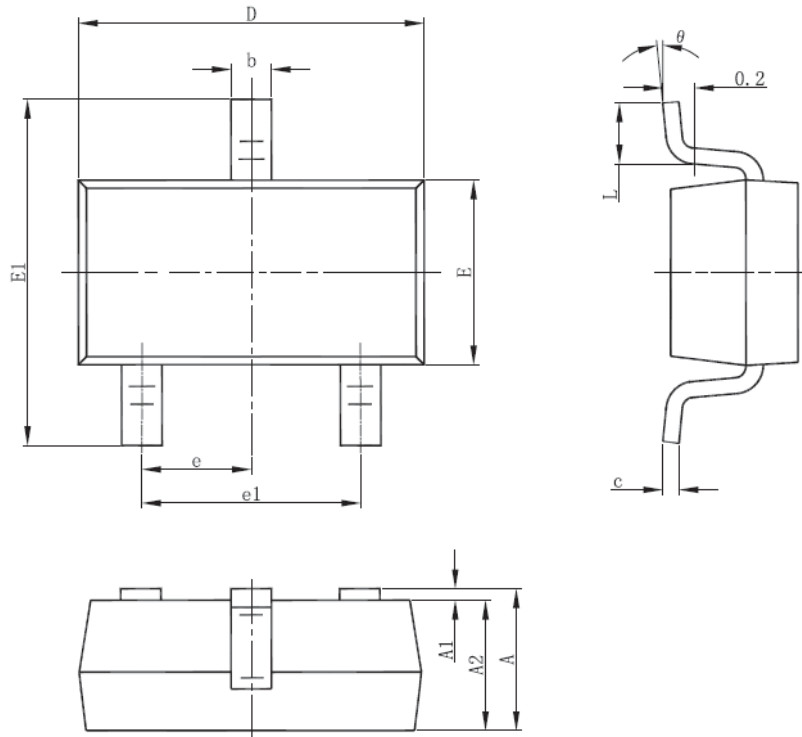
voltage will be dependent on pull up



■ TYPICAL APPLICATION CIRCUITS**1、CMOS output:****2、NMOS open-drain****3. Forbidden Circuits**

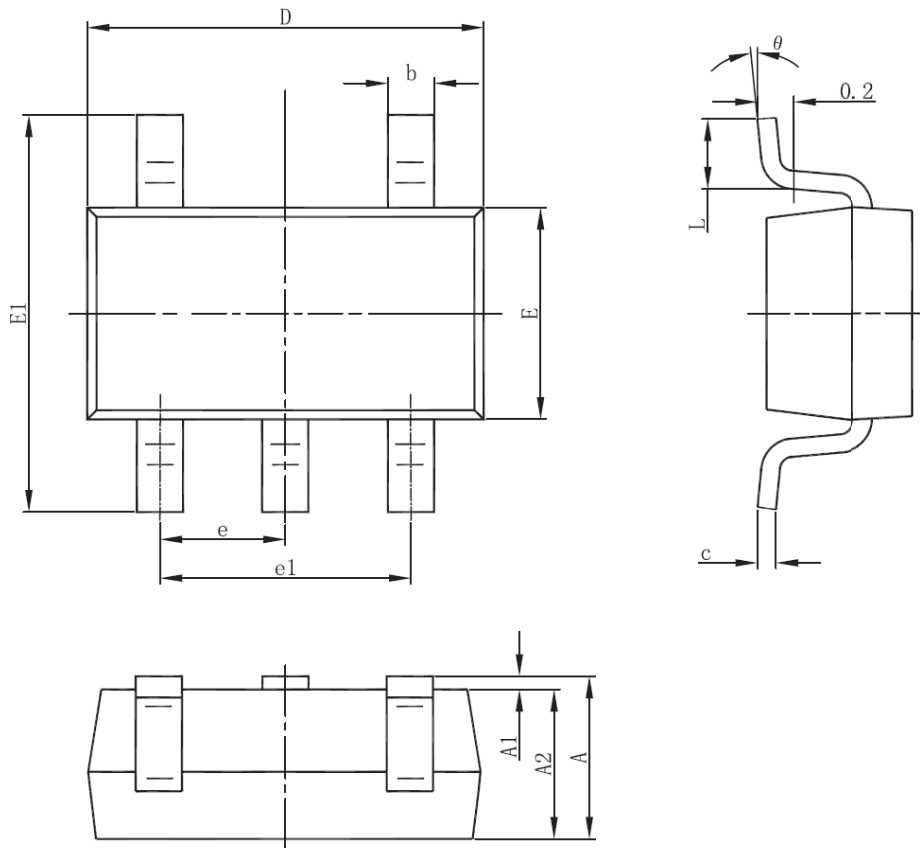
■ PACKAGING INFORMATION
● SOT-23


Symbol	Dimensions In Millimeters		Dimensions In Inches	
	Min	Max	Min	Max
A	0.900	1.150	0.035	0.045
A1	0.000	0.100	0.000	0.004
A2	0.900	1.050	0.035	0.041
b	0.300	0.500	0.012	0.020
c	0.080	0.150	0.003	0.006
D	2.800	3.000	0.110	0.118
E	1.200	1.400	0.047	0.055
E1	2.250	2.550	0.089	0.100
e	0.950 TYP		0.037 TYP	
e1	1.800	2.000	0.071	0.079
L	0.550 REF		0.022 REF	
L1	0.300	0.500	0.012	0.020
θ	0°	8°	0°	6°

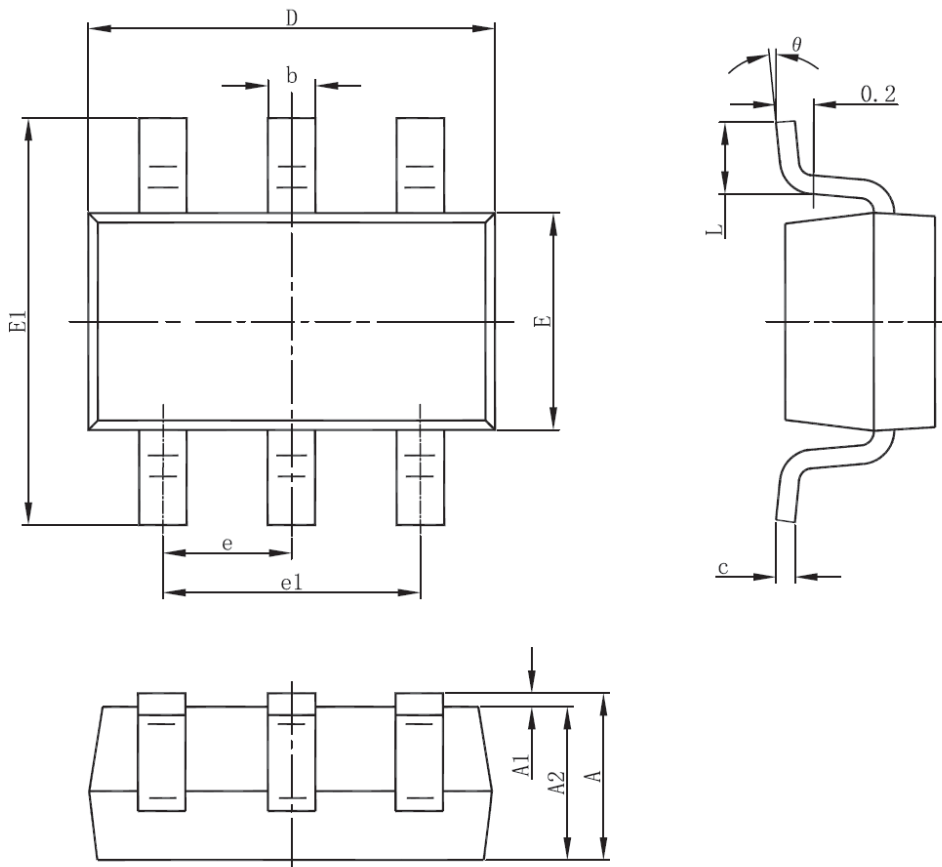
• SOT-23-3


Symbol	Dimensions In Millimeters		Dimensions In Inches	
	Min	Max	Min	Max
A	1.050	1.250	0.041	0.049
A1	0.000	0.100	0.000	0.004
A2	1.050	1.150	0.041	0.045
b	0.300	0.500	0.012	0.020
c	0.100	0.200	0.004	0.008
D	2.820	3.020	0.111	0.119
E	1.500	1.700	0.059	0.067
E1	2.650	2.950	0.104	0.116
e	0.950(BSC)		0.037(BSC)	
e1	1.800	2.000	0.071	0.079
L	0.300	0.600	0.012	0.024
θ	0°	8°	0°	8°

• SOT-23-5

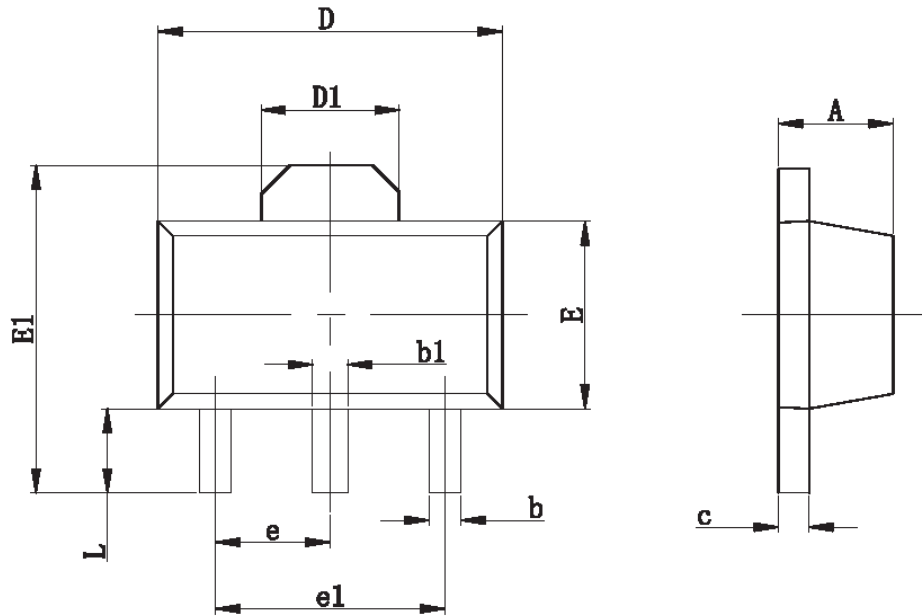


Symbol	Dimensions In Millimeters		Dimensions In Inches	
	Min	Max	Min	Max
A	1.050	1.250	0.041	0.049
A1	0.000	0.100	0.000	0.004
A2	1.050	1.150	0.041	0.045
b	0.300	0.500	0.012	0.020
c	0.100	0.200	0.004	0.008
D	2.820	3.020	0.111	0.119
E	1.500	1.700	0.059	0.067
E1	2.650	2.950	0.104	0.116
e	0.950(BSC)		0.037(BSC)	
e1	1.800	2.000	0.071	0.079
L	0.300	0.600	0.012	0.024
θ	0°	8°	0°	8°

• SOT-23-6


Symbol	Dimensions In Millimeters		Dimensions In Inches	
	Min	Max	Min	Max
A	1.050	1.250	0.041	0.049
A1	0.000	0.100	0.000	0.004
A2	1.050	1.150	0.041	0.045
b	0.300	0.500	0.012	0.020
c	0.100	0.200	0.004	0.008
D	2.820	3.020	0.111	0.119
E	1.500	1.700	0.059	0.067
E1	2.650	2.950	0.104	0.116
e	0.950(BSC)		0.037(BSC)	
e1	1.800	2.000	0.071	0.079
L	0.300	0.600	0.012	0.024
θ	0°	8°	0°	8°

• SOT-89-3



Symbol	Dimensions In Millimeters		Dimensions In Inches	
	Min	Max	Min	Max
A	1.400	1.600	0.055	0.063
b	0.320	0.520	0.013	0.197
b1	0.400	0.580	0.016	0.023
c	0.350	0.440	0.014	0.017
D	4.400	4.600	0.173	0.181
D1	1.550 REF		0.061 REF	
E	2.300	2.600	0.091	0.102
E1	3.940	4.250	0.155	0.167
e	1.500 TYP		0.060TYP	
e1	3.000 TYP		0.118TYP	
L	0.900	1.200	0.035	0.047