


NOTES: UNLESS OTHERWISE SPECIFIED

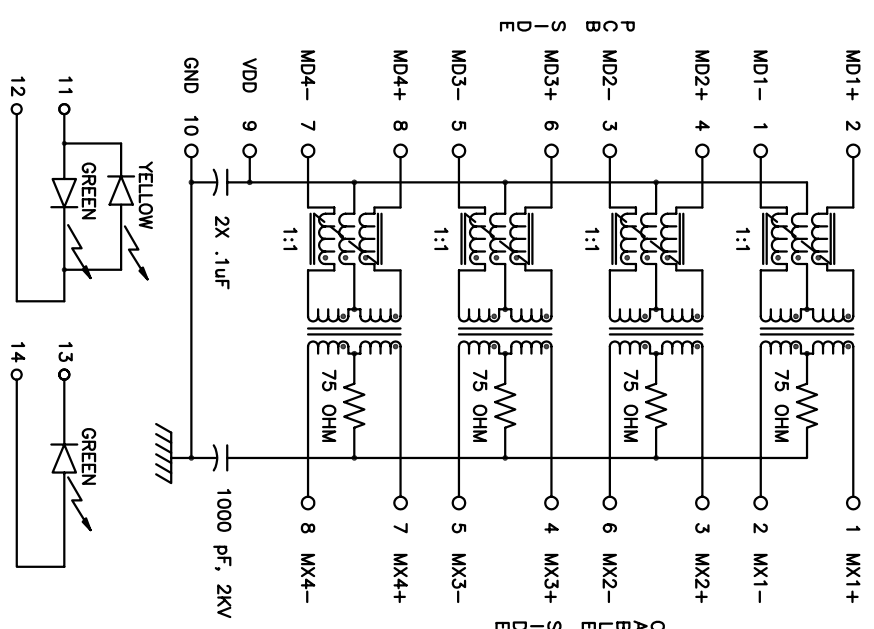
1. THIS COMPONENT CONFORMS TO UL60950. UL FILE NO. IS: E216117.

|   |   |   |
|---|---|---|
|  | <b>WARNING:</b> THIS COMPONENT IS RECOGNIZED BY ONE OR MORE SAFETY AGENCIES SUCH AS UL, VDE, CSA AND/OR TUV. ALL ENGINEERING CHANGES MUST HAVE PRIOR APPROVAL BY THE DESIGN CENTER QUALITY DEPARTMENT FOR SAFETY AGENCY COMPLIANCE. | <b>SEE APPROVAL:</b><br>QA APPROVAL:<br>GREEN |
|   |   |   |

|  |  |
|--|--|
| <b>NOTICE:</b>   | THIS IS A RoHS COMPLIANT COMPONENT/PRODUCT. ALL ENGINEERING CHANGES MUST HAVE PRIOR APPROVAL BY THE DESIGN CENTER. |
|  |  |

- 2.
3. PLASTIC HOUSING: THERMOPLASTIC MATERIAL WITH FLAMMABILITY RATING UL 94V-0 OR BETTER.
4. CONTACT BASE MATERIAL: PHOSPHOR BRONZE.
5. CONTACTS UNDERPLATE: 50 MICRONS DUCTILE NICKEL.
6. CONTACTS PLATING: 50 MICRO-INCH GOLD PLATING.
7. SOLDER TAIL PLATING MATERIAL: 200-500 INCHES 100% TIN, MATTE FINISH.
8. METAL SHIELD: NICKEL PLATING ON COPPER ALLOY.
9. JACK CAVITY CONFORMS TO FCC RULES AND REGULATIONS PART 68 SUBPART F.
10. PCB PLATING: ENIG.
11. SOLDERABILITY: CONFORMS TO ANSI/J-STD-002, IPC/EIA J-STD-003A.
12. OPERATING TEMPERATURE: 0°C TO +70°C
13. STORAGE TEMPERATURE: -20°C TO +125°C
14. JEDEC MOISTURE: LEVEL 1.
15. DIMENSIONS ARE IN INCHES [MILLIMETERS] WITH THE FOLLOWING TOLERANCES: [MILLIMETERS] ARE FOR REFERENCE ONLY.  
XX= ±.02 [±0.5]  
.XXX= ±.010 [±0.25]

NOTE 1: HIGH-VOLTAGE CAPACITOR IS COMMON FOR UPPER AND LOWER PORTS.



SCHEMATIC  
EACH PORT (2 PLACES)

ELECTRICAL CHARACTERISTICS AT +25°C UNLESS OTHER SPECIFIED (FOR REFERENCE ONLY. USED FOR CUSTOMER INFORMATION.)

| PARAMETER                               | SPECIFICATIONS |  |
|---|----------------|--|
| OPERATING TEMP                          | 0°C ~ 70°C     |  |
| TURNS RATIO                             | 1 : 1 ±2%      |  |
| POLARITY                                | PER SCHEMATIC  |  |
| INSERTION LOSS                          | 100 KHz        | 1-100 MHz  |
|   | -1.2 DB MAX    | -0.2-0.002*f <sup>1.4</sup> DB MAX                       |
|   | -1.4-40 MHz    | 40-100 MHz   |
| RETURN LOSS (Z OUT=100 OHM ±15%)        | -16 DB MIN     | -10+20*LOG <sub>10</sub> (f/80 MHz) DB MIN               |
| INDUCTANCE (OCL) (MEDIA SIDE, 0°C-70°C) | 350 uH MIN     | (MEASURED AT 100 KHz, 100 mV(RMS) AND WITH 8 mA DC BIAS) |
| CROSSTALK, ADJACENT CHANNELS            | 1 MHz          | 10-100 MHz   |
|   | -50 DB MIN     | -52+22*LOG <sub>10</sub> (f/10) DB MIN                   |
| COMMON MODE REJECTION RATIO             | 2 MHz          | 30-200 MHz   |
| INPUT - OUTPUT ISOLATION                | -50 DB MIN     | -15+20*LOG <sub>10</sub> (f/200) DB MIN                  |
|   |                | 2250 VDC MINIMUM FOR 60 SECONDS                          |

NOTE: f IS FREQUENCY IN MHZ.

| EMITTED COLOR          | BI-COLOR              |                       | SINGLE-COLOR      |
|------------------------|-----------------------|-----------------------|-------------------|
|                        | GREEN                 | YELLOW                |                   |
| WAVELENGTH (nm)        | 565 nm                | 585 nm                | 568 nm            |
| BRIGHTNESS (mcd)       | 8 TO 12 TYP. AT 20 mA | 8 TO 12 TYP. AT 20 mA | 8.5 TYP. AT 20 mA |
| VIEWING ANGLE          | 100°                  |                       | 100°              |
| POWER DISSIPATION (Pd) | 68 mW MAX             | 68 mW MAX             | 85 mW MAX         |
| DC FORWARD CURRENT     | 25 mA MAX             | 30 mA MAX             | 30 mA MAX         |
| REVERSE VOLTAGE (Vr)   | 5.0 V MAX             | 5.0 V MAX             | 5.0 V MAX         |

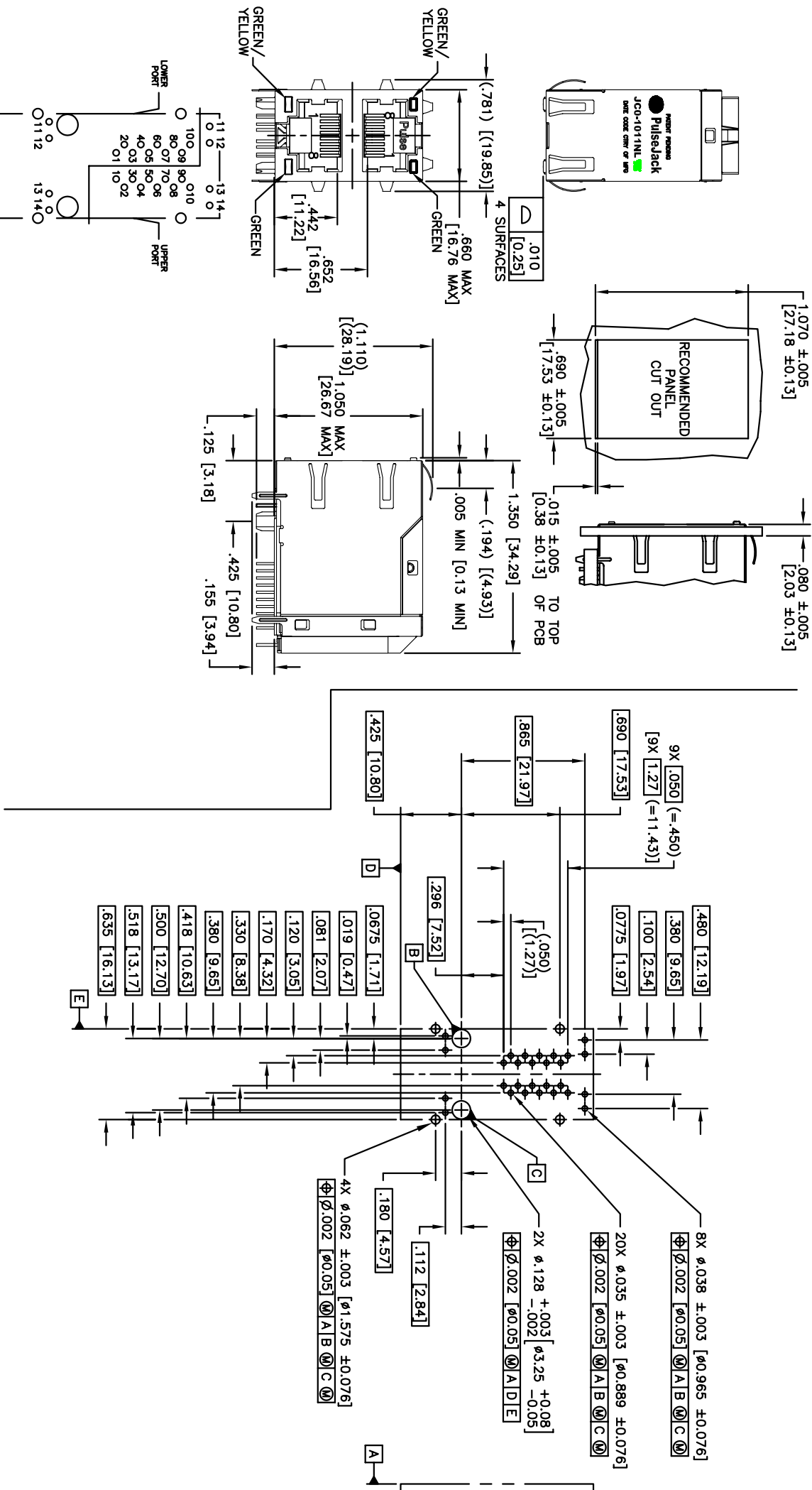
NOTE: PER VENDORS SPECIFICATIONS

© Copyright, 2010. Pulse Engineering, Inc. All rights reserved. Drawing specifications subject to change without notice. (09/15/10)

|  |                          |               |        |                    |      |
|--|--------------------------|---------------|--------|--------------------|------|
| PULSE CONFIDENTIAL<br>&<br>PROPRIETARY | PRODUCT DESCRIPTION      | PS DRAWING    | SHEET: | DWG. NO./ PART NO. | REV. |
|  | CONN,RJ45,1GD,2X1,1:1,TY | PS-2316.004-A | 1      | JC0-1011NL         | M10  |



**Pulse**  
A TECHNICAL COMPANY  
www.pulseeng.com



© Copyright, 2010, Pulse Engineering, Inc. All rights reserved. Drawing specifications subject to change without notice. (09/15/10)

PULSE CONFIDENTIAL  
&  
PROPRIETARY

PRODUCT DESCRIPTION  
CONN,RJ45,1GD,2X1,1:1,TY

PS DRAWING  
PS-2316.004-A

SHEET:  
2

DWG. NO. / PART NO.  
JCO-1011NL

REV.  
M10