

CUSTOMER PRINT

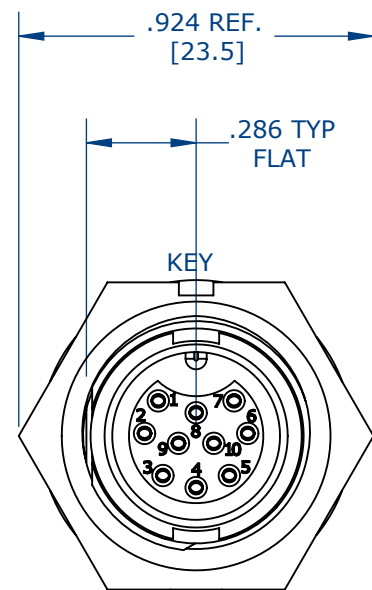
W7882-10SG-3XX

PART NUMBER:

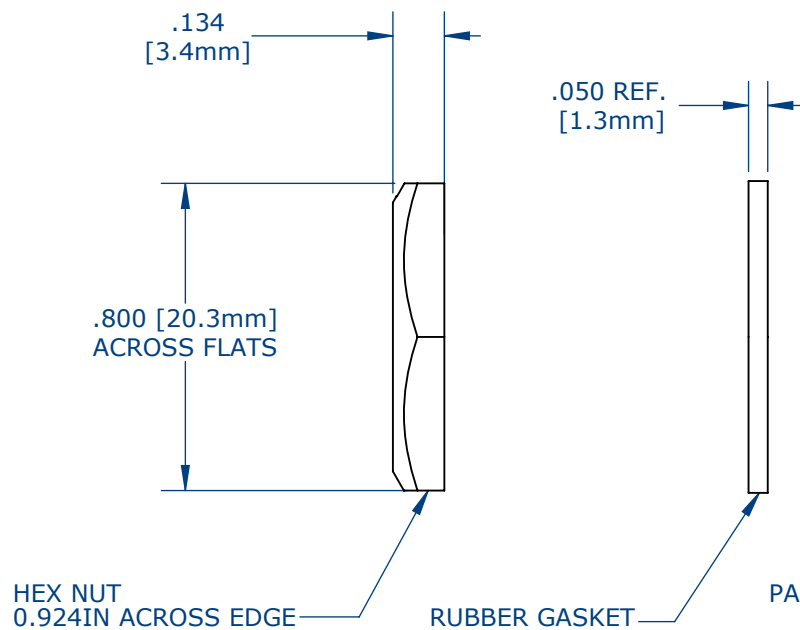
NOTES:

1. SOLDER CUP SOCKET CONTACTS ARE INSTALLED (SHOWN)
2. ALL DIMENSIONS ARE FOR REFERENCE.

ASS'Y P/N	EPOXY
W7882-10SG-300	NO
W7882-10SG-3ES	YES



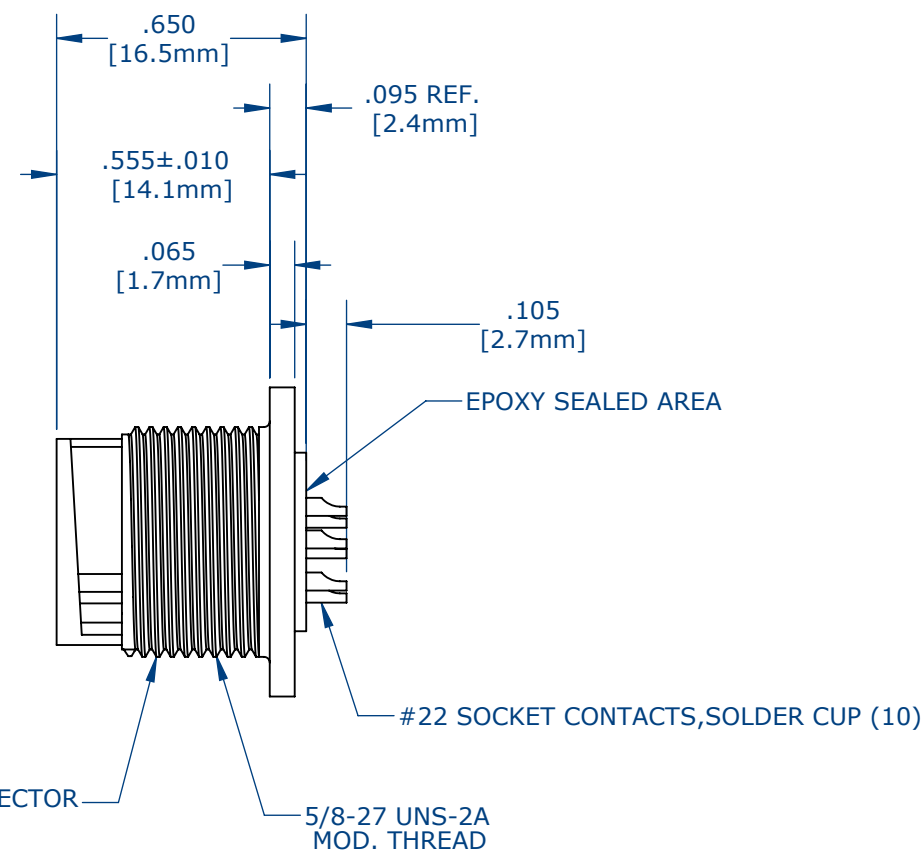
FACE VIEW
7882-10SG-300 SHOWN



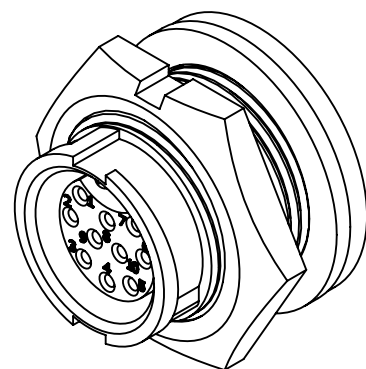
HEX NUT
0.924IN ACROSS EDGE

RUBBER GASKET

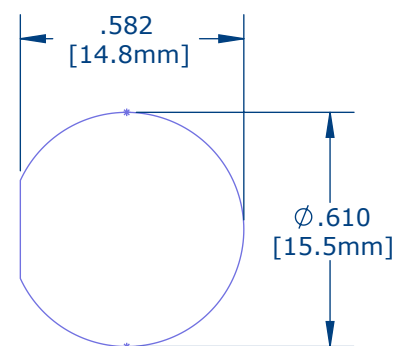
PANEL CONNECTOR



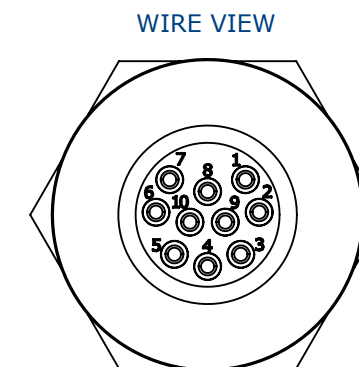
5/8-27 UNS-2A
MOD. THREAD



ASSEMBLED VIEW
FOR CUSTOMER REFERENCE



RECOMMENDED
PANEL CUT-OUT
TOLERANCE: ±.003



WIRE VIEW

CUSTOMER APPROVAL

THIS DOCUMENT CONTAINS CONFIDENTIAL INFORMATION PROPRIETARY TO CONXALL CORPORATION. ANY REPRODUCTION, DISCLOSURE, OR USE OF THIS DOCUMENT /INFORMATION IS EXPRESSLY PROHIBITED UNLESS AUTHORIZED IN WRITING BY CONXALL CORPORATION.

APPROVED BY: _____
DATE: _____

RoHS COMPLIANT

CUSTOMER DRAWING

0A	AM	04/05/16	FIRST DRAWN
REV.	INIT.	DATE	DESCRIPTION
			ORIG. DRAWN BY: AM DATE: 04/05/16
ALL INFORMATION ILLUSTRATED IS THE PROPERTY OF CONXALL CORPORATION. UNAUTHORIZED DUPLICATION OR DISTRIBUTION OF THIS DOCUMENT IS PROHIBITED.			<p>601 E. WILDWOOD VILLA PARK, IL 60181</p>
ALL UNITS ARE IN FEET, INCHES, FRACTION OF INCHES AND DECIMALS. UNLESS OTHERWISE SPECIFIED TOLERANCES: 3 PLACE DECIMALS ±.005 ANGLES ±1° FRACTIONS ±1/16 - CRITICAL CHARACTERISTIC FLAG PER SPEC. XXXX			
APPROVED BY:		TITLE: PANEL CONNECTOR ASSEMBLY (10) #22 SOCKET CONTACT, SOLDER MINI-CON-X	
SCALE	SIZE	SHEET	CUSTOMER: STANDARD PRODUCT
NTS	B	1 OF 1	
FILE:	DIRECTORY:	PART NUMBER:	REV
	SLW	W7882-10SG-3XX	0A

Mouser Electronics

Authorized Distributor

Click to View Pricing, Inventory, Delivery & Lifecycle Information:

[Switchcraft:](#)

[W7882-10SG-300](#)