

NOTES:

1. ALL PARTS TO BE BULK PACKED.
2. CONTACTS ARE SUPPLIED UNASSEMBLED
3. ALL DIMENSIONS ARE REFERENCE ONLY EXCEPT THOSE WITH A TOLERANCE
4. DIMENSIONS IN BRACKETS [] ARE IN MILLIMETERS

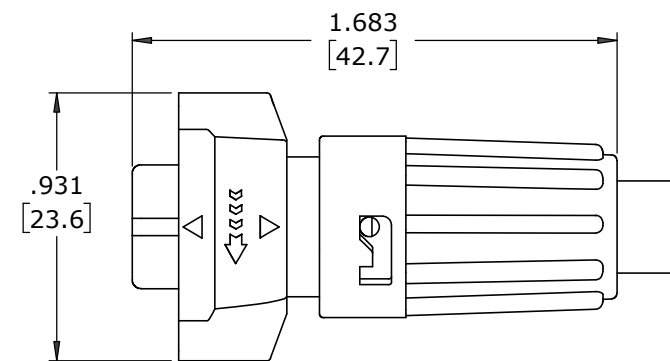
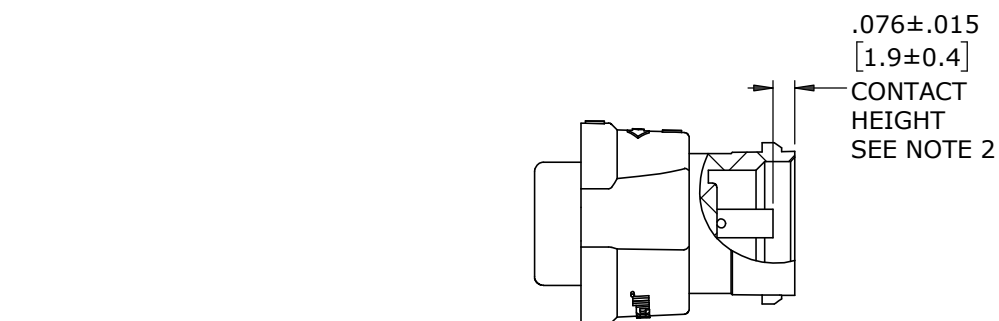
(B)

ASS'Y P/N	GROMMET SIZE
W6380-XPG-P-513	.148 GROMMET I.D. FOR CABLE O.D. 0.13 - 0.15 [3.3 - 3.8]
W6380-XPG-P-516	.176 GROMMET I.D. FOR CABLE O.D. 0.16 - 0.18 [4.1 - 4.6]
W6380-XPG-P-519	.206 GROMMET I.D. FOR CABLE O.D. 0.19 - 0.21 [4.8 - 5.3]
W6380-XPG-P-522	.245 GROMMET I.D. FOR CABLE O.D. 0.22 - 0.25 [5.6 - 6.3]
W6380-XPG-P-526	.265 GROMMET I.D. FOR CABLE O.D. 0.25 - 0.27 [6.3 - 6.8]
W6380-XPG-P-528	.280 GROMMET I.D. FOR CABLE O.D. 0.26 - 0.28 [6.6 - 7.1]

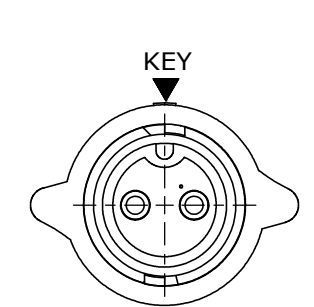
ASSEMBLY P/N	CONTACTS
W6380-2PG-P-5XX	2 #16
W6380-3PG-P-5XX	3 #16
W6380-4PG-P-5XX	4 #16
W6280-XPG-P-5XX	

GROMMET SIZE

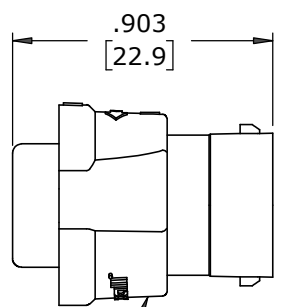
NUMBER OF CONTACTS



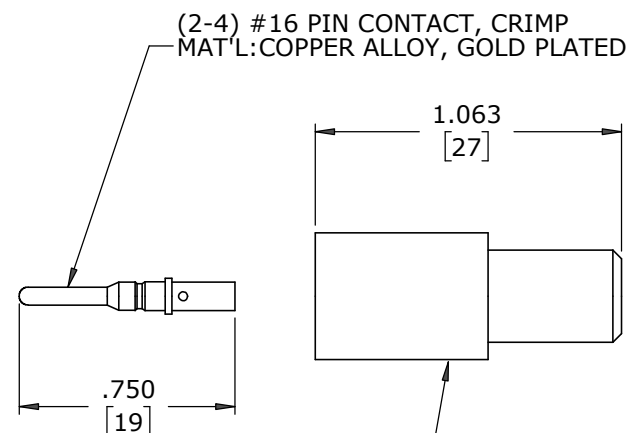
SHOWN ASSEMBLED
FOR CUSTOMER REFERENCE ONLY



MATING FACE
W6380-2PG-P-5XX SHOWN

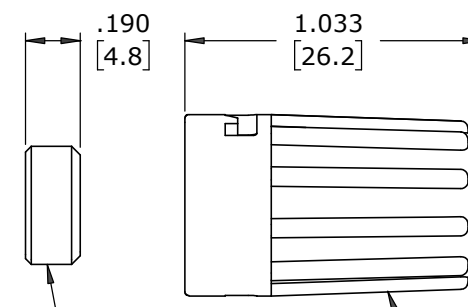


CABLE-END HOUSING
MAT'L: UV PBT, BLACK
COUPLING RING
MAT'L: UV PBT, BLACK
O-RING
MAT'L: SILICONE, RED
SPRING
MAT'L: STAINLESS STEEL



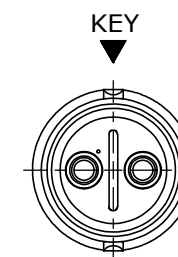
(2-4) #16 PIN CONTACT, CRIMP
MAT'L: COPPER ALLOY, GOLD PLATED

GROMMET
MAT'L: SANTOPRENE, BLACK

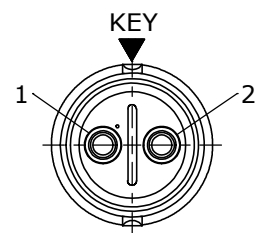


CABLE GRIP
MAT'L: POLYPROPYLENE, BLACK

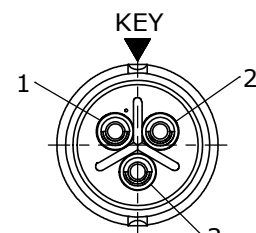
BACKSHELL
MAT'L: UV PBT, BLACK



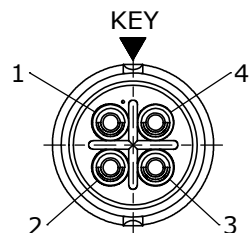
WIRING END
W6380-2PG-P-5XX SHOWN
WITHOUT HARDWARE



WIRING END
W6380-2PG-P-5XX



WIRING END
W6380-3PG-P-5XX



WIRING END
W6380-4PG-P-528

CUSTOMER APPROVAL

THIS DOCUMENT CONTAINS CONFIDENTIAL INFORMATION PROPRIETARY TO CONXALL CORPORATION. ANY REPRODUCTION, DISCLOSURE, OR USE OF THIS DOCUMENT / INFORMATION IS EXPRESSLY PROHIBITED UNLESS AUTHORIZED IN WRITING BY CONXALL CORPORATION.

APPROVED BY: _____
DATE: _____

RoHS COMPLIANT

B	MA	02-24-21	ADDED W6380-XPG-P-526 TO CHART PER ECR 9544
A	MA	03-02-20	RELEASED PER PDR 16014-7
	PNK	01-15-18	PDR 16014
REV.	INIT.	DATE	DESCRIPTION
			ALL INFORMATION ILLUSTRATED IS THE PROPERTY OF "CONXALL CORPORATION". UNAUTHORIZED DUPLICATION OR DISTRIBUTION OF THIS DOCUMENT IS PROHIBITED.
			ORIG. DRAWN BY: PNK DATE: 01-15-18
			CHECKED BY:
			APPROVED BY:
			ALL UNITS ARE IN FEET, INCHES, FRACTIONS OF INCHES AND DECIMALS.
			SCALE: NTS SIZE: B SHEET: 1 OF 1
			FILE: W6380-XPG-P-5XX DIRECTORY: SLW
			TITLE: CABLE-END ASSEMBLY 2-4 #16 PIN CONTACTS, CRIMP INSTA-CLICK™ MINI-CON-X STANDARD PRODUCT
			CUSTOMER: _____
			PART NUMBER: W6380-XPG-P-5XX
			REV B



601 E. WILDWOOD VILLA PARK, IL 60181

Mouser Electronics

Authorized Distributor

Click to View Pricing, Inventory, Delivery & Lifecycle Information:

Switchcraft:

[W6380-3PG-P-522](#) [W6380-3PG-P-526](#) [W6380-2PG-P-513](#) [W6380-4PG-P-526](#) [W6380-4PG-P-528](#) [W6380-2PG-P-519](#) [W6380-3PG-P-528](#) [W6380-4PG-P-516](#) [W6380-4PG-P-513](#) [W6380-3PG-P-519](#) [W6380-4PG-P-522](#) [W6380-2PG-P-526](#) [W6380-2PG-P-528](#) [W6380-2PG-P-516](#) [W6380-3PG-P-513](#) [W6380-2PG-P-522](#) [W6380-3PG-P-516](#) [W6380-4PG-P-519](#)