

CUSTOMER PRINT

PART NUMBER: W6280-XSG-P-3XX

NOTES:

1. ALL PARTS TO BE BULK PACKED.
2. CONTACTS SUPPLIED UNASSEMBLED
3. ALL DIMENSIONS ARE REFERENCE EXCEPT THOSE WITH A TOLERANCE
4. DIMENSIONS IN BRACKETS [] ARE IN MILLIMETERS

ASS'Y P/N	GROMMET SIZE
W6280-XSG-P-311	CABLE O.D. .09-.14 [2.3 - 3.6]
W6280-XSG-P-315	CABLE O.D. .15-.17 [3.8 - 4.3]
W6280-XSG-P-318	CABLE O.D. .18-.20 [4.6 - 5.1]
W6280-XSG-P-321	CABLE O.D. .21-.23 [5.3 - 5.8]

ASSEMBLY P/N	CONTACTS
W6280-2SG-P-3XX	2 #20
W6280-3SG-P-3XX	3 #20
W6280-4SG-P-3XX	4 #20
W6280-5SG-P-3XX	5 #20
W6280-6SG-P-3XX	6 #20
W6280-7SG-P-3XX	7 #20
W6280-8SG-P-3XX	8 #20
W6280-XSG-P-3XX	

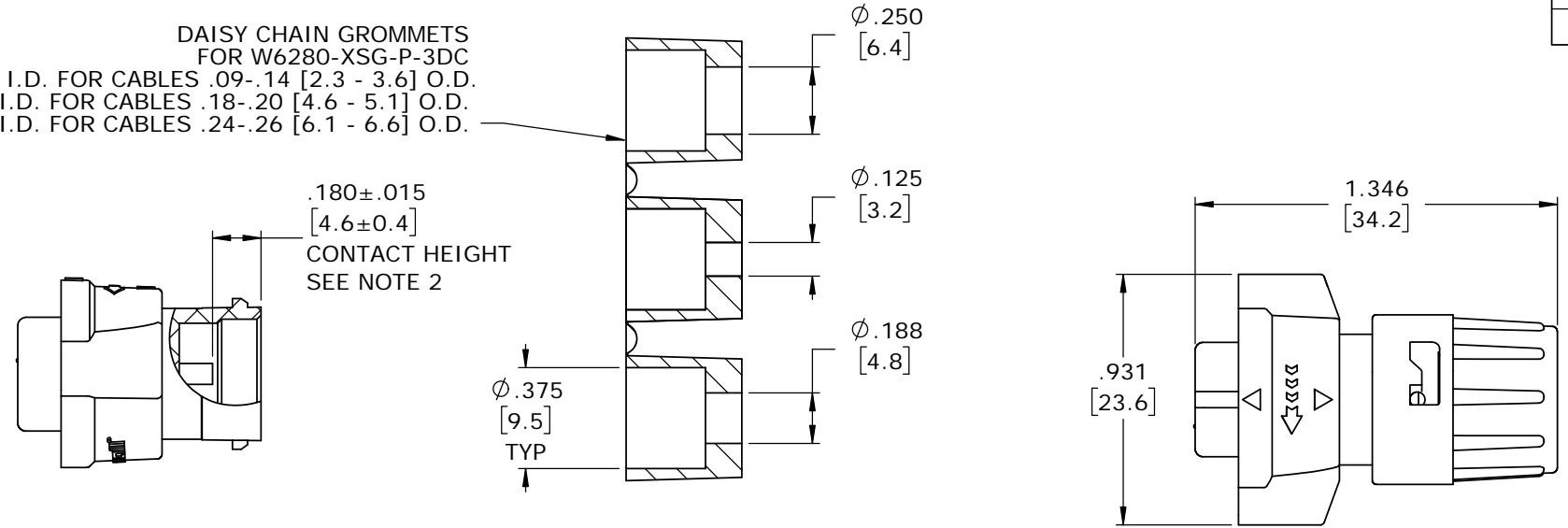
CUSTOMER APPROVAL

THIS DOCUMENT CONTAINS CONFIDENTIAL INFORMATION PROPRIETARY TO CONXALL CORPORATION. ANY REPRODUCTION, DISCLOSURE, OR USE OF THIS DOCUMENT /INFORMATION IS EXPRESSLY PROHIBITED UNLESS AUTHORIZED IN WRITING BY CONXALL CORPORATION.

APPROVED BY: _____

DATE: _____

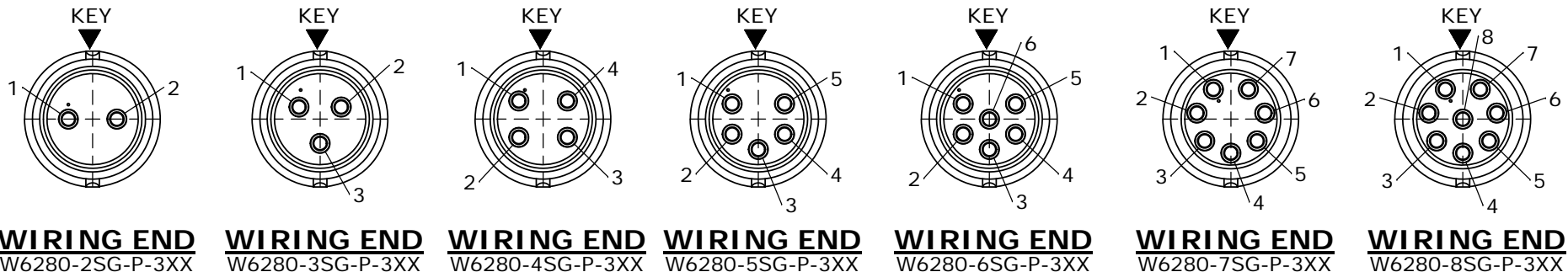
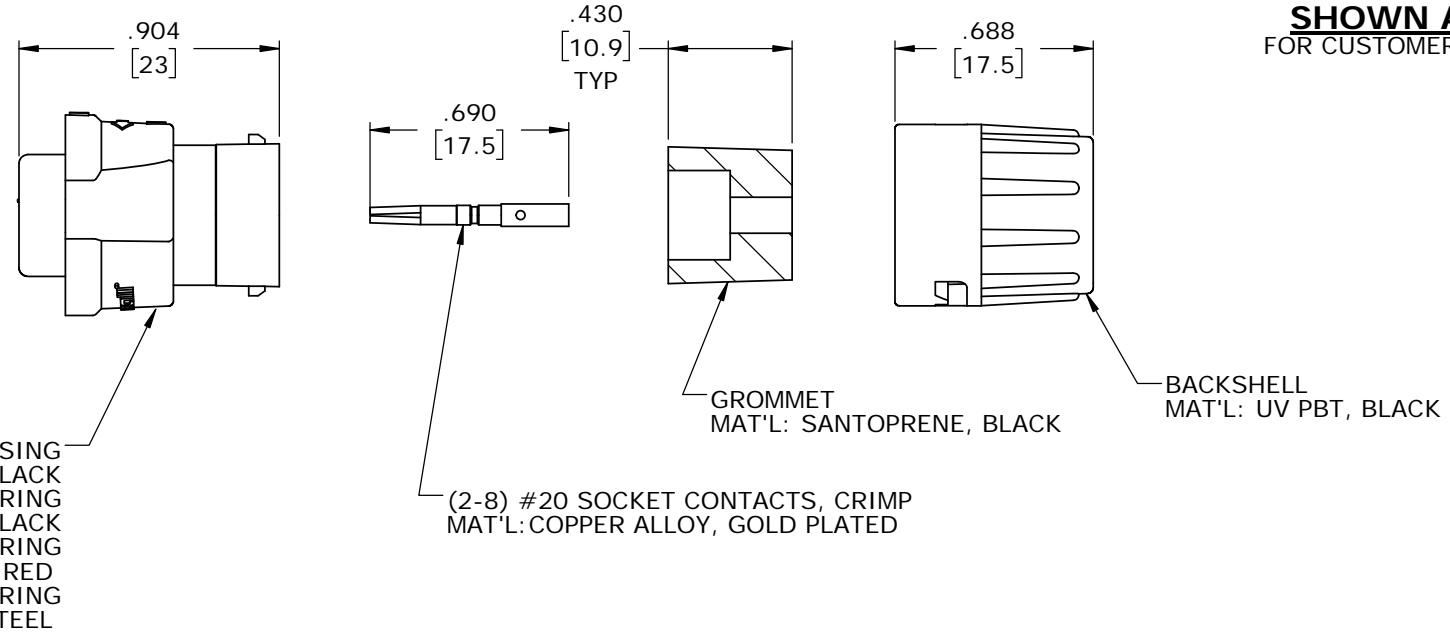
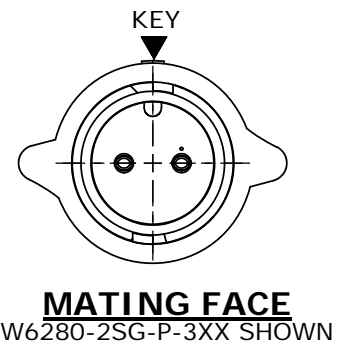
DAISY CHAIN GROMMETS FOR W6280-XSG-P-3DC
 .125 I.D. FOR CABLES .09-.14 [2.3 - 3.6] O.D.
 .188 I.D. FOR CABLES .18-.20 [4.6 - 5.1] O.D.
 .250 I.D. FOR CABLES .24-.26 [6.1 - 6.6] O.D.



SHOWN ASSEMBLED
FOR CUSTOMER REFERENCE ONLY

GROMMET SIZE FOR SINGLE GROMMET OR "DC" FOR DAISY CHAIN

NUMBER OF CONTACTS



RoHS COMPLIANT

MA	02-28-20	RELEASED PER PDR 16014-7
A	PNK	11-25-19
	PNK	05-10-19
REV.	INIT.	DATE
ALL INFORMATION ILLUSTRATED IS THE PROPERTY OF CONXALL CORPORATION. UNAUTHORIZED DUPLICATION OR DISTRIBUTION OF THIS DOCUMENT IS PROHIBITED.		ORIG. DRAWN BY: PNK
		DATE: 05-10-19
		CHECKED BY:
ALL UNITS ARE IN FEET, INCHES, FRACTION OF INCHES AND DECIMALS. UNLESS OTHERWISE SPECIFIED TOLERANCES: 3 PLACE DECIMALS ±.010 ANGLES ±1° FRACTIONS ±1/16 - CRITICAL CHARACTERISTIC FLAG PER SPEC. XXXX		APPROVED BY:
SCALE	SIZE	SHEET
NTS	B	1 OF 1
FILE: W6280-XSG-P-3XX	DIRECTORY: SLW	PART NUMBER: W6280-XSG-P-3XX
TITLE: CABLE-END ASSEMBLY 2-8 #20 SOCKET CONTACTS, CRIMP INSTA-CLICK™ MINI-CON-X		REV A
CUSTOMER: STANDARD PRODUCT		

Mouser Electronics

Authorized Distributor

Click to View Pricing, Inventory, Delivery & Lifecycle Information:

Switchcraft:

[W6280-7SG-P-3DC](#) [W6280-3SG-P-321](#) [W6280-2SG-P-3DC](#) [W6280-4SG-P-3DC](#) [W6280-3SG-P-3DC](#) [W6280-8SG-P-3DC](#) [W6280-6SG-P-3DC](#)