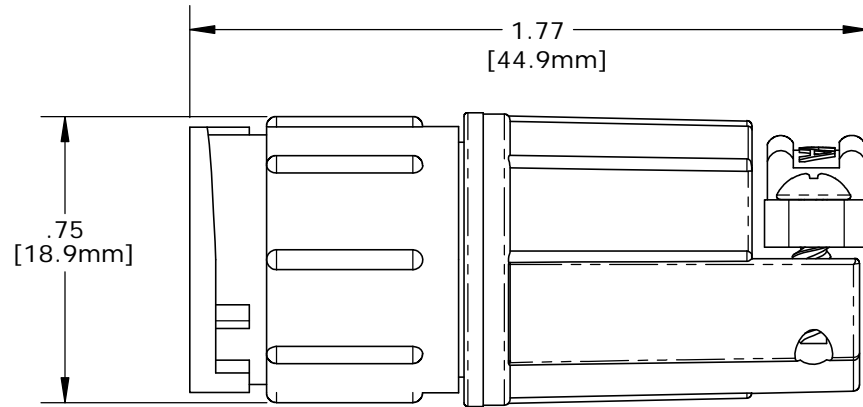


- NOTES:**
 1. PARTS TO BE BULK PACKED.
 2. SOLDER CONTACTS ARE PRESSED INTO CONNECTOR. ALL SOLDER CUPS ARE FACING TOP KEY.
 3. ALL DIMENSIONS ARE REFERENCE ONLY.
 4. DIMENSIONS IN BRACKETS [] ARE METRIC.



ASSEMBLED REFERENCE VIEW

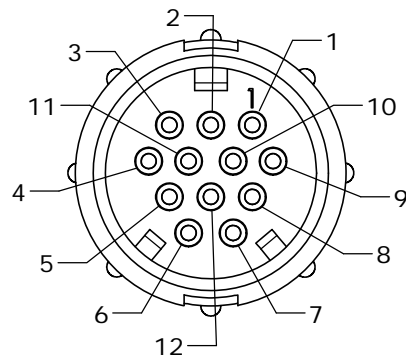
KIT PART NO.	GROMMET SIZE TO FIT CABLE O.D.	DIA. "D"	KIT P/N	NO. OF CONTACTS
W5282-1XPG-518	0.18 - 0.20 [4.6-5.1mm]	Ø0.77 [19.6mm]	W5282-10PG-5XX	(10) - #20
W5282-1XPG-521	0.21 - 0.23 [5.3-5.8mm]	Ø0.77 [19.6mm]	W5282-11PG-5XX	(11) - #20
W5282-1XPG-524	0.24 - 0.27 [6.1-6.8mm]	Ø0.77 [19.6mm]	W5282-12PG-5XX	(12) - #20
W5282-1XPG-528	0.28 - 0.29 [7.1-7.4mm]	Ø0.77 [19.6mm]	W5282-1XPG-5XX	
W5282-1XPG-530	0.30 - 0.32 [7.6-8.1mm]	Ø0.77 [19.6mm]		
W5282-1XPG-535	0.35 - 0.40 [8.9-10.2mm]	Ø0.83 [21.1mm]		

NO. OF CONTACTS

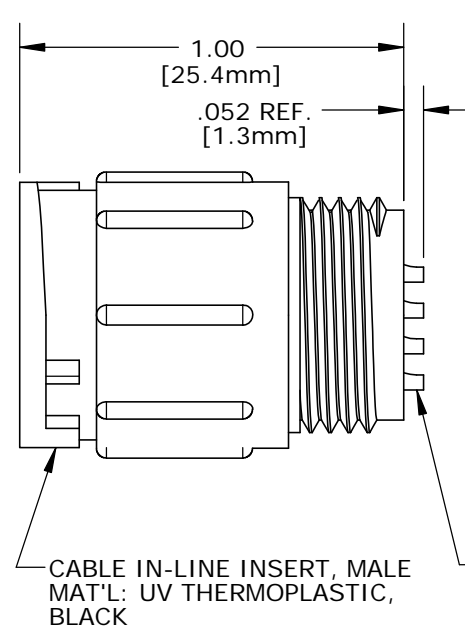
GROMMET SIZE SEE P/N LIST
 NO. OF CONTACTS

#4 HI/LO SCREW
 MAT'L: STAINLESS STEEL

BACKSHELL STRAP
 MAT'L: UV THERMOPLASTIC, BLACK



MATING FACE
W5282-12PG-5XX

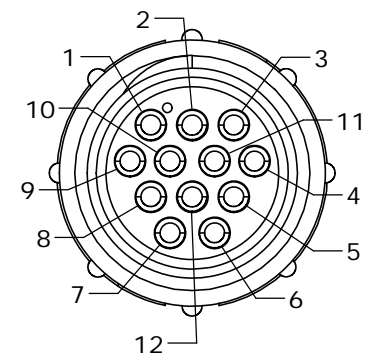
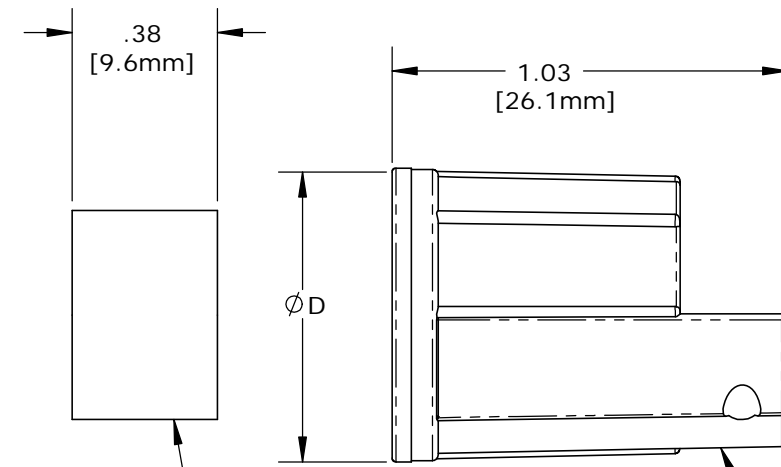


#20 PIN CONTACTS
 SOLDER, GOLD PLATED
 SEE NOTE 2

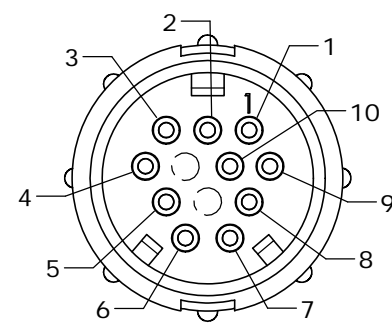
GROMMET,
 MAT'L: RUBBER,
 BLACK FOR CABLE O.D.
 SEE TABLE

SLEEVE
 MAT'L: THERMOPLASTIC,
 BLACK

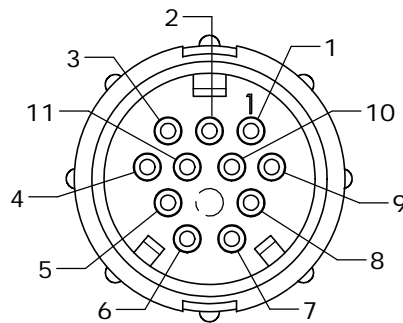
BACKSHELL
 MAT'L: UV THERMOPLASTIC,
 BLACK



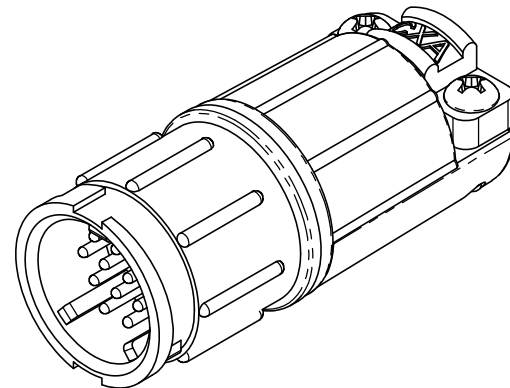
WIRE VIEW



MATING FACE
W5282-10PG-5XX



MATING FACE
W5282-11PG-5XX



CUSTOMER APPROVAL

THIS DOCUMENT CONTAINS CONFIDENTIAL INFORMATION PROPRIETARY TO CONXALL CORPORATION. ANY REPRODUCTION, DISCLOSURE, OR USE OF THIS DOCUMENT /INFORMATION IS EXPRESSLY PROHIBITED UNLESS AUTHORIZED IN WRITING BY CONXALL CORPORATION.

APPROVED BY: _____

DATE: _____

A	PAK	08/19/19	DRAWING CREATED AND RELEASED PER DOR 10-2523JS-1	
REV.	INIT.	DATE	DESCRIPTION	
	PAK	09/29/14	ORIG. DRAWN BY: DATE: PAK 09/29/14 CHECKED BY: APPROVED BY:	
ALL INFORMATION ILLUSTRATED IS THE PROPERTY OF "CONXALL CORPORATION". UNAUTHORIZED DUPLICATION OR DISTRIBUTION OF THIS DOCUMENT IS PROHIBITED. ALL UNITS ARE IN FEET, INCHES, FRACTION OF INCHES AND DECIMALS. UNLESS OTHERWISE SPECIFIED TOLERANCES: 3 PLACE DECIMALS ± .005 ANGLES ± 1° FRACTIONS ± 1/16 ▽ - CRITICAL CHARACTERISTIC FLAG PER SPEC. XXXX			 601 E. WILDWOOD VILLA PARK, IL 60181 TITLE: CABLE TO CABLE CONNECTOR KIT #20 PIN CONTACTS (SOLDER), BACKSHELL CLAMP MULTI-CON-X, E-KEY, WEATHER RESISTANT CUSTOMER: STANDARD PRODUCT	
SCALE	SIZE	SHEET	PART NUMBER: W5282-1XPG-5XX	
NTS	B	1 OF 1	REV A	
FILE:	DIRECTORY:	PART NUMBER:		
W5282-1XPG-5XX	SLW	W5282-1XPG-5XX		

Mouser Electronics

Authorized Distributor

Click to View Pricing, Inventory, Delivery & Lifecycle Information:

[Switchcraft:](#)

[W5282-10PG-535](#)