

CUSTOMER PRINT

PART NUMBER: W18980-XSG-P-5XX

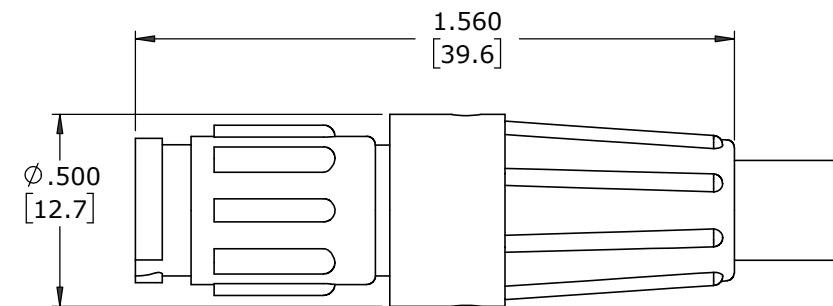
NOTES:

1. ALL PARTS TO BE BULK PACKED
2. CONTACTS SHIPPED UNASSEMBLED
3. ALL DIMENSIONS ARE REFERENCE EXCEPT THOSE WITH A TOLERANCE

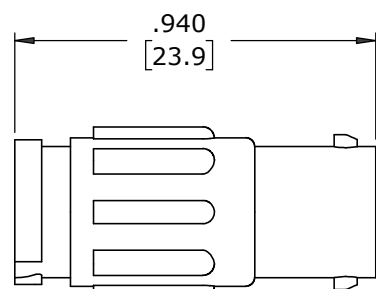
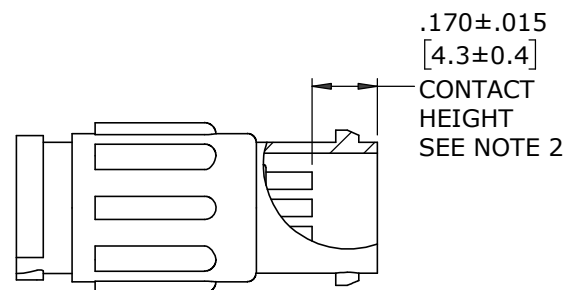
ASS'Y P/N	FOR CABLE O.D.
W18980-XSG-P-518	.175-.185 [4.4-4.7]
W18980-XSG-P-521	.205-.215 [5.2-5.5]
W18980-XSG-P-522	.215-.225 [5.5-5.7]

ASS'Y P/N	CONTACT QTY	KEY STYLE
W18980-5SG-P-5XX	5	A-KEY
W18980-6SG-P-5XX	6	B-KEY
W18980-7SG-P-5XX	7	A-KEY
W18980-XSG-P-5XX		

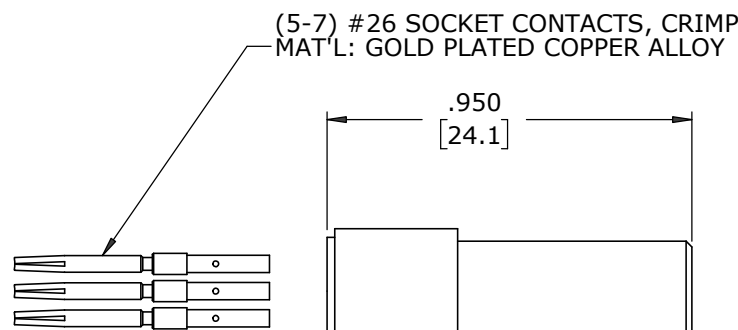
GROMMET SIZE
NUMBER OF CONTACTS



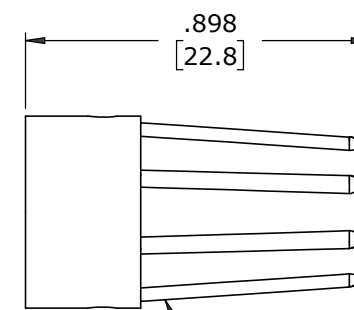
SHOWN ASSEMBLED
FOR CUSTOMER REFERENCE ONLY



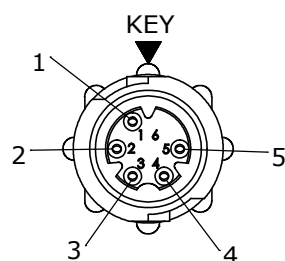
CABLE TO CABLE CONNECTOR, FEMALE
MAT'L: UV PBT, BLACK



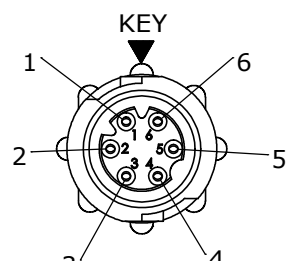
GROMMET
MAT'L: RUBBER, BLACK



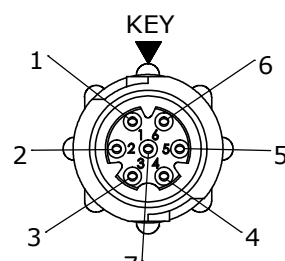
BACKSHELL
MAT'L: UV PBT, BLACK



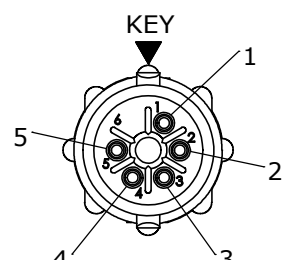
FACE VIEW
W18980-5SG-P-5XX
A-KEY



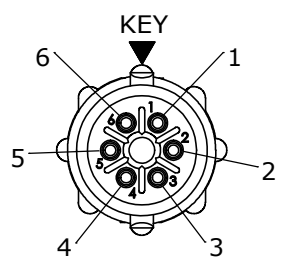
FACE VIEW
W18980-6SG-P-5XX
B-KEY



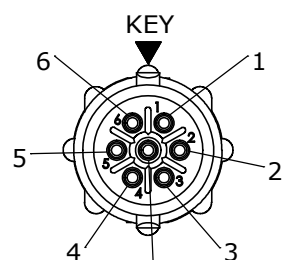
FACE VIEW
W18980-7SG-P-5XX
A-KEY



WIRING VIEW
W18980-5SG-P-5XX



WIRING VIEW
W18980-6SG-P-5XX



WIRING VIEW
W18980-7SG-P-5XX

DIMENSIONS IN BRACKETS [] ARE IN MILLIMETERS

CUSTOMER APPROVAL

THIS DOCUMENT CONTAINS CONFIDENTIAL INFORMATION PROPRIETARY TO CONXALL CORPORATION. ANY REPRODUCTION, DISCLOSURE, OR USE OF THIS DOCUMENT /INFORMATION IS EXPRESSLY PROHIBITED UNLESS AUTHORIZED IN WRITING BY CONXALL CORPORATION.

APPROVED BY: _____
DATE: _____

RoHS COMPLIANT

REV. A	MA	08-24-20	RELEASED PER PDR 18004
	JGK	8/29/19	DRAWING CREATED FOR PDR #18004.
REV. INIT.	DATE	DESCRIPTION	
JGK	8/29/19	ORIG. DRAWN BY:	DATE:
		CHECKED BY:	
APPROVED BY:		TITLE:	
		CABLE TO CABLE CONN. ASSY (5-7) #26 SOCKET CONTACTS, CRIMP INSTA-CLICK™ MICRO-CON-X STANDARD PRODUCT	
SCALE	SIZE	SHEET	CUSTOMER:
NTS	B	1 OF 1	W18980-XSG-P-5XX
FILE:	DIRECTORY:	PART NUMBER:	REV
W18980-XSG-P-5XX	SLW	W18980-XSG-P-5XX	A



601 E. WILDWOOD VILLA PARK, IL 60181

Mouser Electronics

Authorized Distributor

Click to View Pricing, Inventory, Delivery & Lifecycle Information:

[Switchcraft:](#)

[W18980-5SG-P-522](#) [W18980-6SG-P-522](#) [W18980-7SG-P-522](#)