

CUSTOMER PRINT

PART NUMBER: W17984-XSG-P-300

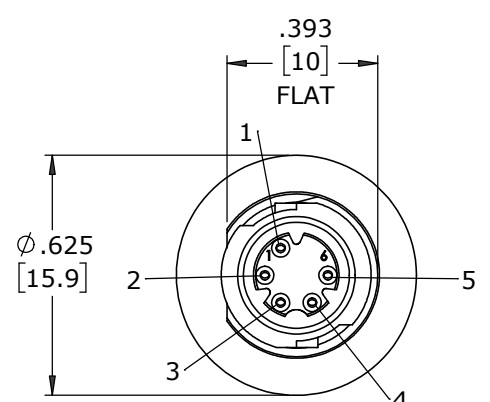
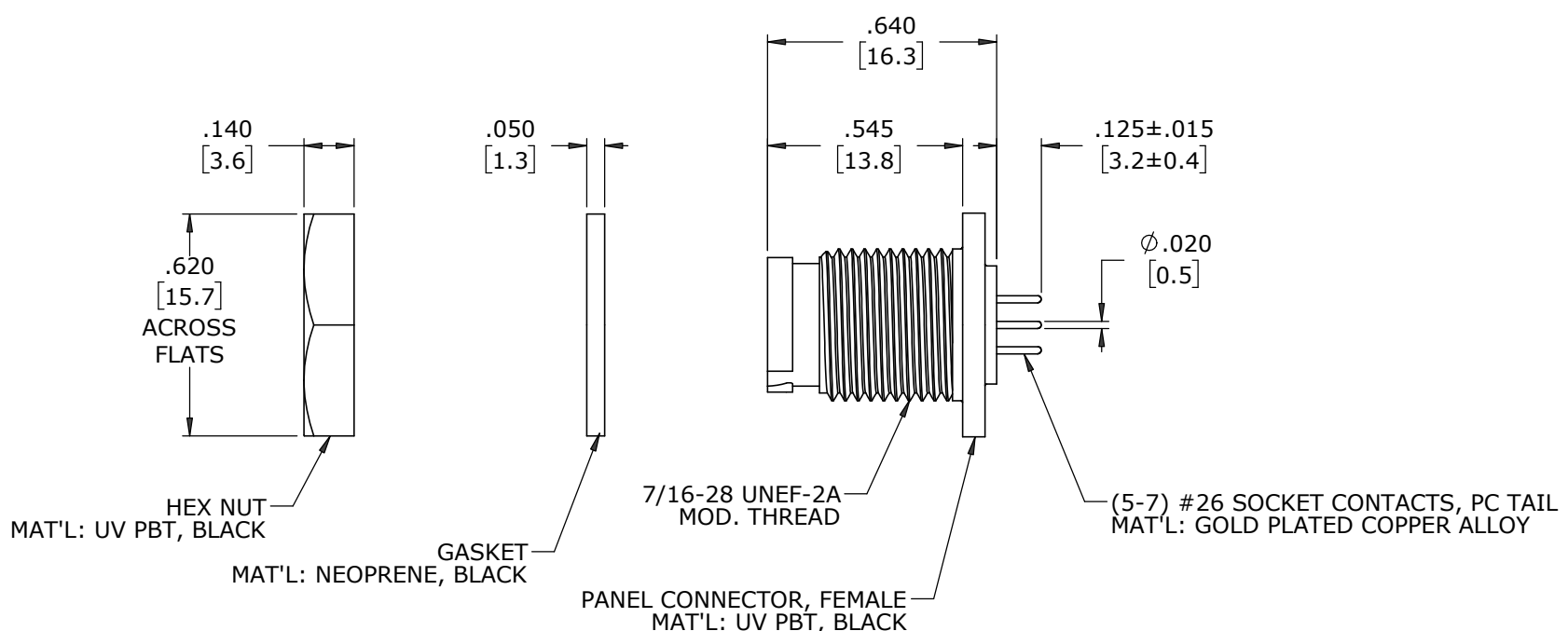
ASS'Y P/N	NO. OF CONTACTS	KEY STYLE
W17984-5SG-P-300	5 #26	A-KEY
W17984-6SG-P-300	6 #26	B-KEY
W17984-7SG-P-300	7 #26	A-KEY

NOTES:

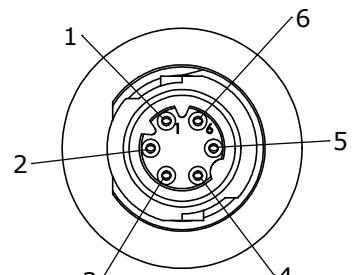
- PANEL CONNECTORS TO BE PACKED IN PARTITION BOX, 100 PC PER BOX
HEX NUT AND GASKET TO BE BULK PACKED IN A SEPARATE BAG FROM PANEL ASSEMBLY PACKAGE.
a) BOX LABELED WITH CXA PART NUMBER, QUANTITY, LOT # AND DATE CODE AS SHOWN.
- CONTACTS ARE ASSEMBLED INTO PANEL CONNECTOR.
- SEE DRAWING HPMCSTD FOR HOLE PATTERN.
- ALL DIMENSIONS ARE REFERENCE EXCEPT THOSE WITH A TOLERANCE

(B)

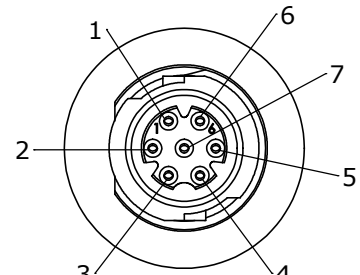
P/N: W17984-XSG-P-300
CONXALL
QTY:
Lot:
Date Code:



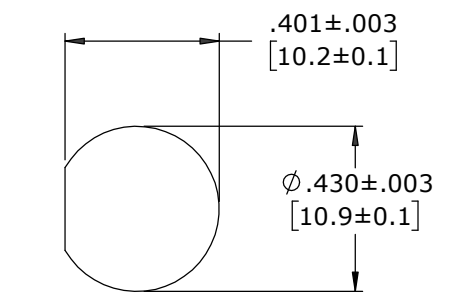
FACE VIEW
W17984-5SG-P-300
5 POSITION
A-KEY



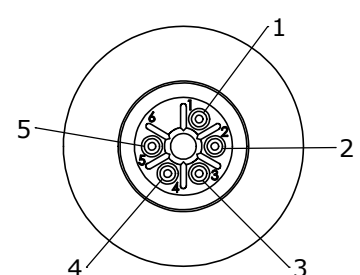
FACE VIEW
W17984-6SG-P-300
6 POSITION
B-KEY



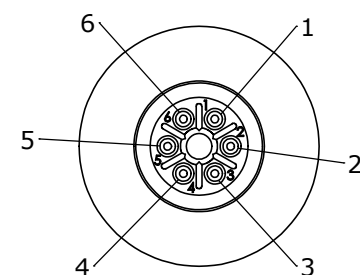
FACE VIEW
W17984-7SG-P-300
7 POSITION
A-KEY



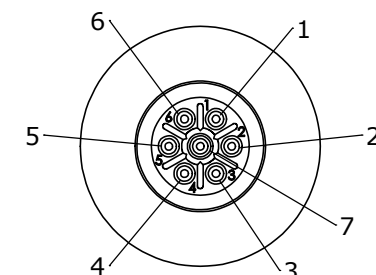
**RECOMMENDED
PANEL CUT-OUT**



WIRE VIEW
W17984-5SG-P-300



WIRE VIEW
W17984-6SG-P-300



WIRE VIEW
W17984-7SG-P-300

DIMENSIONS IN BRACKETS [] ARE IN MILLIMETERS UNLESS INDICATED

CUSTOMER APPROVAL

THIS DOCUMENT CONTAINS CONFIDENTIAL INFORMATION PROPRIETARY TO CONXALL CORPORATION. ANY REPRODUCTION, DISCLOSURE, OR USE OF THIS DOCUMENT /INFORMATION IS EXPRESSLY PROHIBITED UNLESS AUTHORIZED IN WRITING BY CONXALL CORPORATION.

APPROVED BY: _____
DATE: _____

RoHS COMPLIANT

REV.	INIT.	DATE	DESCRIPTION
B	MA	11-09-20	NUMBER OF CONNECTORS PER BOX WAS 200 PER ECR 9548
A	MA	08-12-20	RELEASED PER PDR 18004-2
	JGK	8/15/19	DRAWING CREATED FOR PDR #18004

ALL INFORMATION ILLUSTRATED IS THE PROPERTY OF "CONXALL CORPORATION". UNAUTHORIZED DUPLICATION OR DISTRIBUTION OF THIS DOCUMENT IS PROHIBITED.	ORIG. DRAWN BY: JGK DATE: 8/15/19	
ALL UNITS ARE IN FEET, INCHES, FRACTION OF INCHES AND DECIMALS.	CHECKED BY:	
APPROVED BY:	SCALE: NTS SIZE: B SHEET: 1 OF 1	TITLE: PANEL MOUNT ASSEMBLY (5-7) #26 SOCKET CONTACTS, PC TAIL INSTA-CLICK™ MICRO-CON-X STANDARD PRODUCT
FILE: W17984-XSG-P-300	DIRECTORY: SLW	CUSTOMER: W17984-XSG-P-300

CRITICAL CHARACTERISTIC FLAG PER SPEC. XXXX

REV B

Mouser Electronics

Authorized Distributor

Click to View Pricing, Inventory, Delivery & Lifecycle Information:

Switchcraft:

[W17984-7SG-P-3ES](#) [W17984-7SG-P-300](#) [W17984-6SG-P-3ES](#) [W17984-5SG-P-3ES](#) [W17984-5SG-P-300](#)
[W17984-6SG-P-300](#)