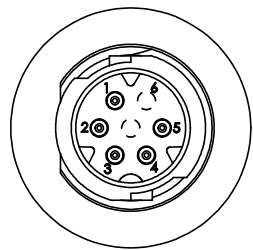


CUSTOMER PRINT

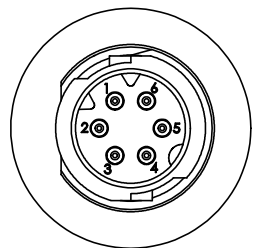
PART NUMBER: W17980-XPG-P-300

ASS'Y P/N	NO. OF CONTACTS	KEY STYLE
W17980-5PG-P-300	5 #26	A-KEY
W17980-6PG-P-300	6 #26	B-KEY
W17980-7PG-P-300	7 #26	A-KEY

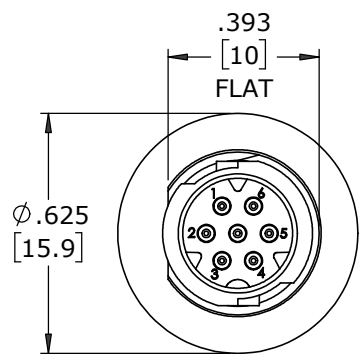
- NOTES:  
 1. ALL PARTS TO BE BULK PACKED  
 2. CONTACTS SHIPPED UNASSEMBLED  
 3. ALL DIMENSIONS ARE REFERENCE EXCEPT THOSE WITH A TOLERANCE



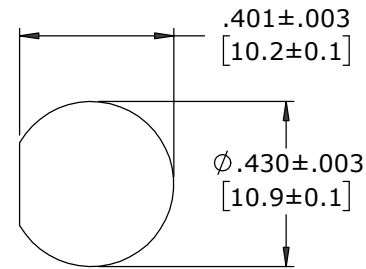
**FACE VIEW**  
 W17980-5PG-P-300  
 5 POSITION  
 A-KEY



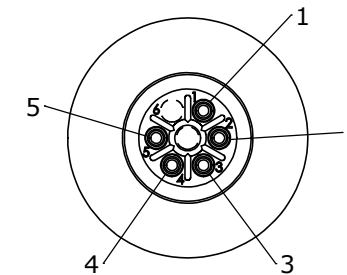
**FACE VIEW**  
 W17980-6PG-P-300  
 6 POSITION  
 B-KEY



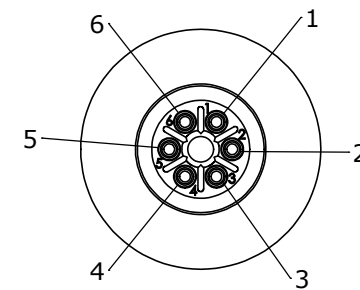
**FACE VIEW**  
 W17980-7PG-P-300  
 7 POSITION  
 A-KEY



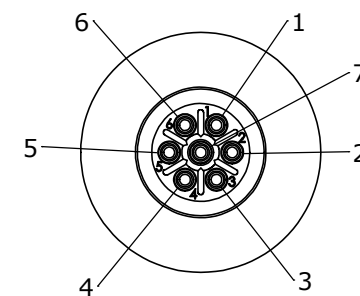
**RECCOMENDED  
 PANEL CUT-OUT**



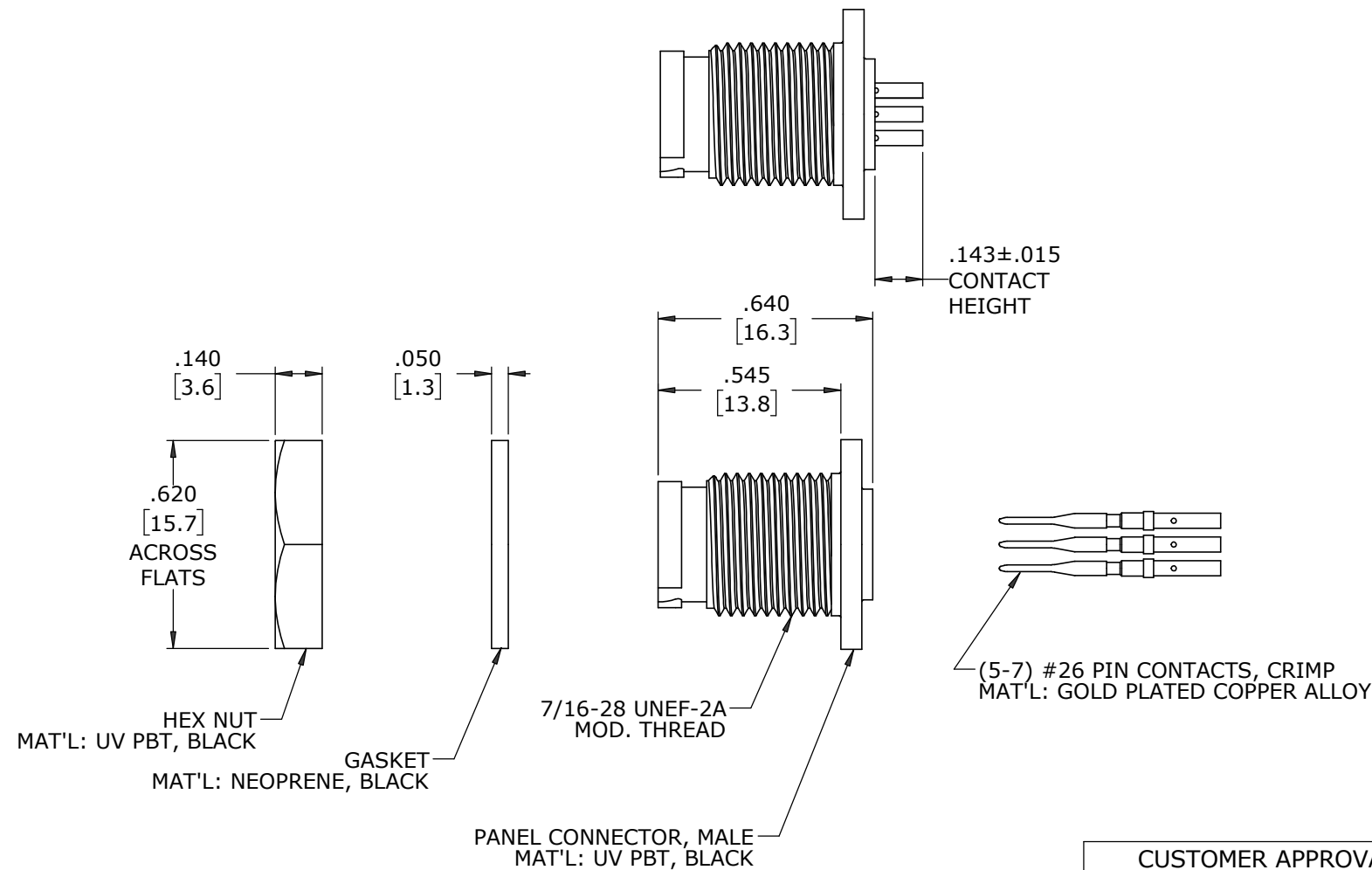
**WIRE VIEW**  
 W17980-5PG-P-300



**WIRE VIEW**  
 W17980-6PG-P-300



**WIRE VIEW**  
 W17980-10PG-P-300



**CUSTOMER APPROVAL**

THIS DOCUMENT CONTAINS CONFIDENTIAL INFORMATION PROPRIETARY TO CONXALL CORPORATION. ANY REPRODUCTION, DISCLOSURE, OR USE OF THIS DOCUMENT /INFORMATION IS EXPRESSLY PROHIBITED UNLESS AUTHORIZED IN WRITING BY CONXALL CORPORATION.

APPROVED BY: \_\_\_\_\_  
 DATE: \_\_\_\_\_

MA	08-13-20	RELEASED PER PDR 18004-2
A	JGK	8/14/19
REV.	INIT.	DATE
ALL INFORMATION ILLUSTRATED IS THE PROPERTY OF "CONXALL CORPORATION". UNAUTHORIZED DUPLICATION OR DISTRIBUTION OF THIS DOCUMENT IS PROHIBITED.		DESCRIPTION
ORIG. DRAWN BY: JGK		DATE: 8/14/19
CHECKED BY:		<p>601 E. WILDWOOD VILLA PARK, IL 60181</p>
APPROVED BY:		
SCALE	SIZE	SHEET
NTS	B	1 OF 1
FILE:	DIRECTORY:	PART NUMBER:
W17980-XPG-P-300	SLW	W17980-XPG-P-300
TITLE:		REV
PANEL MOUNT ASSEMBLY (5-7) #26 PIN CONTACTS, CRIMP INSTA-CLICK™ MICRO-CON-X STANDARD PRODUCT		A

DIMENSIONS IN BRACKETS [ ] ARE IN MILLIMETERS UNLESS INDICATED

**RoHS COMPLIANT**

CRITICAL CHARACTERISTIC FLAG PER SPEC. XXXX

# Mouser Electronics

Authorized Distributor

Click to View Pricing, Inventory, Delivery & Lifecycle Information:

[Switchcraft:](#)

[W17980-7PG-P-300](#) [W17980-5PG-P-300](#) [W17980-6PG-P-300](#)