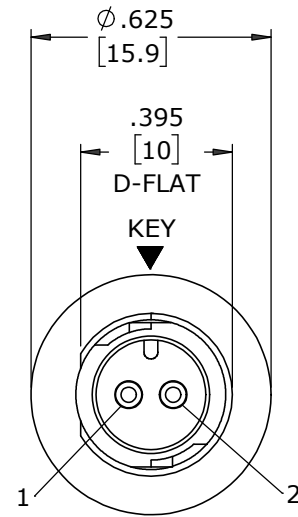


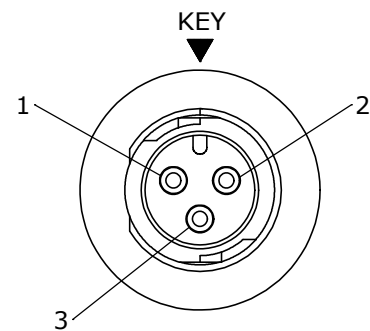
| ASS'Y P/N | CONTACT QTY |
|------------------|-------------|
| W17282-2PG-P-300 | 2 #20 |
| W17282-3PG-P-300 | 3 #20 |

NOTES:

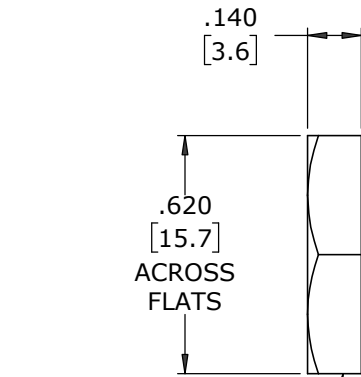
1. PARTS TO BE BULK PACKED
2. CONTACTS INSERTED INTO CONNECTOR AS SHOWN.
3. ALL DIMENSIONS ARE REFERENCE EXCEPT THOSE WITH A TOLERANCE



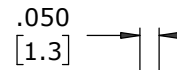
FACE VIEW
W17281-2PG-P-300



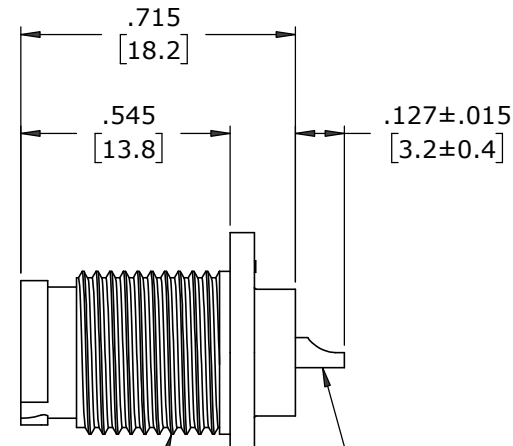
FACE VIEW
W17281-3PG-P-300



HEX NUT
MAT'L: UV PBT, BLACK

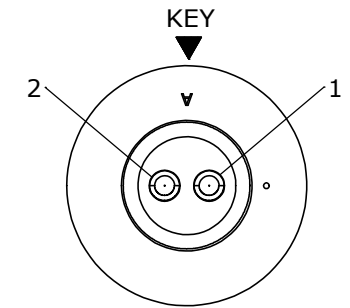


GASKET
MAT'L: NEOPRENE, BLACK

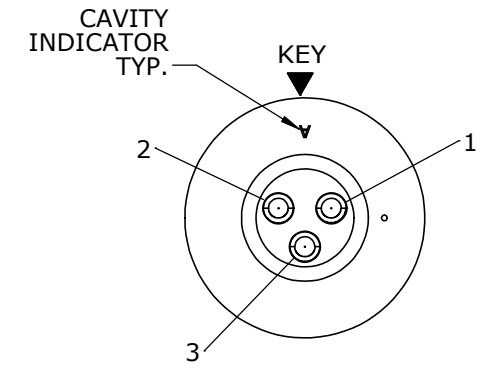


7/16-28 UNEF-2A
MOD, THREAD

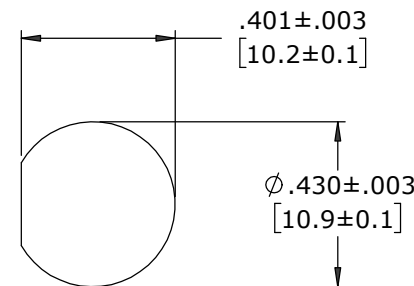
PANEL CONNECTOR, MALE
MAT'L: UV PBT, BLACK



WIRE VIEW
W17282-2PG-P-300



WIRE VIEW
W17282-3PG-P-300



**RECOMMENDED
PANEL CUT-OUT**


DIMENSIONS IN BRACKETS [] ARE IN MILLIMETERS UNLESS INDICATED

CUSTOMER APPROVAL

THIS DOCUMENT CONTAINS CONFIDENTIAL INFORMATION PROPRIETARY TO CONXALL CORPORATION. ANY REPRODUCTION, DISCLOSURE, OR USE OF THIS DOCUMENT /INFORMATION IS EXPRESSLY PROHIBITED UNLESS AUTHORIZED IN WRITING BY CONXALL CORPORATION.

APPROVED BY: _____
DATE: _____

RoHS COMPLIANT

| | | | |
|--|------------|------------------|--|
| A | MA | 08-06-20 | RELEASED PER PDR 18004-2 |
| | JGK | 8/12/19 | DRAWING CREATED FOR PDR #18004 |
| REV. | INIT. | DATE | DESCRIPTION |
| | JGK | 8/12/19 | ORIG. DRAWN BY: DATE: 8/12/19 |
| ALL INFORMATION ILLUSTRATED IS THE PROPERTY OF "CONXALL CORPORATION". UNAUTHORIZED DUPLICATION OR DISTRIBUTION OF THIS DOCUMENT IS PROHIBITED. | | | |
| ALL UNITS ARE IN FEET, INCHES, FRACTION OF INCHES AND DECIMALS. | | | |
| SCALE | SIZE | SHEET |  601 E. WILDWOOD VILLA PARK, IL 60181 TITLE: PANEL MOUNT ASSEMBLY (2-3) #20 PIN CONTACTS, SOLDER INSTA-CLICK™ MICRO-CON-X STANDARD PRODUCT CUSTOMER: |
| NTS | B | 1 OF 1 | |
| FILE: | DIRECTORY: | PART NUMBER: | REV |
| W17282-XPG-P-300 | SLW | W17282-XPG-P-300 | A |

CUSTOMER PRINT

PART NUMBER: W17282-XPG-P-300

Mouser Electronics

Authorized Distributor

Click to View Pricing, Inventory, Delivery & Lifecycle Information:

[Switchcraft:](#)

[W17282-2PG-P-3ES](#) [W17282-3PG-P-300](#) [W17282-2PG-P-300](#) [W17282-3PG-P-3ES](#)