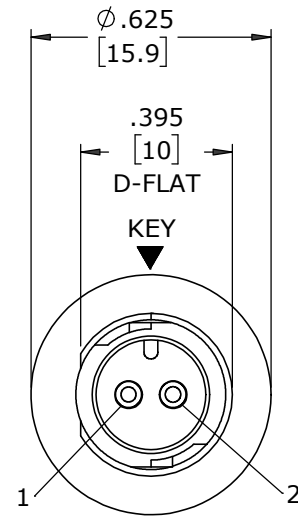


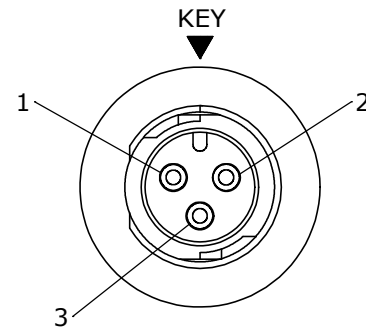
ASS'Y P/N	CONTACT QTY
W17281-2PG-P-300	2 #20
W17281-3PG-P-300	3 #20

NOTES:

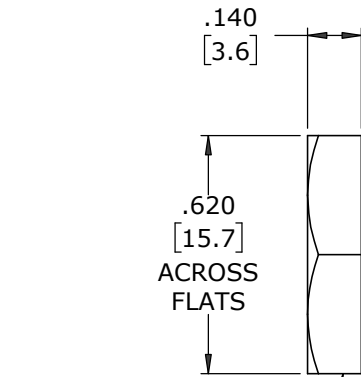
1. ALL PARTS TO BE BULK PACKED
2. CONTACTS TO BE INSERTED INTO HOUSING AS SHOWN.
3. SEE DRAWING HPMCSTD FOR HOLE PATTERN.
4. ALL DIMENSIONS ARE REFERENCE EXCEPT THOSE WITH A TOLERANCE



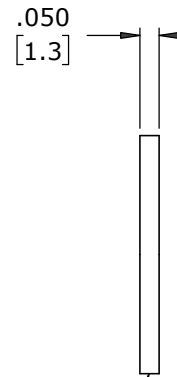
FACE VIEW
W17281-2PG-P-300



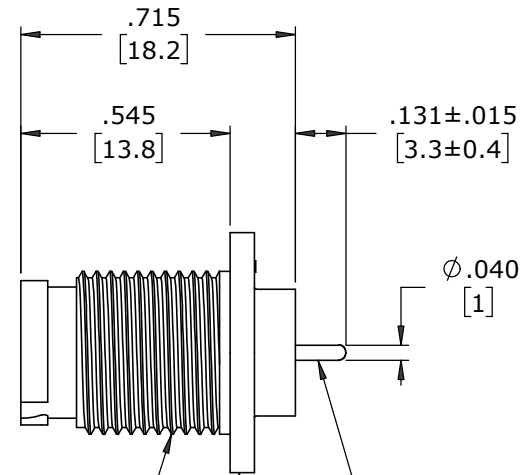
FACE VIEW
W17281-3PG-P-300



HEX NUT
MAT'L: UV PBT, BLACK



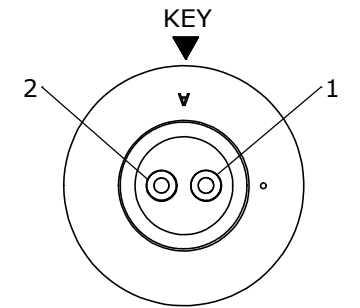
GASKET
MAT'L: NEOPRENE, BLACK



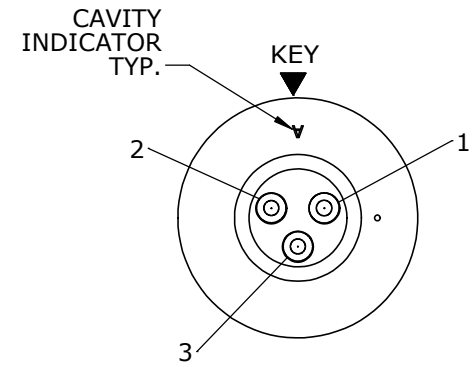
7/16-28 UNEF-2A
MOD, THREAD

PANEL CONNECTOR, MALE
MAT'L: UV PBT, BLACK

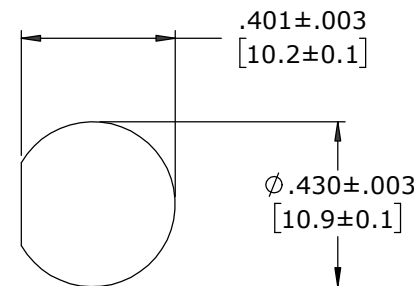
(2-3) #20 PIN CONTACTS, PC TAIL
MAT'L: GOLD PLATED COPPER ALLOY



WIRE VIEW
W17281-2PG-P-300



WIRE VIEW
W17281-3PG-P-300



**RECOMMENDED
PANEL CUT-OUT**

CUSTOMER APPROVAL

THIS DOCUMENT CONTAINS CONFIDENTIAL INFORMATION PROPRIETARY TO CONXALL CORPORATION. ANY REPRODUCTION, DISCLOSURE, OR USE OF THIS DOCUMENT /INFORMATION IS EXPRESSLY PROHIBITED UNLESS AUTHORIZED IN WRITING BY CONXALL CORPORATION.

APPROVED BY: _____
DATE: _____

A	MA	08-05-20	RELEASED PER PDR 18004-2
	JGK	8/12/19	DRAWING CREATED FOR PDR #18004
REV.	INIT.	DATE	DESCRIPTION
	JGK	8/12/19	ORIG. DRAWN BY: DATE: 8/12/19
ALL INFORMATION ILLUSTRATED IS THE PROPERTY OF "CONXALL CORPORATION". UNAUTHORIZED DUPLICATION OR DISTRIBUTION OF THIS DOCUMENT IS PROHIBITED.			 601 E. WILDWOOD VILLA PARK, IL 60181
ALL UNITS ARE IN FEET, INCHES, FRACTION OF INCHES AND DECIMALS.			
APPROVED BY:		TITLE: PANEL MOUNT ASSEMBLY (2-3) #20 PIN CONTACTS, PC TAIL INSTA-CLICK™ MICRO-CON-X STANDARD PRODUCT	
SCALE	SIZE	SHEET	CUSTOMER:
NTS	B	1 OF 1	W17281-XPG-P-300
FILE:	DIRECTORY:	PART NUMBER:	REV
W17281-XPG-P-300	SLW	W17281-XPG-P-300	A

DIMENSIONS IN BRACKETS [] ARE IN MILLIMETERS UNLESS INDICATED

RoHS COMPLIANT

▷ - CRITICAL CHARACTERISTIC FLAG PER SPEC. XXXX

CUSTOMER PRINT

PART NUMBER: W17281-XPG-P-300

Mouser Electronics

Authorized Distributor

Click to View Pricing, Inventory, Delivery & Lifecycle Information:

[Switchcraft:](#)

[W17281-3PG-P-300](#) [W17281-3PG-P-3ES](#) [W17281-2PG-P-3ES](#) [W17281-2PG-P-300](#)