

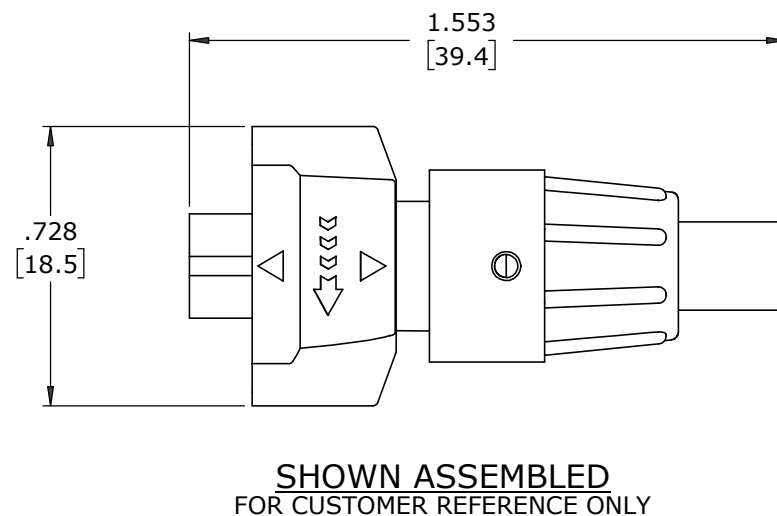
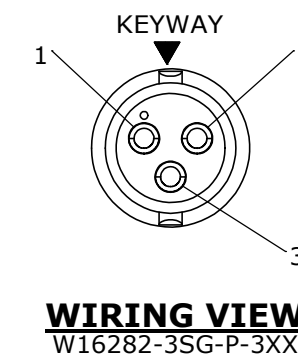
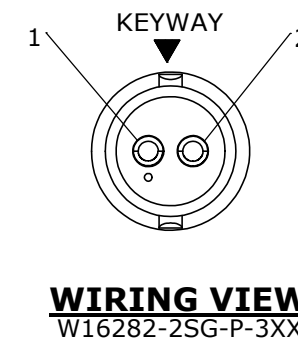
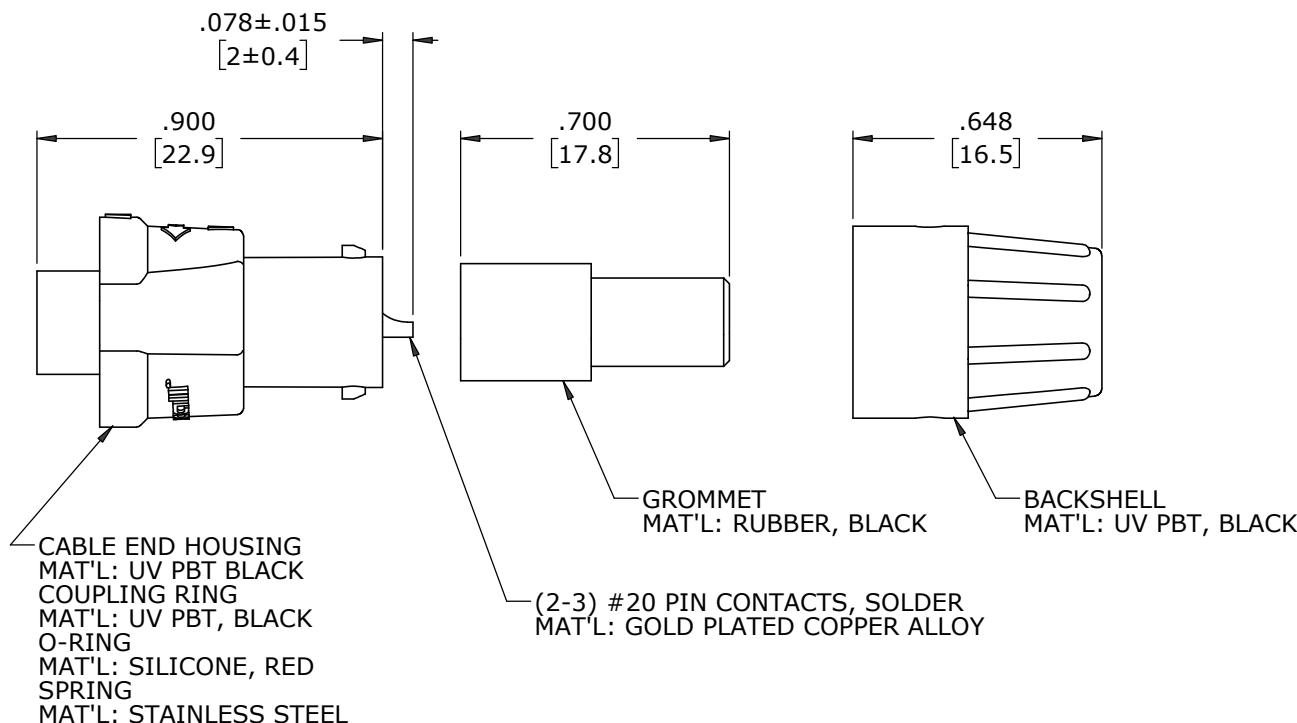
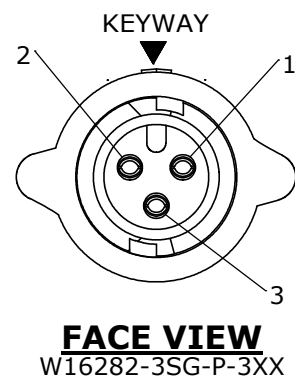
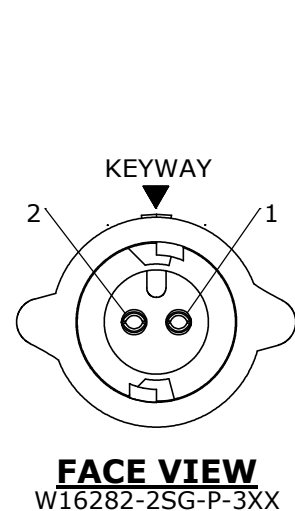
**NOTES:**

1. ALL PARTS TO BE BULK PACKED.
2. ALL DIMENSIONS ARE REFERENCE EXCEPT THOSE WITH A TOLERANCE

ASS'Y P/N	FOR CABLE O.D.
W16282-XSG-P-311	.09-.14 [2.3-3.6]
W16282-XSG-P-315	.15-.17 [3.8-4.3]
W16282-XSG-P-318	.18-.20 [4.6-5.1]

ASS'Y P/N	CONTACT QTY.
W16282-2SG-P-3XX	2
W16282-3SG-P-3XX	3
W16282-XSG-P-3XX	

GROMMET SIZE  
NUMBER OF CONTACTS



DIMENSIONS IN BRACKETS [ ] ARE METRIC

**CUSTOMER APPROVAL**

THIS DOCUMENT CONTAINS CONFIDENTIAL INFORMATION PROPRIETARY TO CONXALL CORPORATION. ANY REPRODUCTION, DISCLOSURE, OR USE OF THIS DOCUMENT /INFORMATION IS EXPRESSLY PROHIBITED UNLESS AUTHORIZED IN WRITING BY CONXALL CORPORATION.

APPROVED BY: \_\_\_\_\_  
DATE: \_\_\_\_\_

MA	08-17-20	RELEASED PER PDR 18004-4	
JGK	03/03/20	ADDED SHEET 2 FOR CABLE-END ASSEMBLY INSTRUCTIONS.	
JGK	09/06/19	DRAWING CREATED FOR PDR #18004.	
REV.	INIT.	DATE	DESCRIPTION
A	JGK	9/06/19	ORIG. DRAWN BY: DATE: 9/06/19
ALL INFORMATION ILLUSTRATED IS THE PROPERTY OF "CONXALL CORPORATION". UNAUTHORIZED DUPLICATION OR DISTRIBUTION OF THIS DOCUMENT IS PROHIBITED.		<p>601 E. WILDWOOD VILLA PARK, IL 60181</p>	
ALL UNITS ARE IN FEET, INCHES, FRACTION OF INCHES AND DECIMALS.		<p>APPROVED BY: _____</p> <p>SCALE: NTS SIZE: B SHEET: 1 OF 1</p> <p>FILE: W16282-XSG-P-3XX DIRECTORY: SLW</p>	
UNLESS OTHERWISE SPECIFIED TOLERANCES: 3 PLACE DECIMALS ±.005 ANGLES 90° FRACTIONS ±1/16		<p>TITLE: CABLE-END ASSEMBLY (2-3) #20 SOCKET CONTACTS, SOLDER INSTA-CLICK™ MICRO-CON-X STANDARD PRODUCT</p> <p>CUSTOMER: _____</p>	
- CRITICAL CHARACTERISTIC FLAG PER SPEC. XXXX		PART NUMBER: W16282-XSG-P-3XX	REV: A

**RoHS COMPLIANT**

# Mouser Electronics

Authorized Distributor

Click to View Pricing, Inventory, Delivery & Lifecycle Information:

## Switchcraft:

[W16282-2SG-P-318](#) [W16282-2SG-P-311](#) [W16282-3SG-P-318](#) [W16282-3SG-P-311](#) [W16282-3SG-P-315](#) [W16282-2SG-P-315](#)