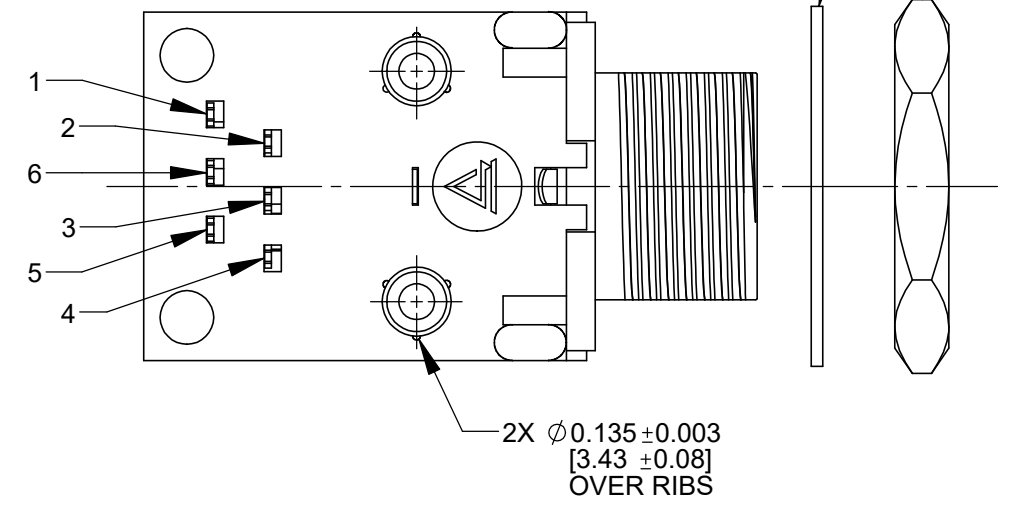


RECOMMENDED PC BOARD LAYOUT
COMPONENT SIDE



WASHER
SEE NOTE 3

HEX NUT
SEE NOTE 3

- NOTES:**
- MATERIALS:**
BUSHING - ZINC ALLOY, NICKEL PLATED
HOUSING - THERMOPLASTIC, BLACK
CONTACTS & TERMINALS - COPPER ALLOY, TIN PLATED
GROUND TERMINAL - SPECIAL COPPER ALLOY, TIN PLATED
HARDWARE - COPPER ALLOY, NICKEL PLATED
 - ELECTRICAL SPECIFICATIONS:**
CURRENT RATING - 1.5 A
CONTACT RESISTANCE - 0.010 OHM MAX
INSULATION RESISTANCE - 100 MEGA OHMS MIN
DIELECTRIC WITHSTANDING VOLTAGE - 250 VAC
MECHANICAL LIFE - 2000 CYCLES
 - HARDWARE SHIPPED UNASSEMBLED.**
 - THIS PRODUCT IS RoHS COMPLIANT.**

CUSTOMER DRAWING

REV	ECO NUMBER	DATE	BY	APVD
K	28312	08-25-20	PC	TJK
J	27650 REDRAWN	2-1-16	TO	TJK
REVISIONS				

UNLESS OTHERWISE SPECIFIED

1. ALL DIMENSIONS IN INCHES [mm]

- TWO PLACE DECIMALS ±0.02 [0.5]

- THREE PLACE DECIMALS ±0.005 [0.13]

DO NOT SCALE DRAWING

THIS DRAWING DESCRIBES A DESIGN CONSIDERED PROPRIETARY IN NATURE, DEVELOPED AND MANUFACTURED BY SWITCHCRAFT INC. AND IS RELEASED ON A CONFIDENTIAL BASIS FOR IDENTIFICATION PURPOSES ONLY.										
SIZE	WIDTH	MULT	LBS/M	TEMPER						
FINISH					MATERIAL					
SPEC No.					SPEC No.					
FIRST USED ON				SCALE 3:1						
DATE DRAWN	BY	CHKD	APVD							
4-26-96	RC	RB	DG							
				4-26-96	12-2-98	SHEET 1 OF 1				
NAME TINI Q-G MALE RECEPTOR R.A.P.C. 6 PIN, RoHS					PART No.		TRA6M			REV K

Mouser Electronics

Authorized Distributor

Click to View Pricing, Inventory, Delivery & Lifecycle Information:

[Switchcraft:](#)

[TRA6M](#)