

**NOTES:**

1. HARDWARE SHIPPED UNASSEMBLED.
2. THIS JACK SHOULD BE ONLY USED WITH SWITCHCRAFT  $\varnothing 0.097$  SUBMINIATURE PHONE PLUGS. (850 & 851 SERIES)

**3. MATERIALS:**

BUSHING - NICKEL-PLATED COPPER ALLOY  
 INSULATING SPACERS - RIGID PLASTIC  
 TIP, SHUNT AND SLEEVE TERMINALS - SILVER-PLATED COPPER ALLOY  
 HARDWARE - NICKEL-PLATED COPPER ALLOY

**4. SPECIFICATION:**

SPRING LIFE, INSERTION AND WITHDRAWAL, 2500 CYCLES  
 SEE NOTE 2

DIELECTRIC STRENGTH, 250 VRMS A.C. BETWEEN TIP SPRING  
 AND BUSHING AND BETWEEN BREAK SHUNT SPRING AND BUSHING.

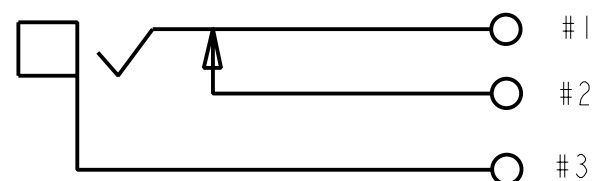
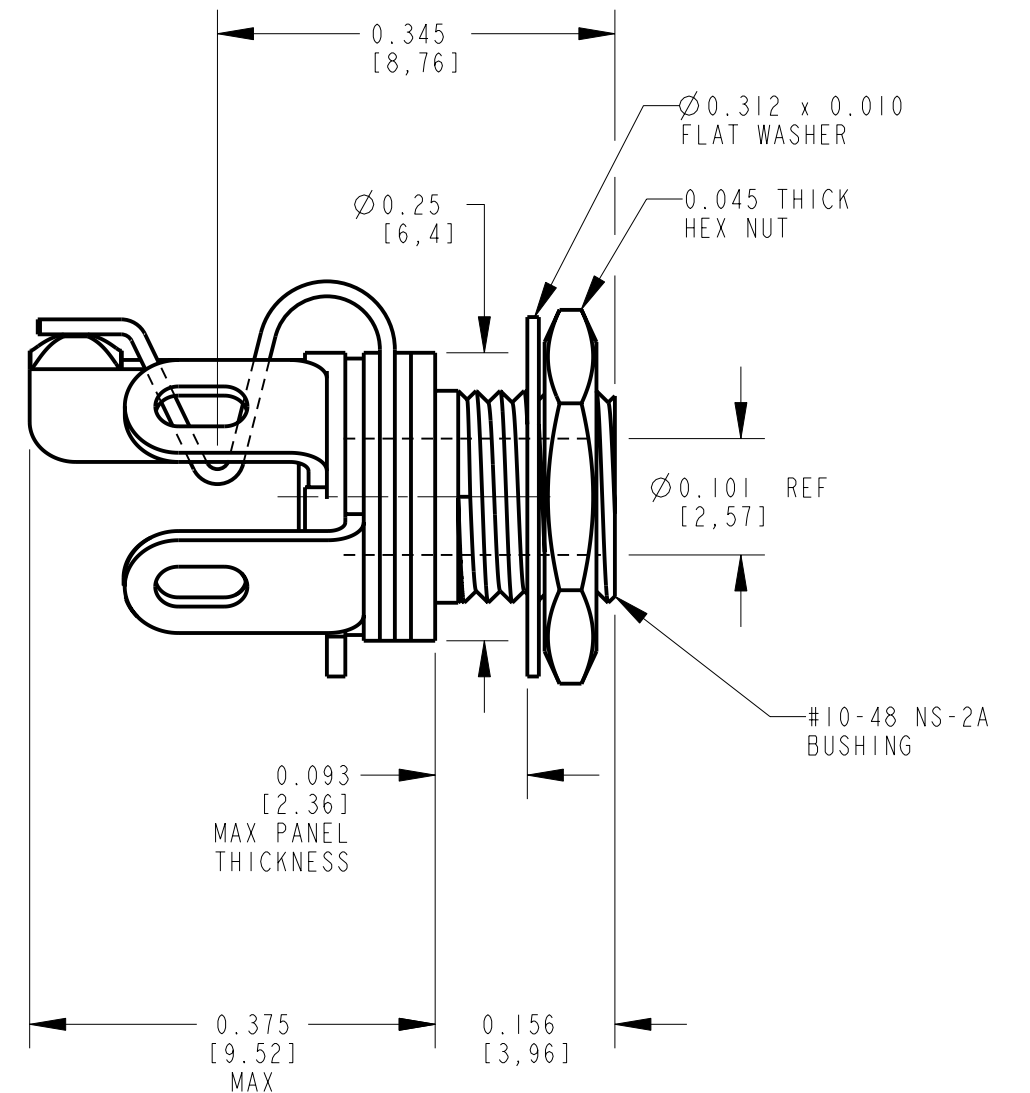
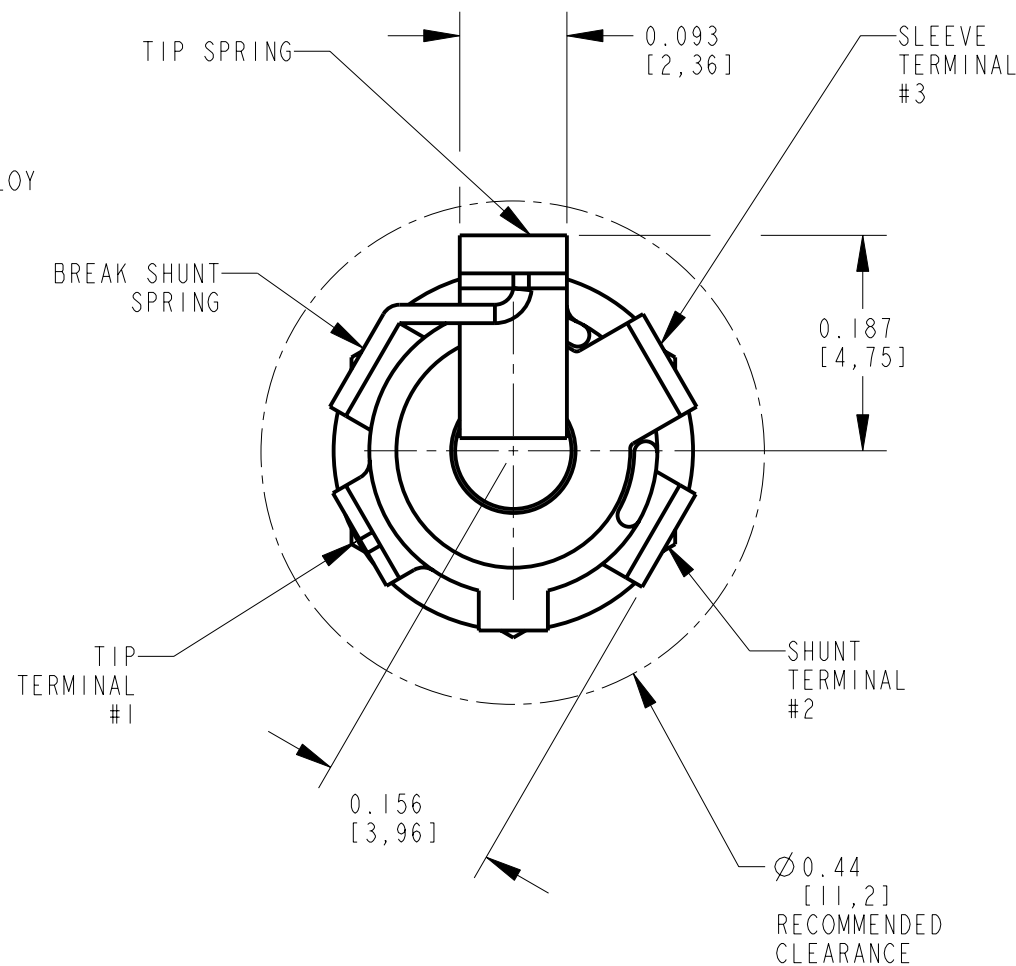
CONTACT RESISTANCE: 0.1 OHM MAX. BETWEEN TIP SPRING  
 AND BREAK SHUNT SPRING.

CAPACITANCE BETWEEN ONE CONTACT AND ALL OTHER  
 CONDUCTING PARTS TO BE 12 MMFD MAX.

INSULATION RESISTANCES:  
 AS RECEIVED: 75 MEGOHMS (MAX)  
 WET: 1.5 MEGOHMS (MIN)  
 (MEASURED FROM ONE CONTACT TO  
 ALL OTHER CONDUCTING PARTS)

SAFE OPERATION TEMP.: 75°C (MAX)

INSERTION FORCE: 21LBS. (MAX)  
 WITHDRAWAL FORCE: 0.5LB. (MIN)  
 SEE NOTE 2



SCHEMATIC

CUSTOMER DRAWING

					★ STAR SYMBOL DENOTES CRITICAL DIMENSION	THIS DRAWING DESCRIBES A DESIGN CONSIDERED PROPRIETARY IN NATURE, DEVELOPED AND MANUFACTURED BY SWITCHCRAFT INC. AND IS RELEASED ON A CONFIDENTIAL BASIS FOR IDENTIFICATION PURPOSES ONLY.							
					UNLESS OTHERWISE SPECIFIED	SIZE	WIDTH	MULT	LBS/M	TEMPER			
E	24774	10-1-07	JL	TJK	1. ALL DIMENSIONS IN INCHES - TWO PLACE DECIMALS $\pm 0.01$ - THREE PLACE DECIMALS $\pm 0.005$ - ANGLES $\pm 1$ - ALL DIA. CONCENTRIC WITHIN 0.005 T.I.R.  2. FEATURES ON THE SAME CENTERLINE MUST BE ALIGNED WITHIN $\pm 0.002$  3. REMOVE ALL BURRS	FINISH		MATERIAL					
D	21206	1-27-97	CR	JF		SPEC No.		SPEC No.					
C	20848	1-27-97	CR	JF		FIRST USED ON		SCALE					
B	20834	1-27-97	CR	JF		DATE DRAWN		BY	CHKD	APVD			
A	20627	3-5-96	CR	JF		4-10-95	ES	GHJ	GHJ	4-10-95			
REV	ECO NUMBER	DATE	BY	APVD	NAME					PART No.	REV		
REVISIONS					DO NOT SCALE DRAWING					TR SERIES (MICRO) SUBMINIATURE JACK TYPE 2		TR2A	E

**Switchcraft**

SHEET 1 OF 1

# Mouser Electronics

Authorized Distributor

Click to View Pricing, Inventory, Delivery & Lifecycle Information:

[Switchcraft:](#)

[TR2A](#)