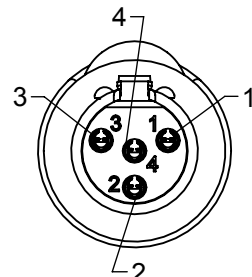
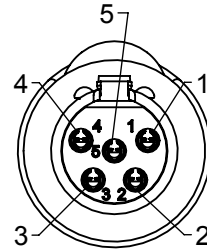


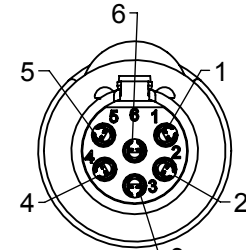
TA3FS SERIES
3 PIN



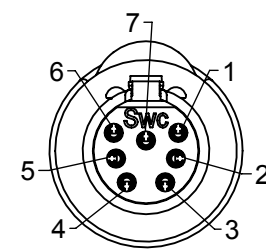
TA4FS SERIES
4 PIN



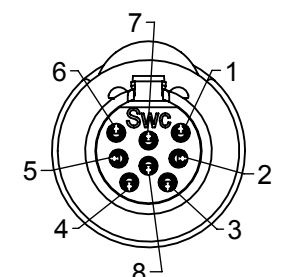
TA5FS SERIES
5 PIN



TA6FS SERIES
6 PIN

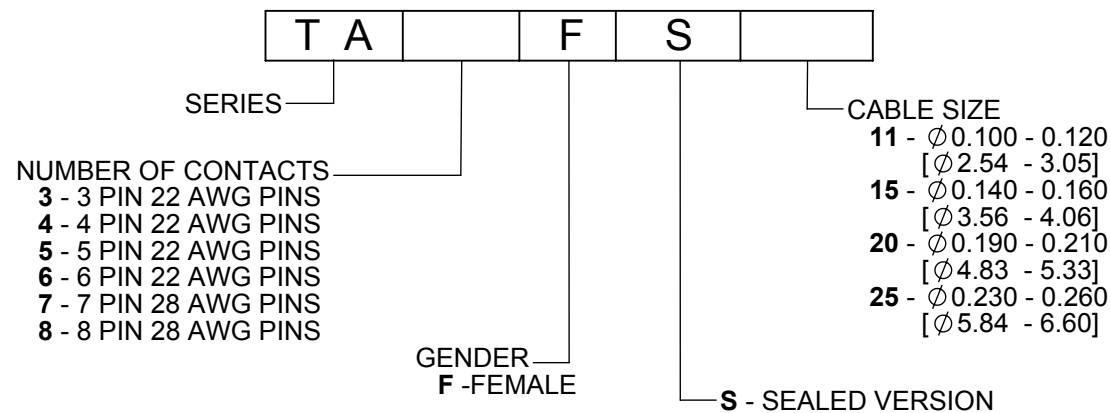


TA7FS SERIES
7 PIN

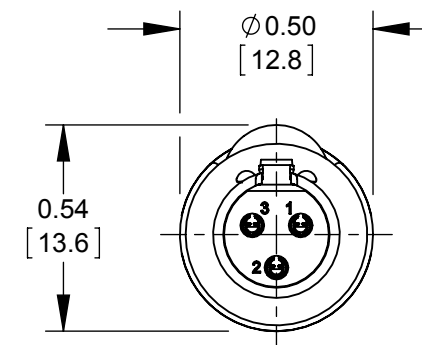
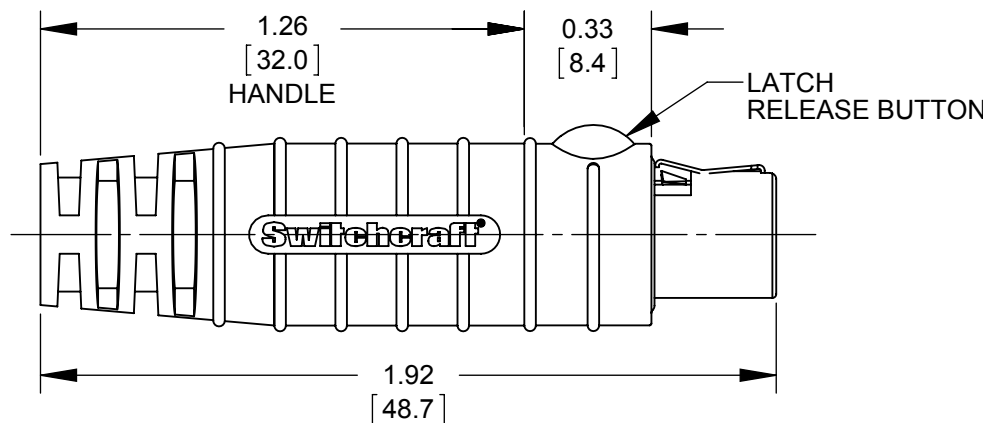
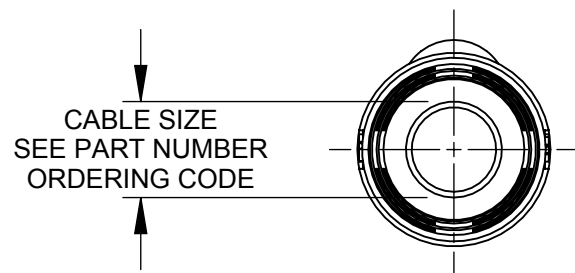
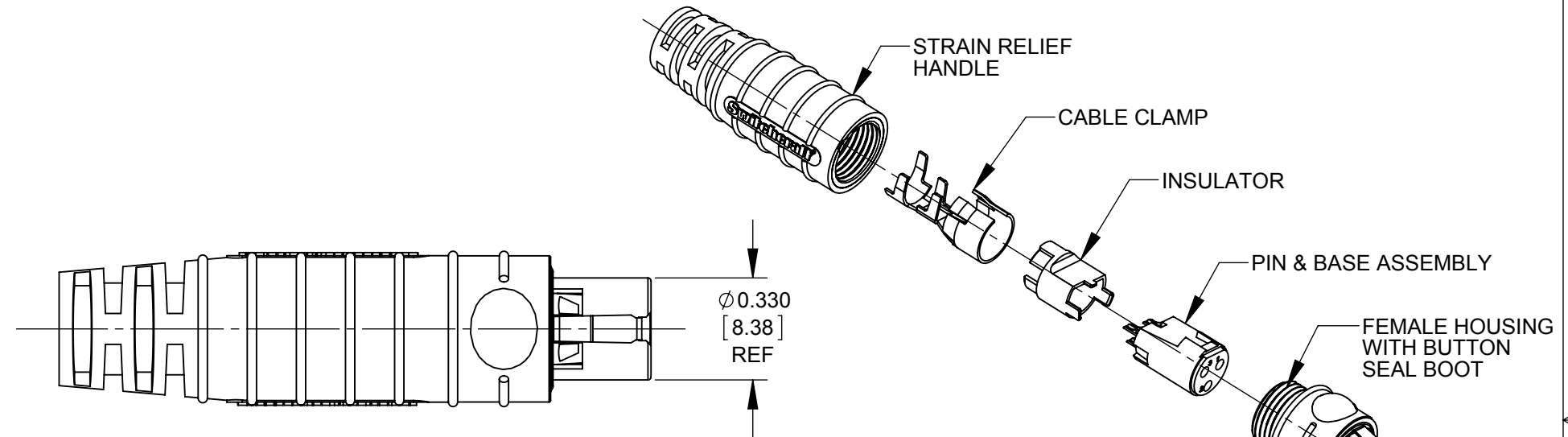


TA8FS SERIES
8 PIN

AS VIEWED FROM FRONT MATING SIDE



PART NUMBER ORDERING CODE



TA3FS SHOWN

CUSTOMER DRAWING

NOTES:

1. MATERIALS:

- HOUSING - COPPER ALLOY, NICKEL PLATED
- PIN CONTACTS - COPPER ALLOY, SILVER PLATED
- LATCH BUTTON - RIGID THERMOPLASTIC, BLACK
- PIN INSULATOR - RIGID THERMOPLASTIC, DARK BROWN
- LATCH SPRING - COPPER ALLOY, NICKEL PLATED
- CABLE CLAMP - STEEL, TIN PLATED
- BUTTON SEAL BOOT - THERMOPLASTIC RUBBER, BLACK
- INSERT MOLDED HANDLE - THERMOPLASTIC RUBBER OVER RIGID THERMOPLASTIC, BLACK

2. THIS PRODUCT IS RoHS COMPLIANT.

					THIS DRAWING DESCRIBES A DESIGN CONSIDERED PROPRIETARY IN NATURE, DEVELOPED AND MANUFACTURED BY SWITCHCRAFT INC. AND IS RELEASED ON A CONFIDENTIAL BASIS FOR IDENTIFICATION PURPOSES ONLY.										
					SIZE	WIDTH	MULT	LBS/M	TEMPER						
					FINISH			MATERIAL							
					SPEC No.			SPEC No.							
					FIRST USED ON		SCALE								
							2:1								
DATE DRAWN		BY	CHKD		APVD										
1/29/13		AB	AB		TJK										
			1/29/13		9-28-15		SHEET 1 OF 1								
REV					ECO NUMBER		DATE		BY	APVD					
REVISIONS					DO NOT SCALE DRAWING					NAME	SEALD TINI Q-G FEMALE, ROHS	PART No.	TA_FS SERIES	REV	B

Mouser Electronics

Authorized Distributor

Click to View Pricing, Inventory, Delivery & Lifecycle Information:

Switchcraft:

[TA6FS11](#) [TA6FS15](#) [TA5FS15](#) [TA5FS11](#) [TA6FS20](#) [TA6FS25](#) [TA8FS20](#) [TA8FS25](#) [TA3FS15](#) [TA3FS11](#) [TA4FS11](#)
[TA4FS15](#) [TA8FS15](#) [TA8FS11](#) [TA5FS25](#) [TA5FS20](#) [TA4FS25](#) [TA3FS20](#) [TA3FS25](#) [TA4FS20](#) [TA7FS11](#) [TA7FS15](#)
[TA7FS25](#) [TA7FS20](#)