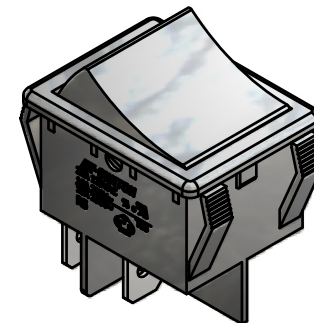
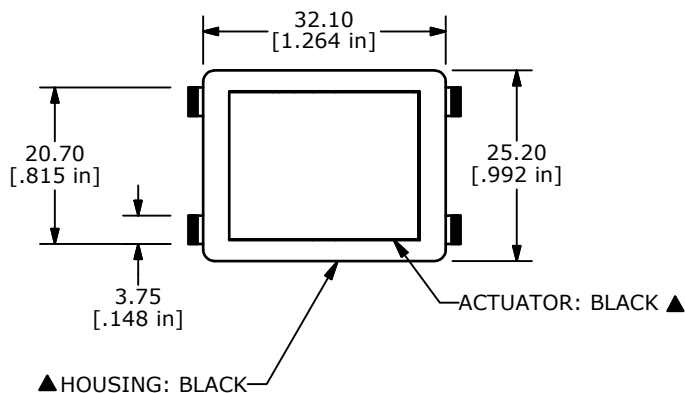
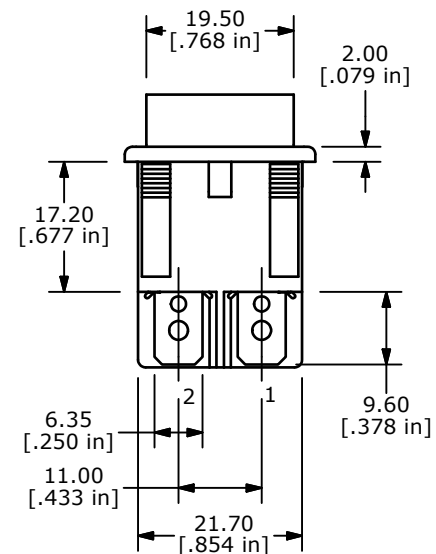
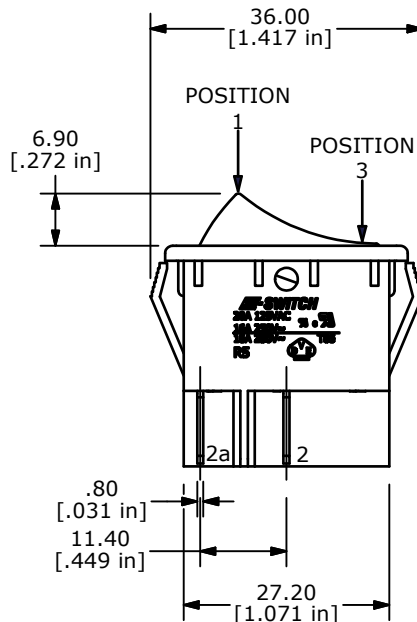
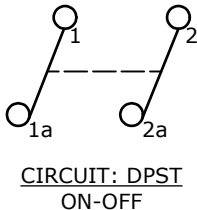


| PANEL THICKNESS | X        |
|-----------------|----------|
| 0.70-1.25       | 30.1±0.1 |
| 1.25-2.00       | 30.3±0.1 |
| 2.00-3.00       | 30.7±0.1 |

RECOMMENDED PANEL MOUNTING



| SWITCH FUNCTION |        |            |
|-----------------|--------|------------|
| POS. 1          | POS. 2 | POS. 3     |
|                 |        |            |
| OFF             | NONE   | ON         |
| OPEN            | N/A    | 1-1a, 2-2a |



NOTES:

- ALL DIMENSIONS IN MM [INCH]
- GENERAL TOLERANCE: X.X=±0.4  
X.XX=±0.25
- TERM. NOS. FOR REF. ONLY
- RATING: 20A @125VAC 3/4HP UL APPROVED  
16A @250VAC 1HP UL APPROVED   
16A @ 250VAC 1HP VDE APPROVED
- ELECTRICAL LIFE: 10,000 CYCLES
- MECHANICAL LIFE: 30,000 CYCLES
- CONTACT RESISTANCE: <20 MILLI-OHMS INITIAL
- DIELECTRIC STRENGTH: >1,500V AC 1MIN
- INSULATION RESISTANCE: >1000MOHMS
- OPERATING TEMP: TERMINAL SIDE: -20°C to 85°C  
ROCKER SIDE: -20°C to 55°C
- ▲DENOTES CRITICAL PARAMETER.
- 2002/95/EC (ROHS) COMPLIANT

|     |        |                                   |            |     |
|-----|--------|-----------------------------------|------------|-----|
| F   | 20125  | ADD HP RATING                     | 08/31/11   | BMA |
| E   | 19762  | UPDATE DRAWING                    | 03/15/11   | BMA |
| D   | 16509  | RATINGS UPDATED, REDRAWN INVENTOR | 10/04/2006 | TN  |
| REV | PCR NO | DESCRIPTION                       | DATE       | BY  |

THE INFORMATION CONTAINED IN THIS DOCUMENT IS PROPRIETARY TO E-SWITCH AND IS NOT TO BE COPIED OR TRANSFERRED



TITLE R5ABLKBLKEF0

|       |           |    |         |     |
|-------|-----------|----|---------|-----|
| SCALE | DATE      | DR | DWG     | REV |
| 1:1   | 6/28/2005 | JB | M050201 | F   |

# Mouser Electronics

Authorized Distributor

Click to View Pricing, Inventory, Delivery & Lifecycle Information:

[E-Switch:](#)

[R5ABLKBLKEF0](#)