

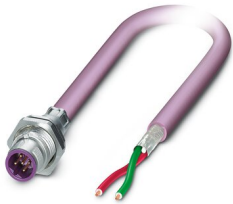
SACCBP-M12MSB-2CON-M16/2,0-910 - Device connector, rear mounting



1534368

<https://www.phoenixcontact.com/us/products/1534368>

Please be informed that the data shown in this PDF document is generated from our Online Catalog. Please find the complete data in the user documentation. Our General Terms of Use for Downloads are valid.



Device connector, rear mounting, PROFIBUS, 2-position halogen-free, red lilac RAL 4001, shielded, Plug, straight, M12, coding: B , on free cable end, Rear mounting, M16 x 1.5, Cable connection, cable length: 2 m, PROFIBUS, Alternative product in accordance with RoHS II without Exemption 6c (Pb <0.1%) item no.: 1239926

Your advantages

- Pre-assembled with cables in various standard lengths for immediate use
- Customer-specific assemblies and cable lengths can be supplied
- Sealed on the cable side for optimum tightness of seal
- Cable designs for all common networks and fieldbuses
- For high transmission safety: shield connection to the housing with optional EMC nut

Commercial Data

Item number	1534368
Packing unit	1 pc
Minimum order quantity	1 pc
Sales Key	AB25
Product Key	ABQCEC
Catalog Page	Page 426 (C-2-2019)
GTIN	4046356026536
Weight per Piece (including packing)	141.8 g
Weight per Piece (excluding packing)	139.5 g
Customs tariff number	85444290
Country of origin	DE

SACCBP-M12MSB-2CON-M16/2,0-910 - Device connector, rear mounting

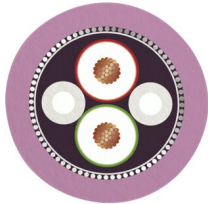
1534368

<https://www.phoenixcontact.com/us/products/1534368>

Technical Data

Cable/line

PROFIBUS [910]

Dimensional drawing	
Cable weight	90 kg/km
UL AWM Style	21198 (80°C/300 V)
Number of positions	2
Shielded	yes
Cable type	PROFIBUS [910]
Conductor structure	1x2xAWG24/19
Conductor structure signal line	19x 0.13 mm
AWG signal line	24
Conductor cross section	2x 0.25 mm ² (Signal line)
Wire diameter incl. insulation	2.55 mm ±0.07 mm
External cable diameter	7.8 mm ±0.2 mm
Outer sheath, material	PUR
External sheath, color	red lilac RAL 4001
Conductor material	Tin-plated Cu litz wires
Material, filler	PP
Material wire insulation	Foam-Skin PP
Single wire, color	Red, green
Overall twist	2 cores with 2 fillers to the core
Optical shield covering	85 %
Max. conductor resistance	≤ 78.6 Ω/km
Insulation resistance	≥ 5 GΩ*km
Wave impedance	150 Ω ±10 % (3 MHz ... 20 MHz)
Cable capacity	nom. 30 pF/m
Nominal voltage, cable	300 V
Test voltage Core/Core	1500 V (50 Hz, 1 min.)
Test voltage Core/Shield	1500 V (50 Hz, 1 min.)
Smallest bending radius, fixed installation	40 mm
Smallest bending radius, movable installation	65 mm
Max. bending cycles	4000000

SACCBP-M12MSB-2CON-M16/2,0-910 - Device connector, rear mounting



1534368

<https://www.phoenixcontact.com/us/products/1534368>

	5000000
Shield attenuation	≤ 0.049 dB/m (at 16 MHz)
Halogen-free	in accordance with DIN VDE 0472 part 815 according to IEC 60754-1
Flame resistance	UL 1581, Section 1060 and UL 2556, Section 9.3 (FT1) UL 1581, Section 1100 and UL 2556, Section 9.1 (HFT/FT2) IEC 60332-1-2
Other resistance	Low adhesion
Ambient temperature (operation)	-40 °C ... 80 °C (cable, fixed installation) -30 °C ... 70 °C (Cable, flexible installation) -20 °C ... 60 °C (for installation) -20 °C ... 60 °C (cable, drag chain applications)

SACCBP-M12MSB-2CON-M16/2,0-910 - Device connector, rear mounting

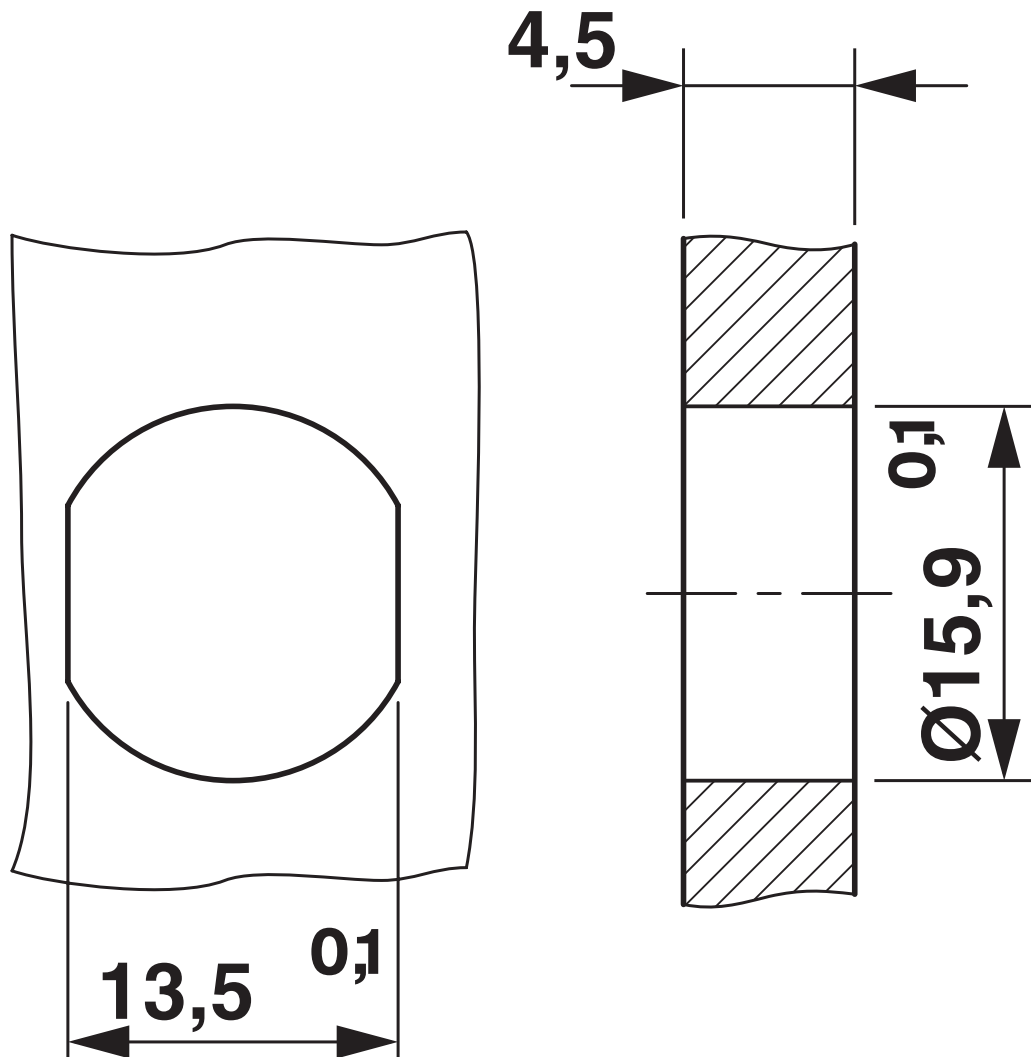


1534368

<https://www.phoenixcontact.com/us/products/1534368>

Drawings

Dimensional drawing



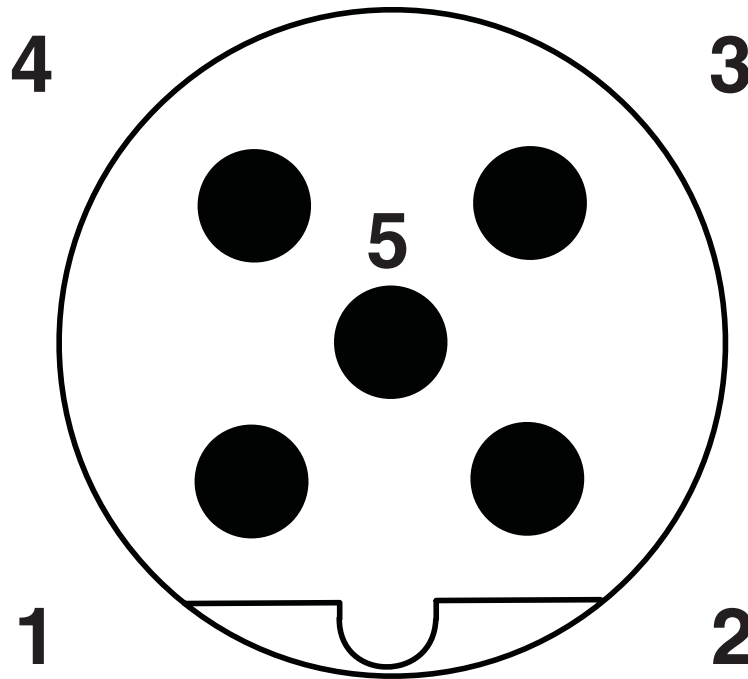
Housing cutout for M16 fastening thread, mounting panel with feed-through hole (alternatively with surface as protection against rotation)

SACCBP-M12MSB-2CON-M16/2,0-910 - Device connector, rear mounting

1534368

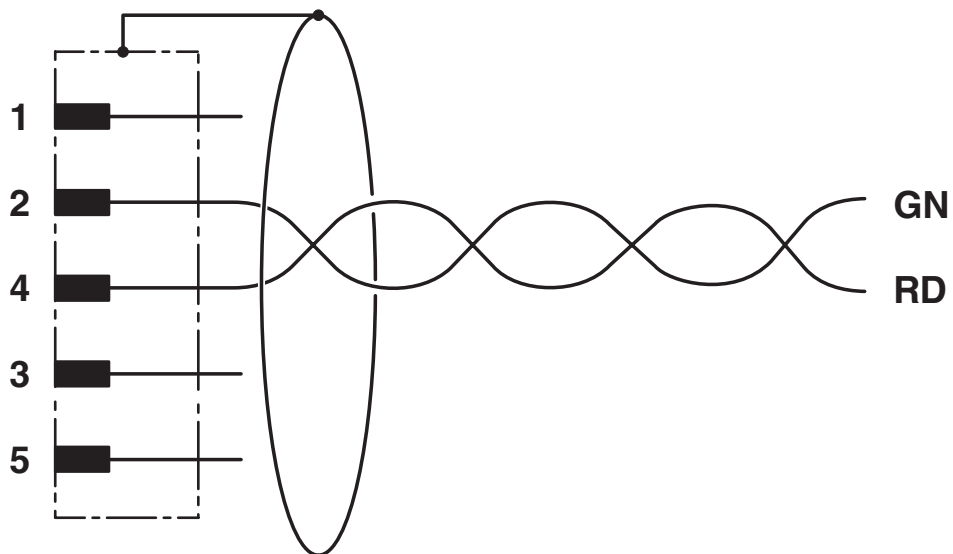
<https://www.phoenixcontact.com/us/products/1534368>

Schematic diagram



Pin assignment M12 male connector, 5-pos., B-coded, male side

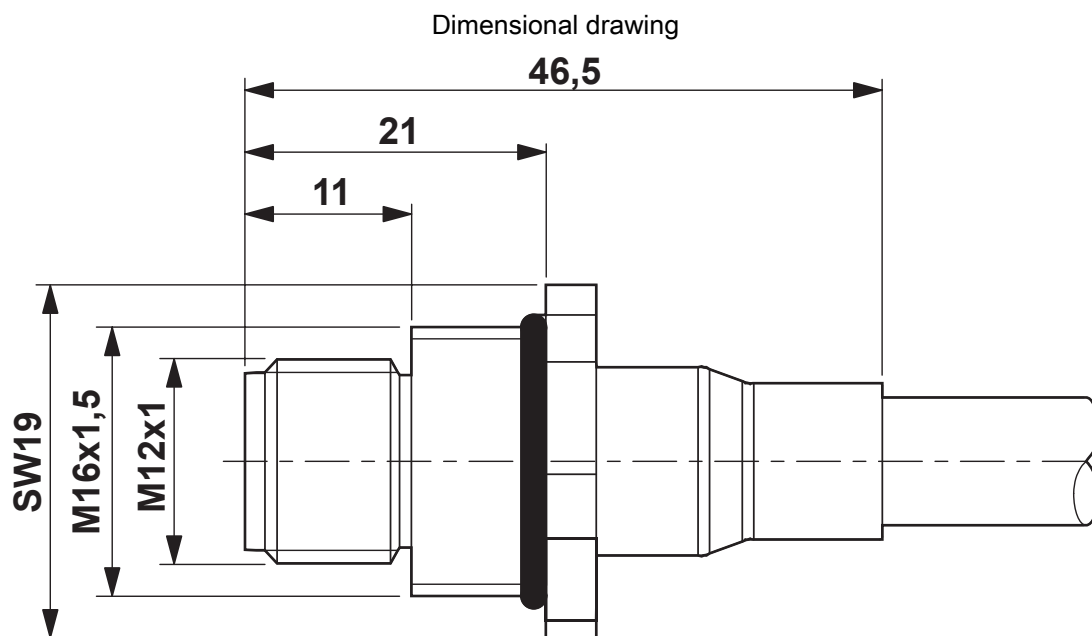
Circuit diagram



SACCBP-M12MSB-2CON-M16/2,0-910 - Device connector, rear mounting

1534368

<https://www.phoenixcontact.com/us/products/1534368>



SACCBP-M12MSB-2CON-M16/2,0-910 - Device connector, rear mounting



1534368

<https://www.phoenixcontact.com/us/products/1534368>

Approvals



EAC

Approval ID: B.01687



cUL Recognized

Approval ID: E221474-20220908



UL Recognized

Approval ID: E221474-20220908

SACCBP-M12MSB-2CON-M16/2,0-910 - Device connector, rear mounting



1534368

<https://www.phoenixcontact.com/us/products/1534368>

Classifications

ECLASS

ECLASS-11.0	27440102
ECLASS-12.0	27440116
ECLASS-13.0	27440116

ETIM

ETIM 8.0	EC002635
----------	----------

UNSPSC

UNSPSC 21.0	39121400
-------------	----------

SACCBP-M12MSB-2CON-M16/2,0-910 - Device connector, rear mounting



1534368

<https://www.phoenixcontact.com/us/products/1534368>

Environmental Product Compliance

REACH SVHC	Lead 7439-92-1
China RoHS	Environmentally Friendly Use Period = 50 years
	For information on hazardous substances, refer to the manufacturer's declaration available under "Downloads"

Phoenix Contact 2023 © - all rights reserved
<https://www.phoenixcontact.com>

Phoenix Contact USA
586 Fulling Mill Road
Middletown, PA 17057, United States
(+717) 944-1300
info@phoenixcon.com